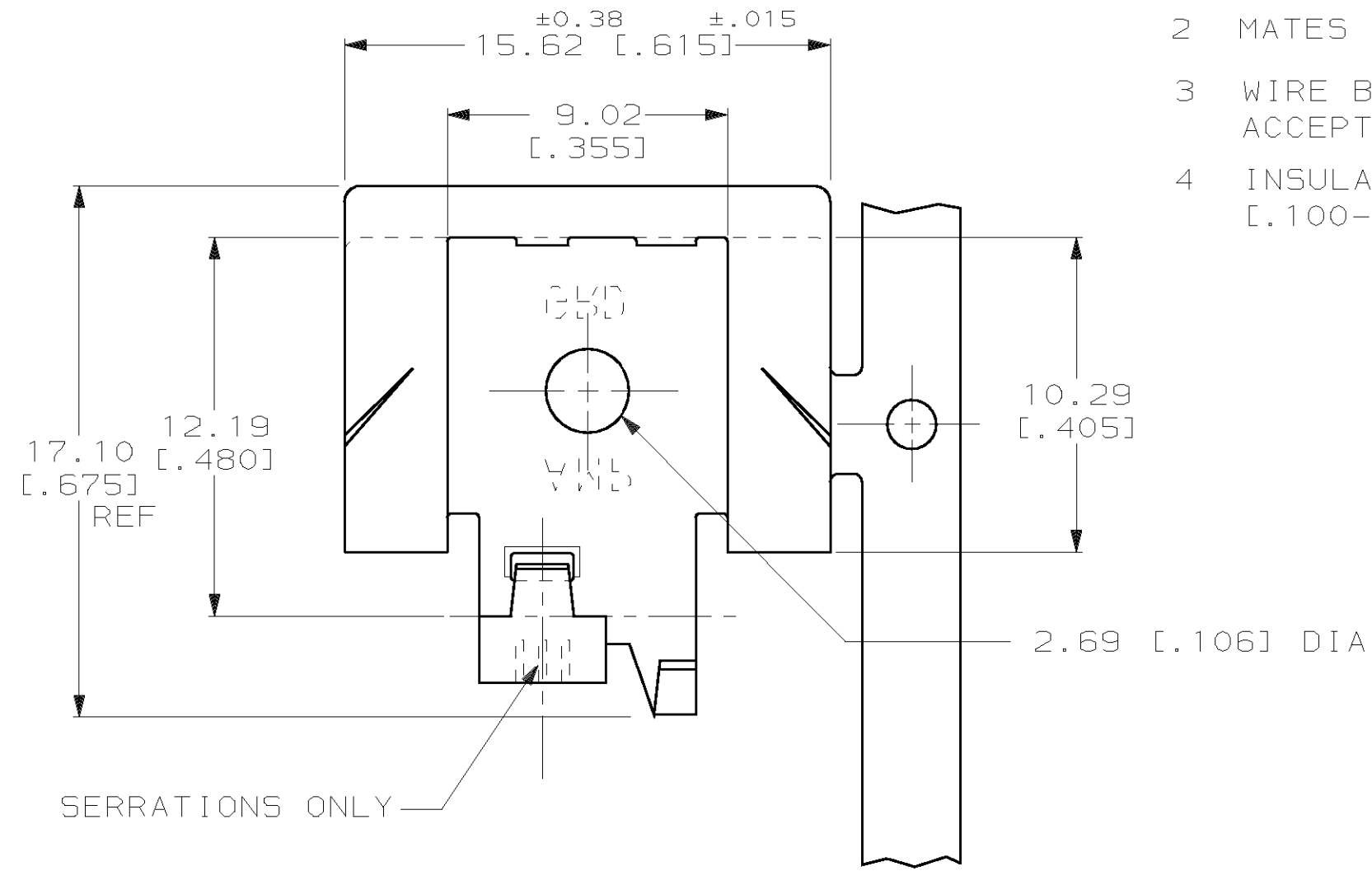
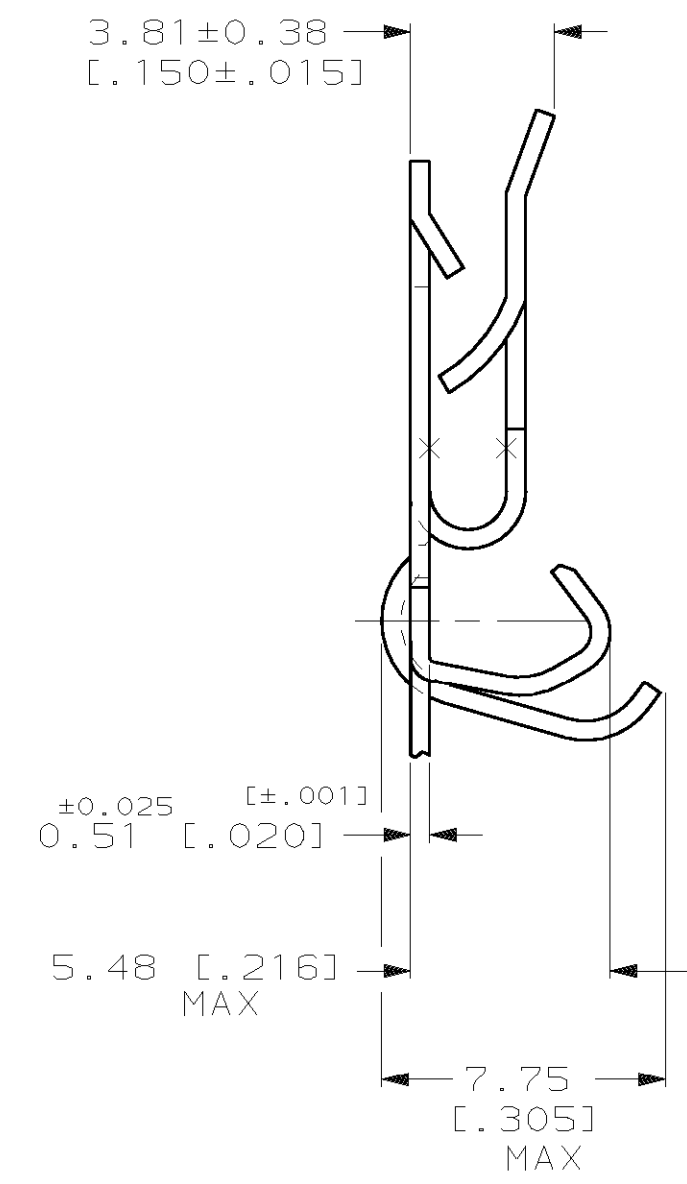


THIS DRAWING IS UNPUBLISHED. RELEASED FOR PUBLICATION, 19 .
 © COPYRIGHT 19 BY AMP INCORPORATED. ALL INTERNATIONAL RIGHTS RESERVED.

LOC	DIST	P	F	REVISIONS			DATE	APPD
AF	50			ZONE	LTR	DESCRIPTION		
					A	REL PER 0G3A-0324-00	17MAY00	JR/EH

- 1 CONTINUOUS STRIP ON REELS.
- 2 MATES WITH .019-.071 THK PANEL.
- 3 WIRE BBL IS PRE-CRIMPED AND ACCEPTS A [#18-#14] AWG.
- 4 INSULATION RANGE IS 2.54-3.56 [.100-.140] DIA.



1217372-1
 PART NO

DO NOT SCALE PRINT. UNLESS SPECIFIED DIMENSIONS IN mm [INCHES] TOLERANCES ON: 2 PLC DEC ± 0.25 [.010] 3 PLC DEC ± - ANGLES ± -	DR 23MAR00 JR RUTH	AMP AMP INCORPORATED Harrisburg, Pa. 17105		
	CHK 23MAR00 MS FEHER			
	APPD 23MAR00 E HOWARD	NAME		
	APPD 23MAR00 D ROTELL	CLIP, GROUNDING, PREFORM		
MATERIAL 1/2 HARD STAINLESS STEEL	PRODUCT SPEC -	SIZE B	CAGE CODE 00779	DRAWING NO 1217372
FINISH -	APPLICATION SPEC -	SCALE 5:1	SHEET 1 OF 1	
	WEIGHT -			