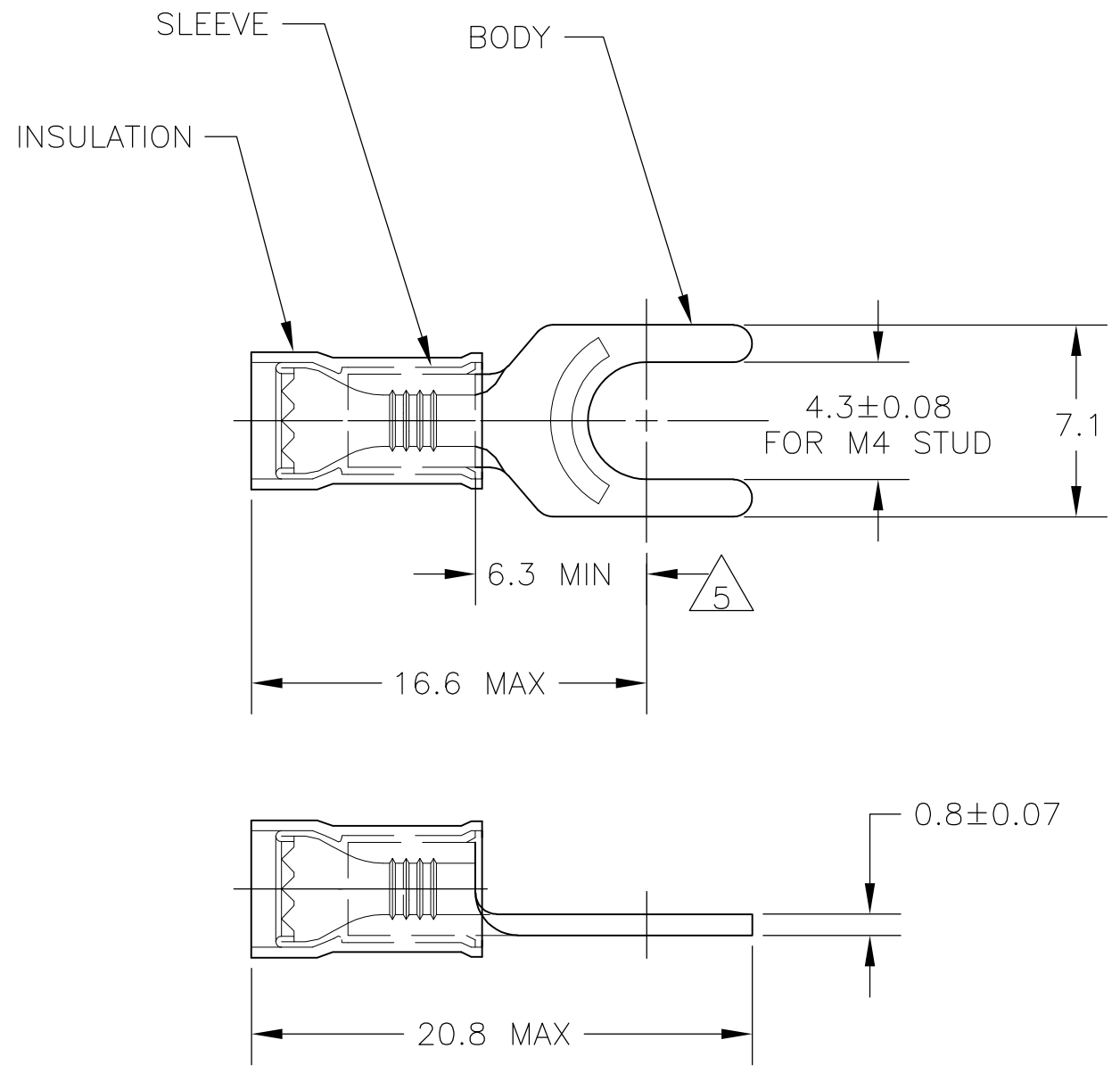


THIS DRAWING IS UNPUBLISHED. RELEASED FOR PUBLICATION
 © COPYRIGHT BY TYCO ELECTRONICS CORPORATION. ALL RIGHTS RESERVED.

| LOC | DIST | REVISIONS | | | | | |
|-----|------|-----------|-----|---------------------------|---------|-----|------|
| | | P | LTR | DESCRIPTION | DATE | DWN | APVD |
| G | 14 | | F1 | REVISED PER ECR-09-009722 | 05MAY09 | HMR | TM |
| | | | F2 | REVISED PER ECO-09-020935 | 29AUG09 | KK | AEG |



AMP
WIRE RANGE

22-16 AWG
SOLID OR STRANDED

- 1 STAMP "AMP 22-16*", APPROX AS SHOWN
- 2 WIRE INSULATION DIA: SEE TABLE
- 3 BODY & SLEEVE: TIN PLATE PER ASTM B545,
- 4 BODY & SLEEVE- CU PER ASTM B152
INSULATION - NYLON, COLOR - RED
- 5 APPLIES FROM EDGE OF METAL WIRE BARREL TO CENTER OF STUD HOLE.
- 6 UL LISTED E13288, 22-16 AWG, SOLID OR STRANDED.
- 7 OBSOLETE PARTS: OBSOLETE CIS STREAMLINING PER D.RENAUD/D.SINISI

| | | | | | |
|-----------|----------|---------------------|-------------|---------------|-------------|
| 7 | OBSOLETE | 6 | 2.0mm-3.2mm | ON TAPE, REEL | -2-130516-1 |
| 7 | OBSOLETE | 6 | 2.0mm-3.2mm | LOOSE PIECE | 130516-2 |
| 7 | OBSOLETE | --- | 3.0mm-3.9mm | LOOSE PIECE | 130516-1 |
| | | 6 | 2.0mm-3.2mm | LOOSE PIECE | 130516 |
| APPROVALS | | WIRE INSULATION DIA | | PACKAGE TYPE | PART NO |

AMP INCORPORATED
CUSTOMER SERVICE SYSTEMS

FOR ADDITIONAL PRODUCT INFORMATION OR COPIES OF DRAWINGS AND TECHNICAL DOCUMENTS
 PRODUCT INFORMATION CENTER
 1-800-522-6752

FOR APPLICATION TOOLING ASSISTANCE CENTER
 TOOLING INFORMATION
 1-800-722-1111

FOR ORDER ENTRY
 1-800-526-5142

MAX RECOMMENDED OPERATING TEMPERATURE:
105°C MAX

VOLTAGE RATING:
300 V MAX

CIRCULAR MIL AREA:
0.26-1.65mm² [509-3,260]
SOLID OR STRANDED

THIS DRAWING IS A CONTROLLED DOCUMENT FOR AMP INCORPORATED. IT IS SUBJECT TO CHANGE AND THE CONTROLLING ENGINEERING ORGANIZATION SHOULD BE CONTACTED FOR THE LATEST REVISION.

THIS DRAWING IS A CONTROLLED DOCUMENT.

DIMENSIONS: MM INCHES

TOLERANCES UNLESS OTHERWISE SPECIFIED:

| | |
|--------|-------|
| 0 PLC | ± - |
| 1 PLC | ± 0.2 |
| 2 PLC | ± - |
| 3 PLC | ± - |
| 4 PLC | ± - |
| ANGLES | ± - |
| FINISH | ± - |

MATERIAL: - 4

DWN JR RUTH 08NOV05
 CHK T MICHIELUTTI 08NOV05
 APVD T MICHIELUTTI 08NOV05

Tyco Electronics
 Tyco Electronics Corporation
 Harrisburg, PA 17105-3608

NAME: TERMINAL, SPADE TONGUE, P.I.D.G.
 WIRE SIZE: 22-16 AWG

SIZE: A3 CAGE CODE: 00779 DRAWING NO: C-130516 RESTRICTED TO: -

SCALE: 4:1 SHEET: 1 OF 1 REV: F2

CUSTOMER DRAWING