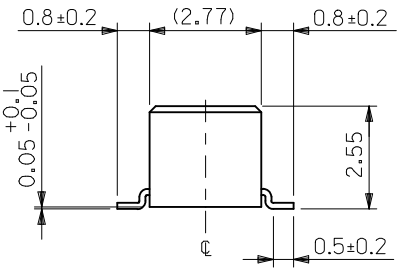
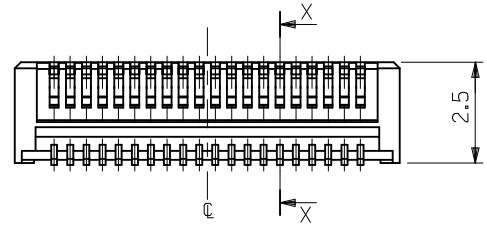


参考基板レイアウト (マウント面)
 RECOMMENDED P.C. BOARD
 PATTERN DIMENSION. (REF.)
 (MOUNTING AREA)

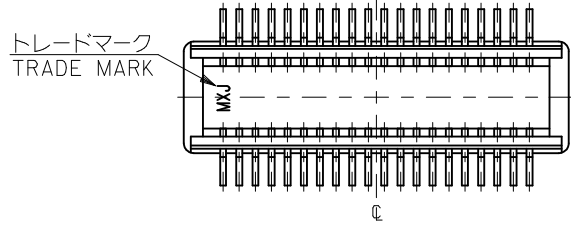


注記 NOTES:

- 使用材料 MATERIAL
 ウエハー: 液晶ポリマー ガラス充填 UL94V-0 茶色
 WAFER: LIQUID CRYSTAL POLYMER
 GLASS FILLED UL94V-0
 COLOR BROWN
 ピン: リン青銅 (t=0.15)
 PIN: PHOSPHOR BRONZE (t=0.15)
- メッキ仕様 PLATING
 金メッキ 0.25 マイクロメートル以上 (コンタクト部)
 GOLD 0.25MICROMETER MINIMUM (CONTACT AREA)
 金メッキ 0.4 マイクロメートル以下 (テール部)
 GOLD 0.4MICROMETER MAXIMUM (TAIL AREA)
 下地メッキ: ニッケルメッキ 1.5 マイクロメートル以上
 UNDER PLATING: NICKEL 1.5MICROMETER MINIMUM

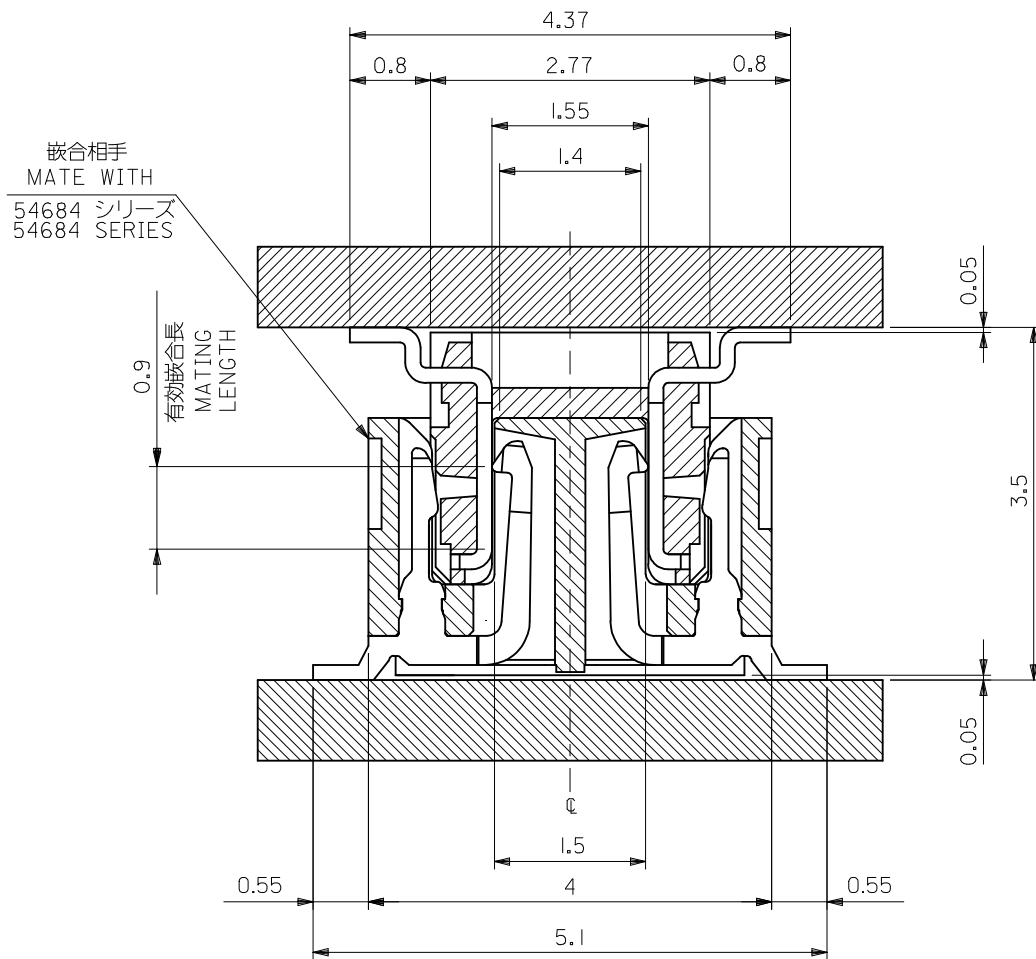
- (全極数/2) = 偶数の場合に適用。
 APPLY FOR (CIRCUIT/2) = EVEN.
- 嵌合相手: 54684 シリーズ
 MATE WITH: 54684 SERIES.
- テール平坦度は、0.08 以下
 TAIL COPLANARITY TO BE 0.08 MAXIMUM.

無鉛
 LEAD FREE



16.62	15.6	17.55	55526-0807	80
C	B	A	MATERIAL NO. CIRCUIT	

MATERIAL 材料 注記参照 SEE NOTES	REVISED EC NO: J2016-0892 DRWN: Y. SHIDA 2016/02/22 CHKD: K. TANAKA 03 2016/02/22 APP: K. MORIKAWA 2016/02/29	GENERAL TOLERANCES (UNLESS SPECIFIED)		DIMENSION STYLE MM ONLY		SCALE ---	DESIGN UNITS METRIC	MODEL NO. 55526-***7	
		0.25 UNDER	UNDER	±0.03	DRAWN BY S. AIHARA	DATE 1999/10/02	TITLE 0.4MM B-TO-B CONN PLUG NO BOSS (HGT=3.5MM)	THIRD ANGLE PROJECTION	
FINISH 仕上げ 注記参照 SEE NOTES	D	0.25 OVER	0.5 UNDER	±0.05	CHECKED BY T. ITO	DATE 2002/03/11	SD-55526-003 SHEET NO. 1 OF 2		
		0.5 OVER	1.0 UNDER	±0.1	APPROVED BY T. YAMAGU	DATE 2002/03/11			
		1.0 OVER	10 UNDER	±0.2	MATERIAL NO.		DOCUMENT NO.		
		10 OVER	30 UNDER	±0.25	SEE CHART				
		30 OVER		±0.3	THIS DRAWING CONTAINS INFORMATION THAT IS PROPRIETARY TO MOLEX ELECTRONIC TECHNOLOGIES, LLC AND SHOULD NOT BE USED WITHOUT WRITTEN PERMISSION				
		ANGULAR ±3 °							
		DRAFT WHERE APPLICABLE MUST REMAIN WITHIN DIMENSIONS			SIZE A3				

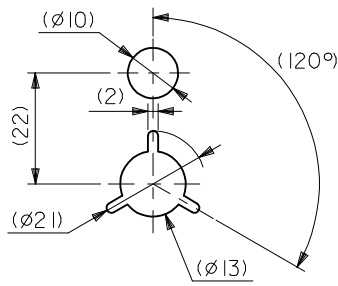
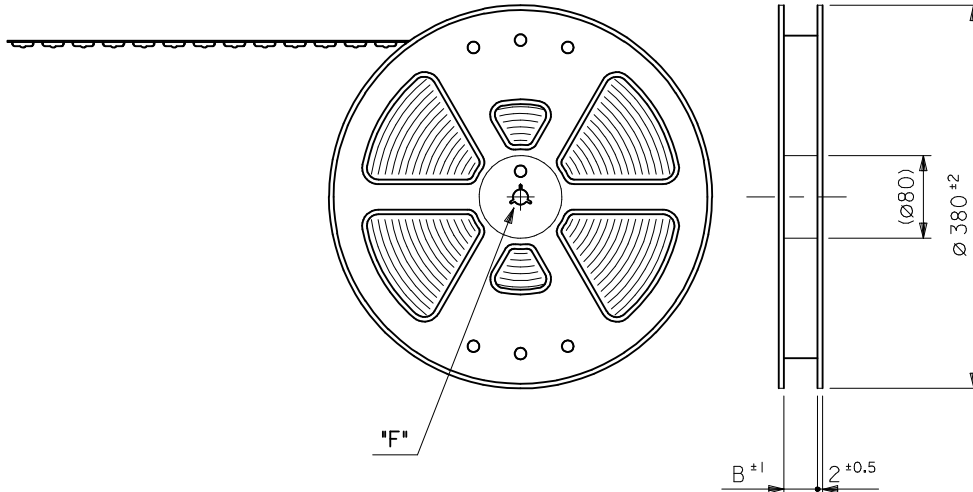


嵌合断面図 (参考)
MATED DRAWING (REF.)

無鉛
LEAD FREE

MATERIAL 材料	REVISED EC NO: J2016-0892 DRWN: Y. SHIDA 2016/02/22 CHKD: K. TANAKA 03 2016/02/22 APPR: K. MORIKAWA 2016/02/29	GENERAL TOLERANCES (UNLESS SPECIFIED)		DIMENSION STYLE MM ONLY		SCALE ---	DESIGN UNITS METRIC	MODEL NO. 55526-***7
		0.25 UNDER UNDER ±---	0.25 OVER 0.5 UNDER ±---	DRAWN BY S. AIHARA	DATE 1999/10/02	TITLE 0.4MM B-TO-B CONN PLUG NO BOSS (HGT=3.5MM)		
		0.5 OVER 1.0 UNDER ±---	1.0 OVER 10 UNDER ±---	CHECKED BY T. ITO	DATE 2002/03/11	DOCUMENT NO. SD-55526-003		
		10 OVER 30 UNDER ±---	30 OVER ±---	APPROVED BY T. YAMAGU	DATE 2002/03/11	SHEET NO. 2 OF 2		
SHEET 1 OF 2 参照 REFER TO SHEET 1 OF 2		ANGULAR ±3 °		SEE CHART		THIS DRAWING CONTAINS INFORMATION THAT IS PROPRIETARY TO MOLEX ELECTRONIC TECHNOLOGIES, LLC AND SHOULD NOT BE USED WITHOUT WRITTEN PERMISSION		
DRAFT WHERE APPLICABLE MUST REMAIN WITHIN DIMENSIONS		SIZE A3						

引き出し方向
PULL OUT
DIRECTION

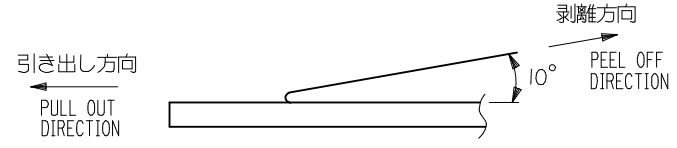


DETAIL "F"

NOTES

- 製品詳細寸法については図面 SD-55526-003 を参照下さい。
RE DETAILED DIMENSION, SEE SD-55526-003
- 梱包数量：1500個/リール
NUMBER OF CONNECTORS : 1500PCS/REEL
- リードテープ長さ LEAD TAPE LENGTH
- トップテープの剥離強度：0.1N ~ 0.7N(10.2gf ~ 71.4gf)
(剥離方向は下図参照)
尚、本規格値は出荷時に適用。(但し、輸送時に剥離が発生しないこと。)
PEELING OFF FORCE OF TOP TAPE : 0.1N ~ 0.7N(10.2gf ~ 71.4gf)
(PEELING DIRECTION AS SHOWN IN FOLLOWING FIG,)
THIS REQUIREMENT SHOULD BE APPLIED AT SHIPMENT.
PEEL OFF SHOULD NOT BE ALLOWED , DURING TRANSPORTATION.

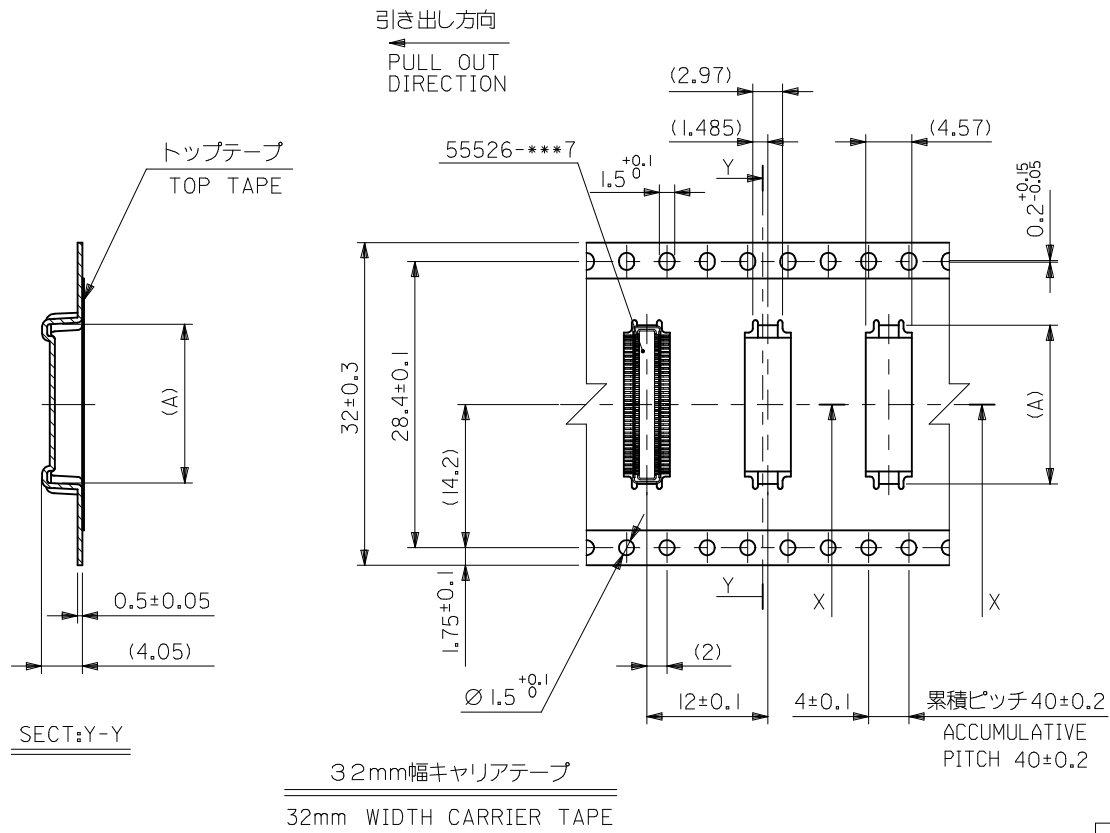
引き出し方向
PULL OUT
DIRECTION



- 材料(MATERIAL)
キャリアテープ(CARRIER TAPE): ポリプロピレン(POLYPROPYLENE)
トップテープ(TOPTAPE): PET, PE, PEF
リール(REEL): ポリスチレン(P.S) <リサイクル材を含む>
POLYSTYREN(PS) <RECYCLE MATERIAL CONTAINED>

無鉛
LEAD FREE

MATERIAL 材料	注記参照 SEE NOTES	REVISED EC NO: J2012-0554 DRWN: YON002 2011/09/08 CHKD: TASAKAWA 2011/09/08 APPR: MSASAO 2012/07/06	GENERAL TOLERANCES (UNLESS SPECIFIED)		DIMENSION STYLE MM ONLY		SCALE ---	DESIGN UNITS METRIC	MODEL NO. 55526-***8	
			10 UNDER	±0.2	DRAWN BY S. AIHARA	DATE 1999/10/02	TITLE 0.4MM B-TO-B CONN PLUG NO BOSS (HGT=3.5MM) EMBSTP PKG			
			10 OVER 30 UNDER	±0.25	CHECKED BY T. ITO	DATE 2002/03/11				
			30 OVER	±0.3	APPROVED BY T. YAMAGU	DATE 2002/03/11				
ANGULAR ±3 °			DRAFT WHERE APPLICABLE MUST REMAIN WITHIN DIMENSIONS		MATERIAL NO. SEE CHART		DOCUMENT NO. SD-55526-004	SHEET NO. 1 OF 3		



無鉛
LEAD FREE

32	33.5	17.75	55526-0808	80
キャリアテープ幅 CARRIER TAPE WIDTH	B	(A)	MATERIAL NO.	極数 CKT.

MATERIAL
材料

SHEET 1 OF 3 参照
REFER TO SHEET 1 OF 3

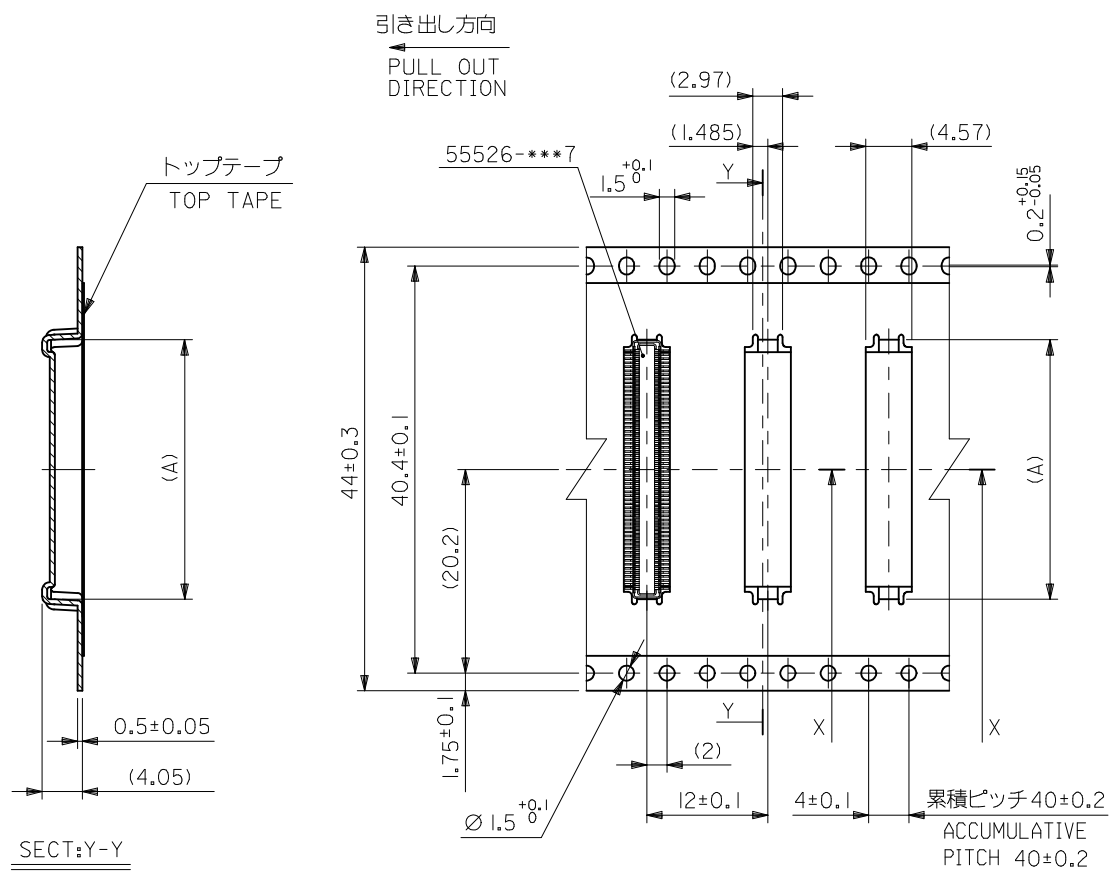
REVISED	EC NO: J2012-0554	2011/09/08	GENERAL TOLERANCES (UNLESS SPECIFIED)
DRWN: YON002	2011/09/08	10 UNDER	±0.2
CHKD: TASAKAWA	2011/09/08	10 OVER 30 UNDER	±0.25
APPR: MSASAO	2012/07/06	30 OVER	±0.3
DESCRIPTION		ANGULAR	±3 °
REV		DRAFT WHERE APPLICABLE MUST REMAIN WITHIN DIMENSIONS	

DIMENSION STYLE MM ONLY		SCALE ---	DESIGN UNITS METRIC
DRAWN BY T. TSUBOI	DATE 2002/03/11	TITLE	
CHECKED BY T. ITO	DATE 2002/03/11	0.4MM B-TO-B CONN PLUG NO BOSS (HGT=3.5MM) EMBSTP PKG	
APPROVED BY T. YAMAGU	DATE 2002/03/11	molex	
MATERIAL NO.	SEE CHART	DOCUMENT NO. SD-55526-004	SHEET NO. 2 OF 3

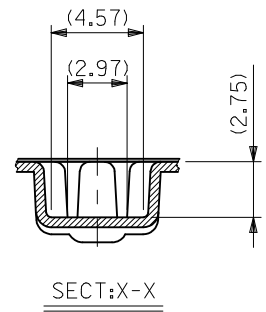
MODEL NO. 55526-***8

THIRD ANGLE PROJECTION

THIS DRAWING CONTAINS INFORMATION THAT IS PROPRIETARY TO MOLEX
INCORPORATED AND SHOULD NOT BE USED WITHOUT WRITTEN PERMISSION



44mm幅キャリアテープ
44mm WIDTH CARRIER TAPE



無鉛
LEAD FREE

44	45.5	25.75	55526-1208	I20
キャリアテープ幅 CARRIER TAPE WIDTH	B	(A)	MATERIAL NO.	極数 CKT.

MATERIAL
材料

SHEET 1 OF 3 参照
REFER TO SHEET 1 OF 3

REVISED	EC NO: J2012-0554	2011/09/08	2011/09/08	2012/07/06
DRWN: YONOO2	CHKD: TASAKAWA	APPR: MSASAO	DESCRIPTION	
REV	10 UNDER	±0.2	GENERAL TOLERANCES (UNLESS SPECIFIED)	
	10 OVER 30 UNDER	±0.25	DIMENSION STYLE	
	30 OVER	±0.3	MM ONLY	
	ANGULAR	±3 °	SCALE	
	DRAFT WHERE APPLICABLE	MUST REMAIN WITHIN DIMENSIONS	---	

DRAWN BY	DATE	TITLE
S. AIHARA	1999/10/02	
CHECKED BY	DATE	
T. ITO	2002/03/11	
APPROVED BY	DATE	
T. YAMAGU	2002/03/11	
MATERIAL NO.	SEE CHART	
SIZE	A3	

MODEL NO.	55526-***8	THIRD ANGLE PROJECTION
0.4MM B-TO-B CONN PLUG NO BOSS (HGT=3.5MM) EMBSTP PKG		
molex		
DOCUMENT NO.	SD-55526-004	SHEET NO.
		3 OF 3
THIS DRAWING CONTAINS INFORMATION THAT IS PROPRIETARY TO MOLEX INCORPORATED AND SHOULD NOT BE USED WITHOUT WRITTEN PERMISSION		