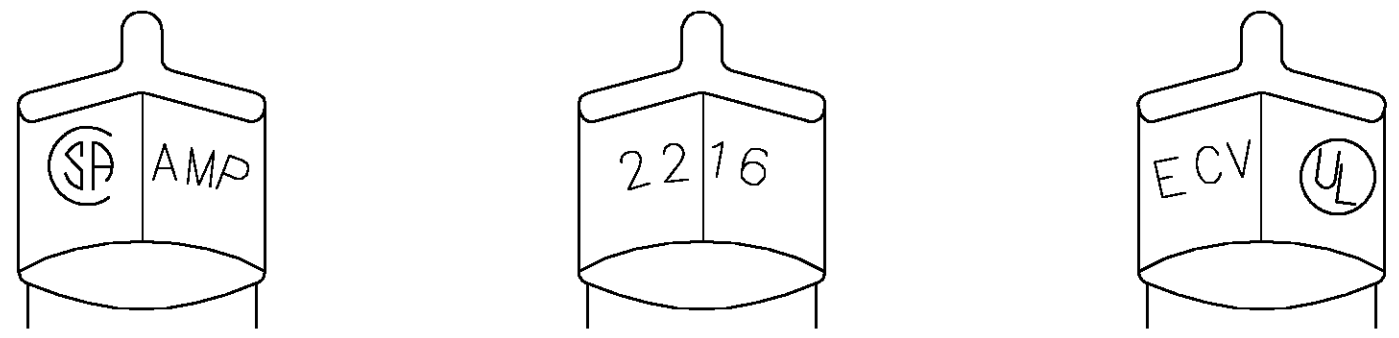


THIS DRAWING IS UNPUBLISHED. RELEASED FOR PUBLICATION
 © COPYRIGHT BY TYCO ELECTRONICS CORPORATION. ALL RIGHTS RESERVED.

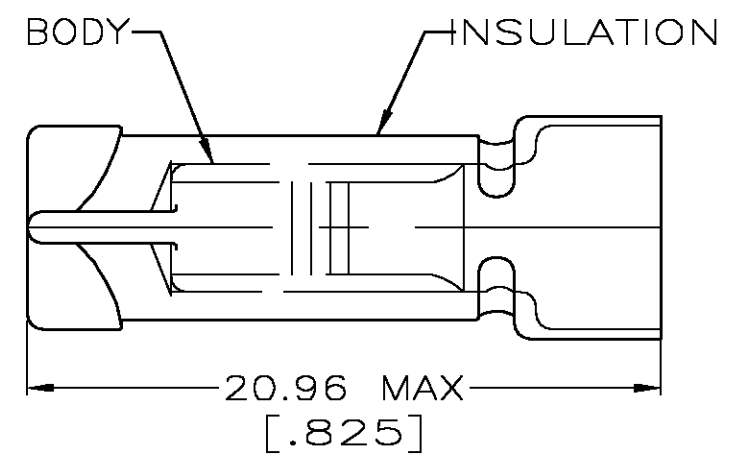
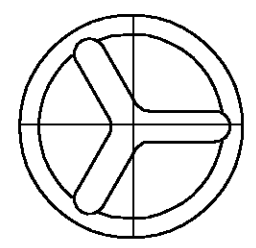
LOC	DIST	REVISIONS					
		P	LTR	DESCRIPTION	DATE	DWN	APVD
G	14		Y	REV PER 0G3A-0256-04	12APR04	JR	TM

- △1 FOR 6.73 [.265] MAX WIRE INSULATION DIA
- △2 MATERIAL: BODY; STEEL
INSULATION; PVC
COLOR; TRANSLUCENT
- △3 FINISH: BODY; TIN PL. PER ASTM B545



STAMPING DETAIL

AMP WIRE RANGE	Listed	LR7189 Certified
22-16 AWG SOLID OR STRANDED	22-16 AWG SOLID OR STRANDED	22-16 AWG SOLID OR STRANDED



QTY	DESCRIPTION	PART NO
100	LOOSE PC,BOX	8-330021-1
2500	TAPE MOUNTED	1-330021-0
-	LOOSE PIECE	330021

AMP INCORPORATED CUSTOMER SERVICE SYSTEMS	
FOR ADDITIONAL PRODUCT INFORMATION OR COPIES OF DRAWINGS AND TECHNICAL DOCUMENTS	PRODUCT INFORMATION CENTER 1-800-522-6752
FOR APPLICATION TOOLING INFORMATION	TOOLING ASSISTANCE CENTER 1-800-722-1111
FOR ORDER ENTRY	1-800-526-5142

MAX RECOMMENDED OPERATING
TEMPERATURE:
105° C MAX

VOLTAGE RATING:
600V MAX (BUILDING & WIRING)
1000V MAX (FIXTURES & SIGNS)

CIRCULAR MIL AREA:
1.65-2.47mm² [3248-4872]
SOLID OR STRANDED

THIS DRAWING IS A CONTROLLED DOCUMENT.

DIMENSIONS: INCHES	TOLERANCES UNLESS OTHERWISE SPECIFIED:
	0 PLC ± - 1 PLC ± - 2 PLC ± 0.20 [.008] 3 PLC ± - 4 PLC ± - ANGLES ± -
MATERIAL	FINISH
- △2	- △3

DWN G KRUPER 1/93		Tyco Electronics Corporation Harrisburg, Pa 17105-3608	
CHK R HERSEY 1/93		NAME SPLICE, WIRE, CLOSED END	
APVD M ELLIS 1/93		SIZE A3	CAGE CODE 00779
PRODUCT SPEC -	RESTRICTED TO -	SCALE 4:1	
APPLICATION SPEC -	SHEET 1 OF 1		REV Y
WEIGHT -	CUSTOMER DRAWING		