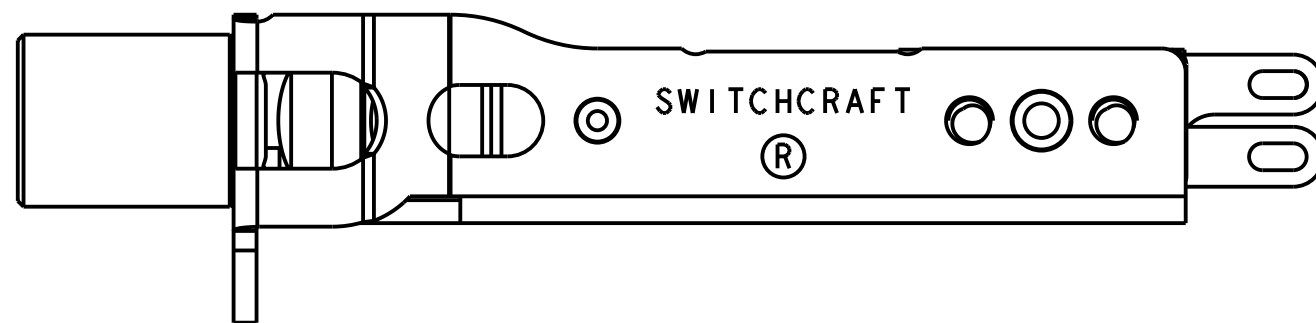
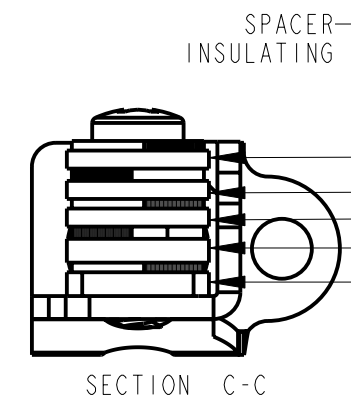
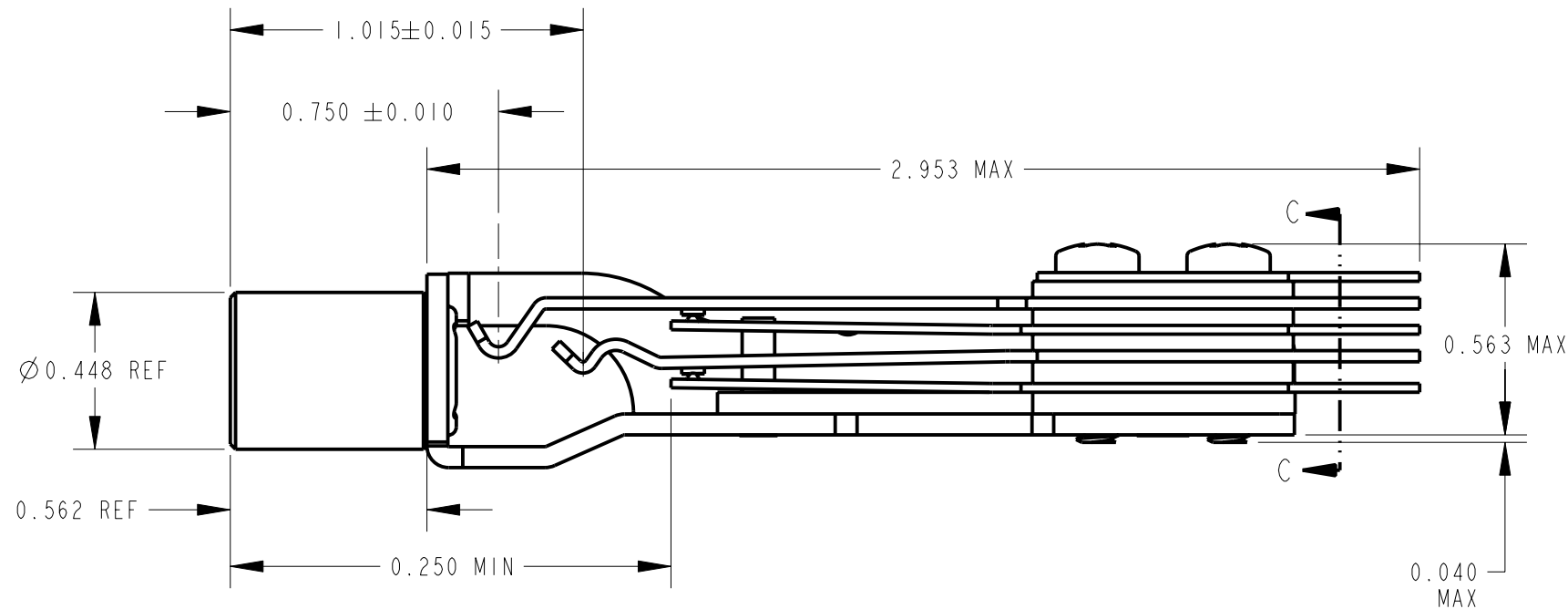
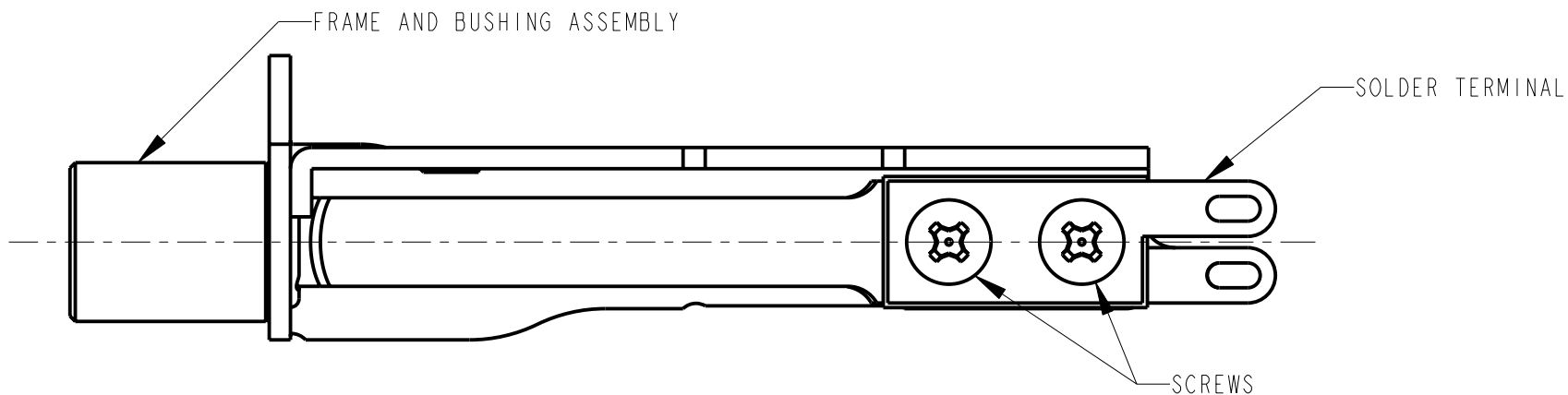
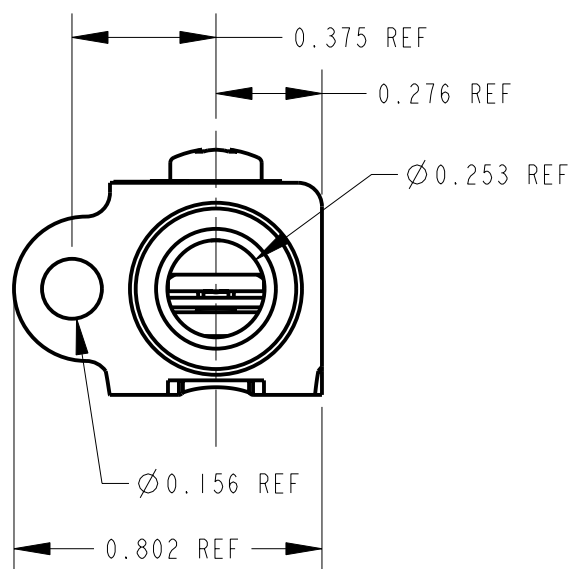


SCALE 1:1



NOTES:

- MATES WITH PJ-051 PLUG.
- MATERIALS:
 FRAME - STEEL, NICKEL PLATED
 BUSHING - BRASS, NICKEL PLATED
 SPRINGS - NICKEL SILVER, SPRING TEMPERED
 CONTACTS - WELDED CROSS BAR, PALLADIUM
 SPACERS - PHENOLIC, TYPE PBE-P
 LIFTER/SPACER - THERMOPLASTIC
 TERMINALS - HOT TIN DIPPED, LEAD FREE SOLDER
 SCREWS - STEEL, NICKEL PLATED
- THIS PRODUCT IS RoHS COMPLIANT.
(NOT MILITARY APPROVED)

CUSTOMER DRAWING

					★ STAR SYMBOL DENOTES CRITICAL DIMENSION	THIS DRAWING DESCRIBES A DESIGN CONSIDERED PROPRIETARY IN NATURE, DEVELOPED AND MANUFACTURED BY SWITCHCRAFT INC. AND IS RELEASED ON A CONFIDENTIAL BASIS FOR IDENTIFICATION PURPOSES ONLY.					
					UNLESS OTHERWISE SPECIFIED	SIZE	WIDTH	MULT	LBS/M	TEMPER	
					1. ALL DIMENSIONS IN INCHES - TWO PLACE DECIMALS ±0.01 - THREE PLACE DECIMALS ±0.005 - ANGLES ±1° - ALL DIA. CONCENTRIC WITHIN 0.005 T.I.R.	FINISH		MATERIAL			
					2. FEATURES ON THE SAME CENTERLINE MUST BE ALIGNED WITHIN ±0.002	SPEC No.		SPEC No.			
					3. REMOVE ALL BURRS	FIRST USED ON M641/3-2		SCALE 2:1		Switchcraft®	
B	26449	9-16-09	TO	TJK	DATE DRAWN	BY	CHKD	APVD	SHEET OF		
A	25269	1-26-06	TO	TJK	30-Aug-10	TO	TO 8-30-10	TJK 9-5-10	PART No. REV		
REV	ECO NUMBER	DATE	BY	APVD	NAME TELEPHONE JACK SOLDER TERMINAL, RoHS					MT334BX	B
REVISIONS					DO NOT SCALE DRAWING						