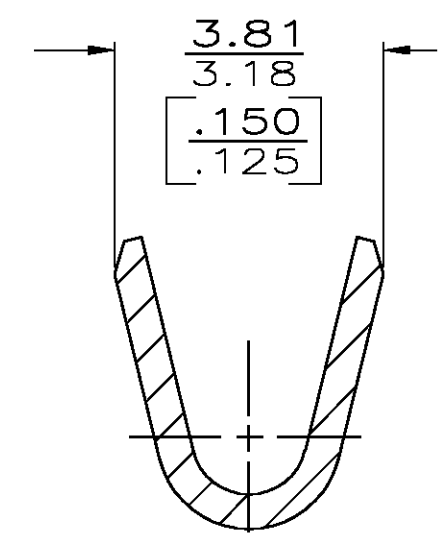
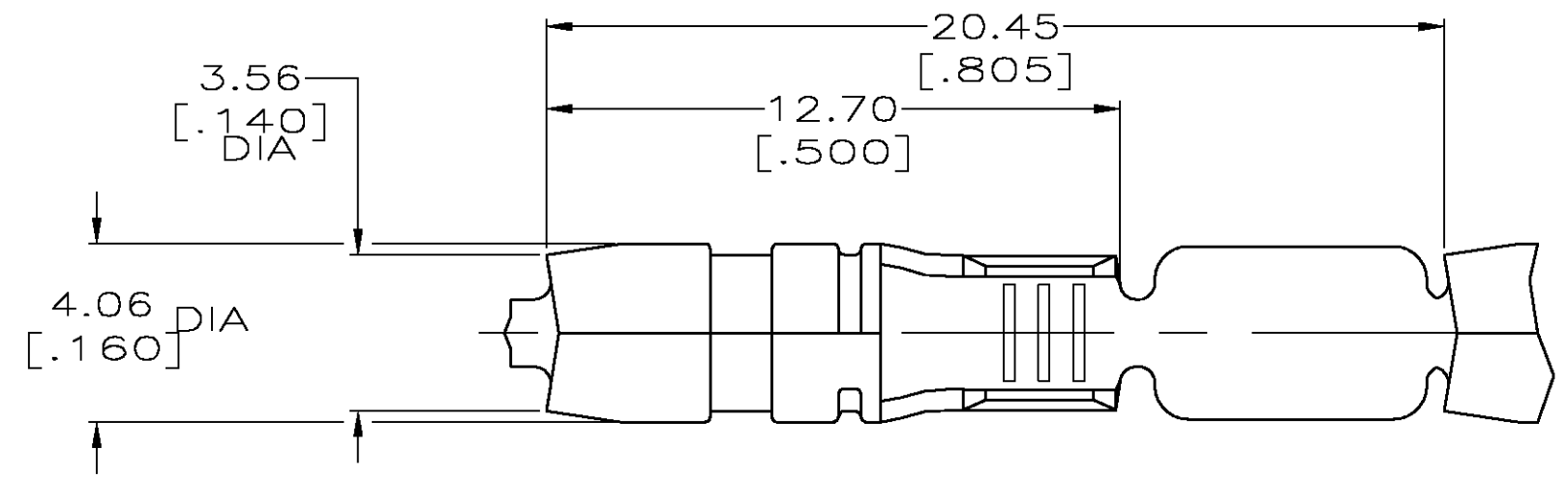


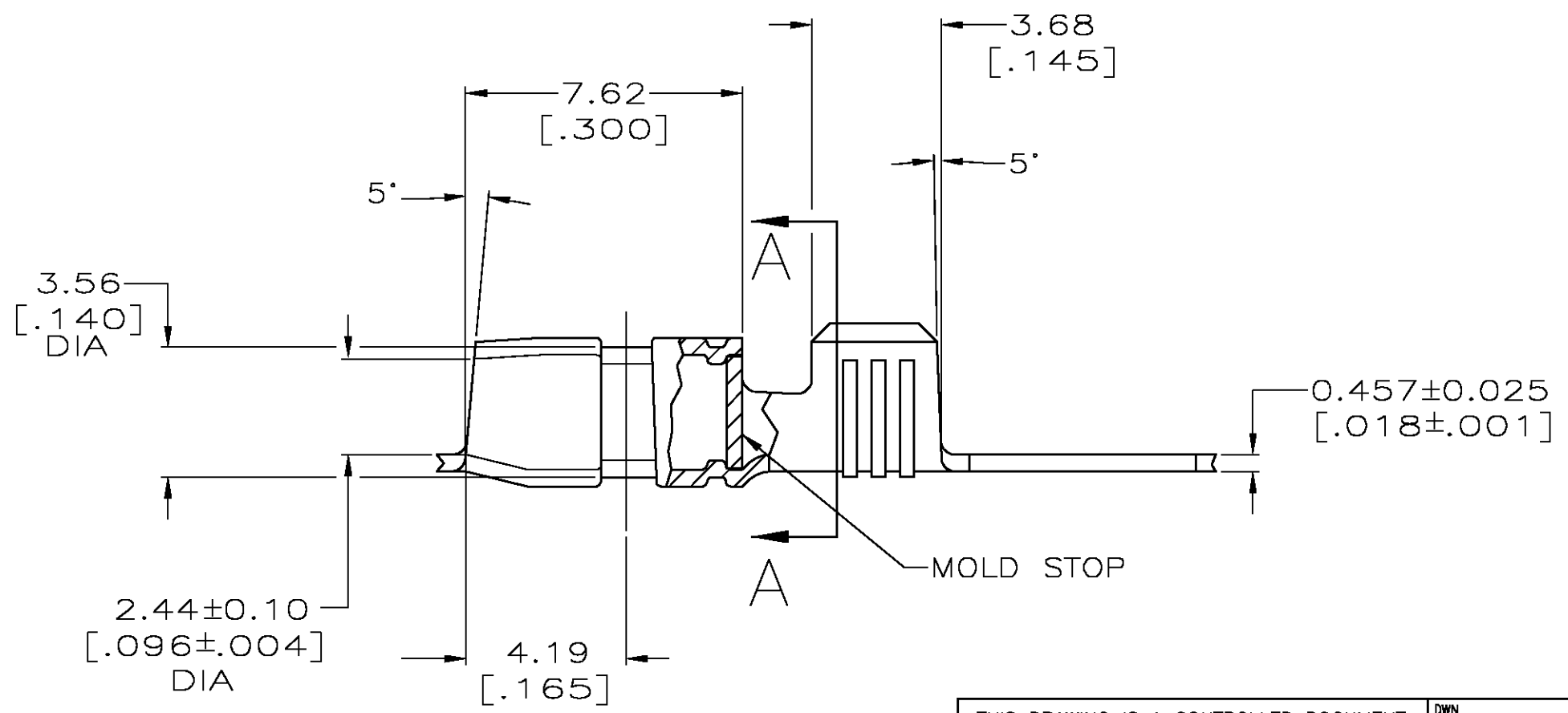
THIS DRAWING IS UNPUBLISHED. RELEASED FOR PUBLICATION
 © COPYRIGHT BY TYCO ELECTRONICS CORPORATION. ALL RIGHTS RESERVED.

LOC	DIST	REVISIONS			
P	LTR	DESCRIPTION	DATE	DWN	APVD
AF	50	N	REV PER 0G3A-0808-04	18JAN05	JR DD

- 1 CONTINUOUS STRIP ON REEL.
- 2 WIRE SIZE IS [18-14] AWG
- △ 3 0.003302 [.000130] MAX PRE-TIN PL.



SECTION A-A
SCALE 10:1



61802-1
PART NO.

THIS DRAWING IS A CONTROLLED DOCUMENT.		DWN PHILLIP M. FORTNEY 30/SEP/94	Tyco Electronics Corporation Harrisburg, Pa 17105-3608	
DIMENSIONS: INCHES 		CHK JEFF R. RUTH 30/SEP/94	NAME SHUR PLUG, 3.96 [.156] DIA	
TOLERANCES UNLESS OTHERWISE SPECIFIED: 1'		APVD R KUZO 30/SEP/04	PRODUCT SPEC	
0 PLC ± - 1 PLC ± - 2 PLC ± 0.25 [.010] 3 PLC ± - 4 PLC ± - ANGLES ± -		APPLICATION SPEC		
MATERIAL 081 BRASS		FINISH - △ 3	WEIGHT -	RESTRICTED TO -
CUSTOMER DRAWING			SIZE A3	CAGE CODE 00779
SCALE 6:1			DRAWING NO C-61802	REV N
SHEET 1 OF 1				