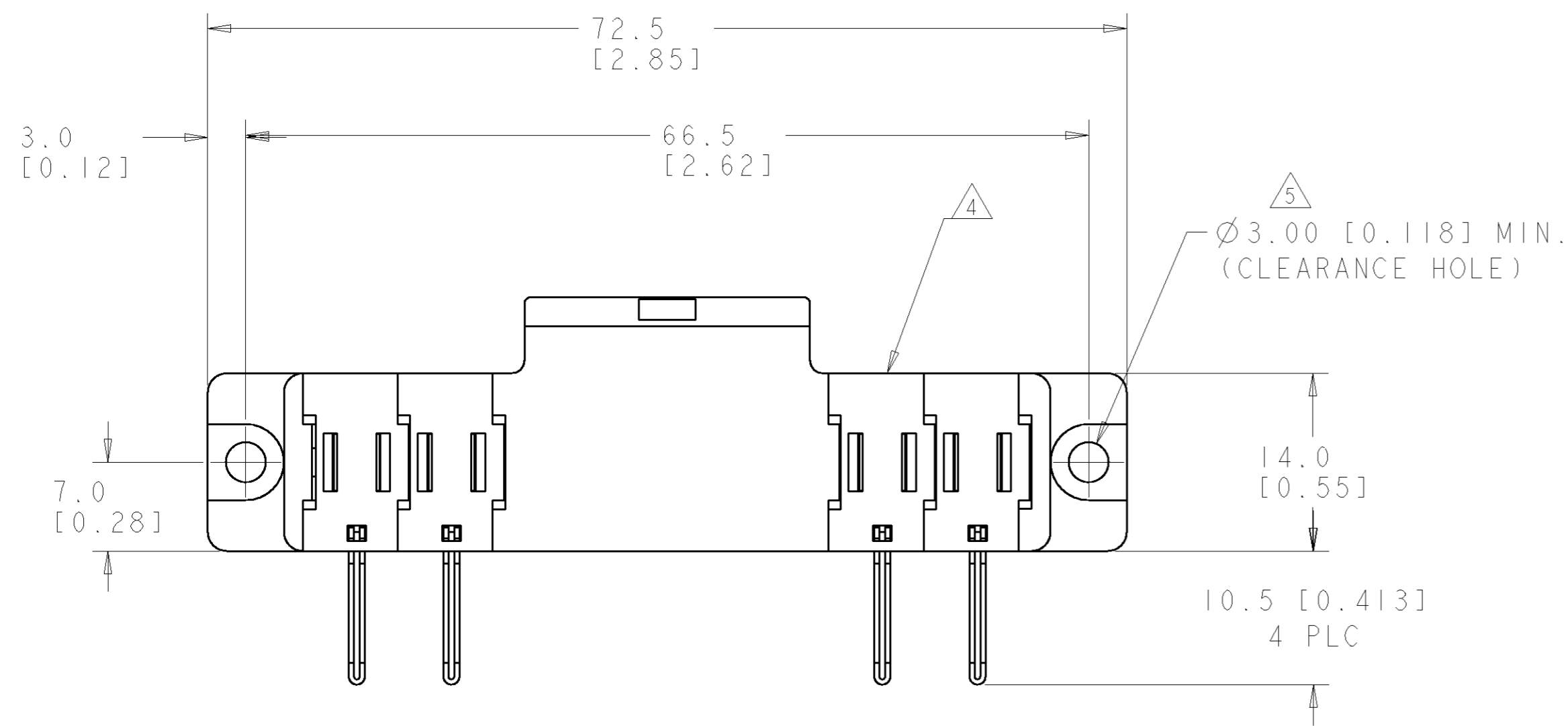


THIS DRAWING IS UNPUBLISHED. RELEASED FOR PUBLICATION 20
 © COPYRIGHT 20 BY TYCO ELECTRONICS CORPORATION. ALL RIGHTS RESERVED.

LOC	DIST	REVISIONS					
GP	00	P	LTR	DESCRIPTION	DATE	DWN	APVD
			A	RELEASED	01AUG06	RG	DO

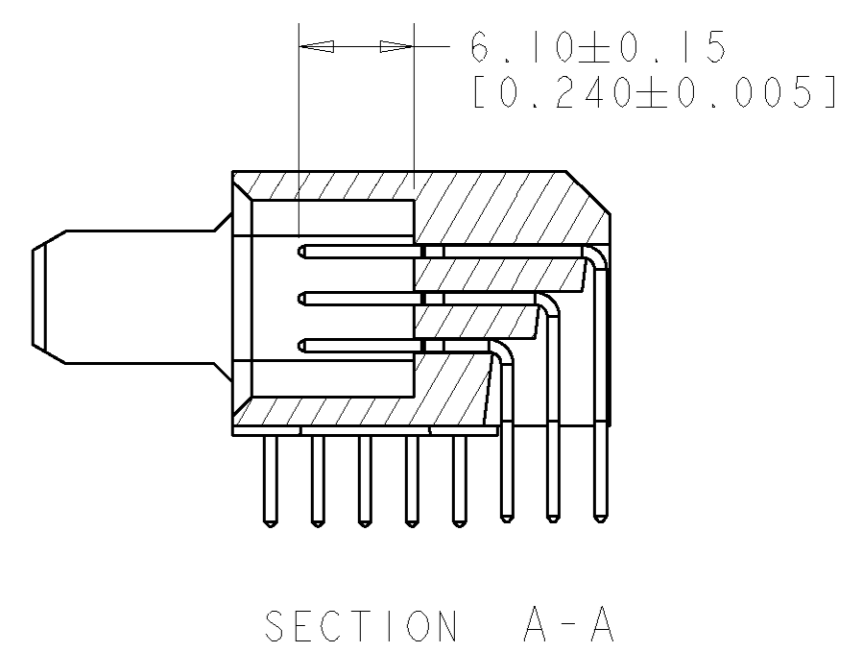
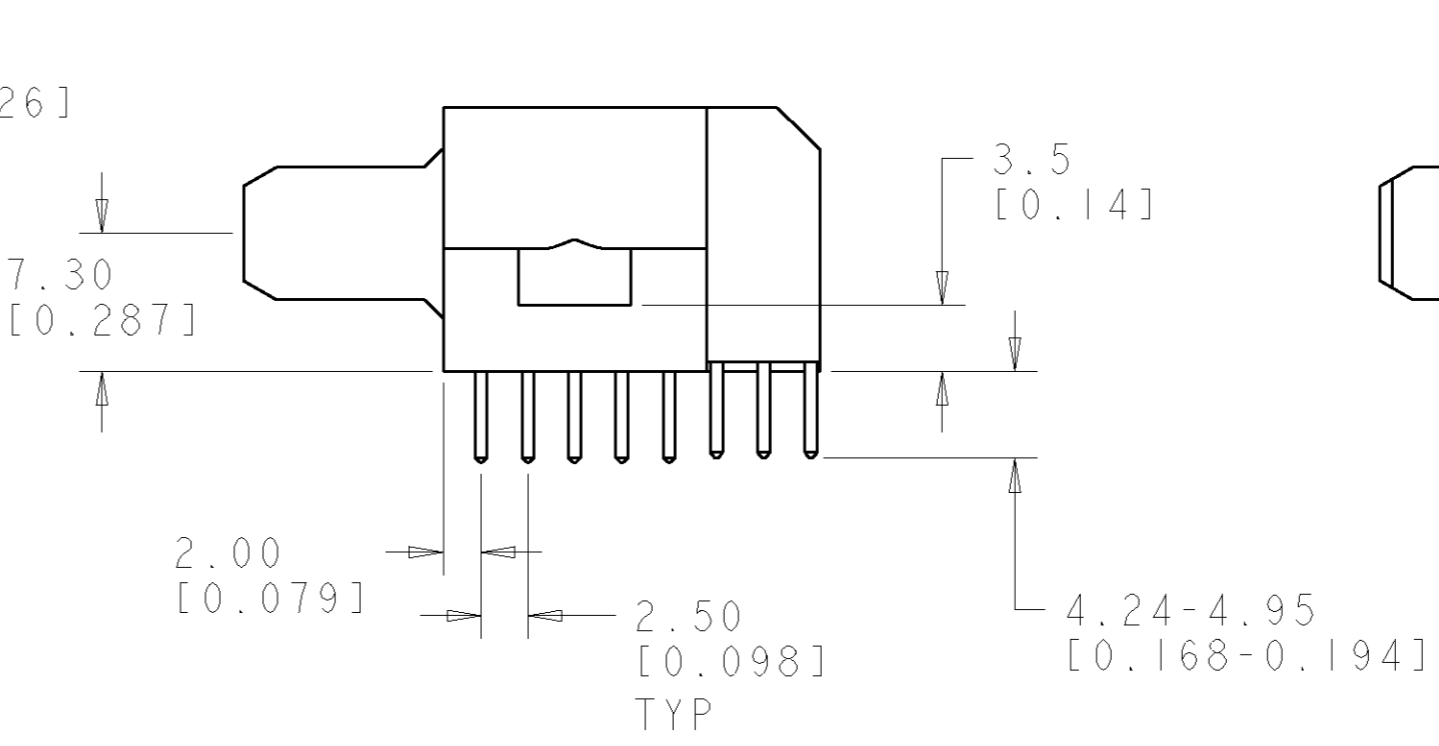
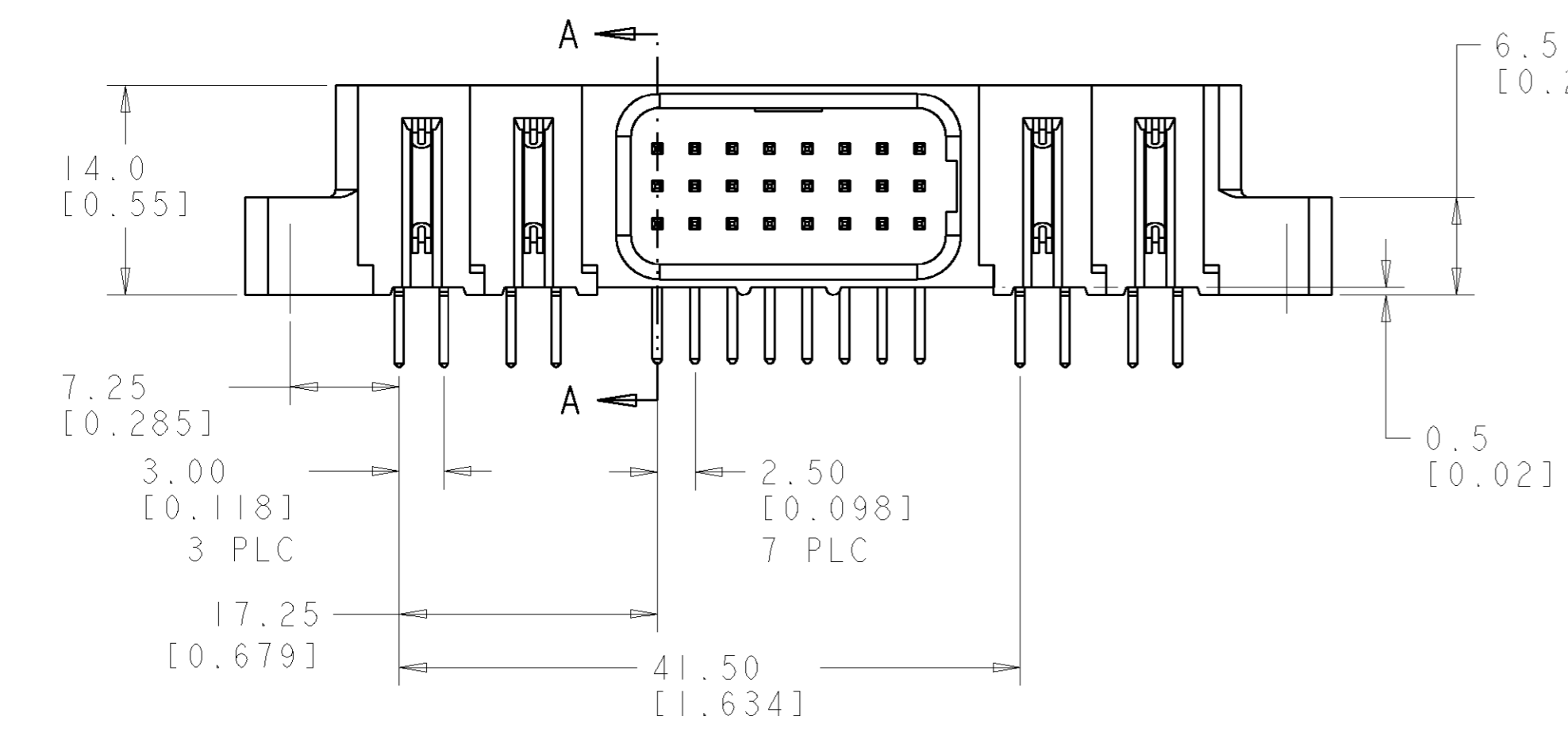


- PART NUMBER CHANGES AND OR DESIGN CHANGES AFFECTING ITEM INTERCHANGEABILITY REQUIRE PRIOR TYCO APPROVAL AND AUTHORIZATION BY REVISION TO THIS DRAWING.
- MATERIAL:
 - INSULATORS - THERMOPLASTIC, GLASS REINFORCED, COLOR: BLACK, UL94V-0 FLAMMABILITY RATED.
 - POWER CONTACTS - PHOSPHOR BRONZE ALLOY, COPPER ALLOY
 - SIGNAL CONTACTS - BRASS ALLOY
- FINISH:
 - CONTACTS - GOLD PLATE .000030 INCH MIN. THK. OVER NICKEL
 - .000050 INCH MIN. THK. SOLDER TAILS, TIN .000100 INCH MIN. THK. OVER .000050 MIN. THK. NICKEL.

4 ITEMS PROVIDED TO THIS SPECIFICATION TO BE PERMANENTLY IDENTIFIED PER THE FOLLOWING IDENTIFIER LABEL

YEAR WEEK
 TYCO PART NO. DATE CODE (e.g. 0106)
 XXXXXXXX-X XXXX

- MOUNTING FLANGES ACCEPT M3 OR NO.4 SCREWS, (USER SUPPLIED)
- ELCON REFERENCE PART NUMBER DESIGNATION: 279-0088-10100A

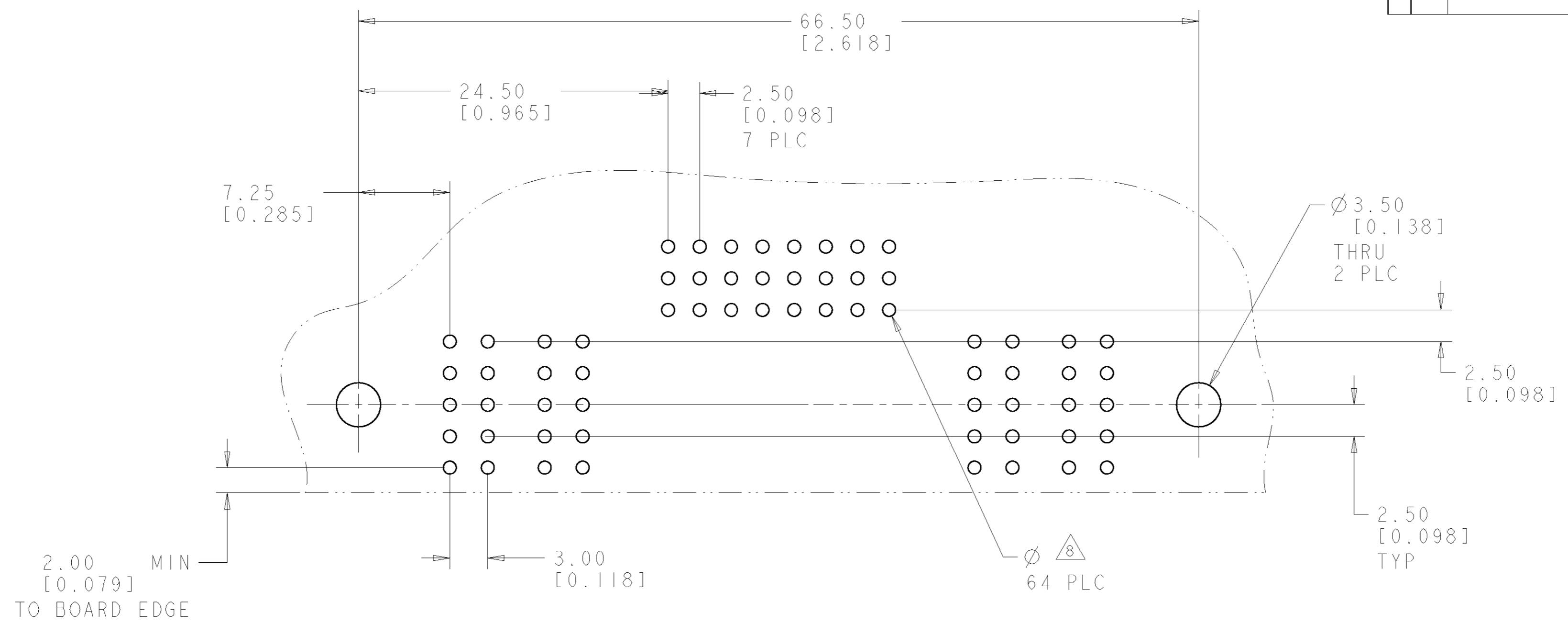


ELCON FLATPAQ

THIS DRAWING IS A CONTROLLED DOCUMENT FOR TYCO ELECTRONICS CORPORATION. IT IS SUBJECT TO CHANGE AND THE CONTROLLING ENGINEERING ORGANIZATION SHOULD BE CONTACTED FOR THE LATEST REVISION.		DWN R. GRZYBOWSKI 01AUG06 CHK D. ORRIS 01AUG06 APVD S. FLICKINGER 01AUG06	AS SHOWN 6646685-1 DESCRIPTION PART NUMBER
DIMENSIONS: mm [INCHES]	TOLERANCES UNLESS OTHERWISE SPECIFIED: 0 PLC ± .5 [0.020] 1 PLC ± .25 [0.010] 2 PLC ± .25 [0.010] 3 PLC ± .25 [0.010] 4 PLC ± .25 [0.010] ANGLES ± .5 FINISH	NAME Tyco Electronics Harrisburg, PA 17105-3608 PRODUCT SPEC - APPLICATION SPEC - WEIGHT - CUSTOMER DRAWING	SIZE A2 CAGE CODE 00779 DRAWING NO. 6646685 RESTRICTED TO - SCALE 3:1 SHEET 1 OF 3 REV A

THIS DRAWING IS UNPUBLISHED. RELEASED FOR PUBLICATION 20
 © COPYRIGHT 20 BY TYCO ELECTRONICS CORPORATION. ALL RIGHTS RESERVED.

LOC	DIST	REVISIONS			
P	LTR	DESCRIPTION	DATE	DWN	APVD
GP	00	-	SEE SHEET 1	-	-



PRINTED CIRCUIT LAYOUT
 COMPONENT SIDE

CONNECTOR	CATALOG MODULE #	QTY	SIZE NO.	CONTACT QTY	MATING PIN	MAX. CURRENT (PER CONTACT)	CONTACT SPACING	VOLTAGE RATING
PIN	FP105	4	8	4	1.25 X 7.00 [.049 X .276]	35 amps	7.50 [0.2953]	250
	FP302	1	22	24	.64 SQ. [.025]	3 amps	2.50 [0.0984]	125
	FP0500	1	LEFT MOUNTING FLANGE					
	FP0501	1	RIGHT MOUNTING FLANGE					

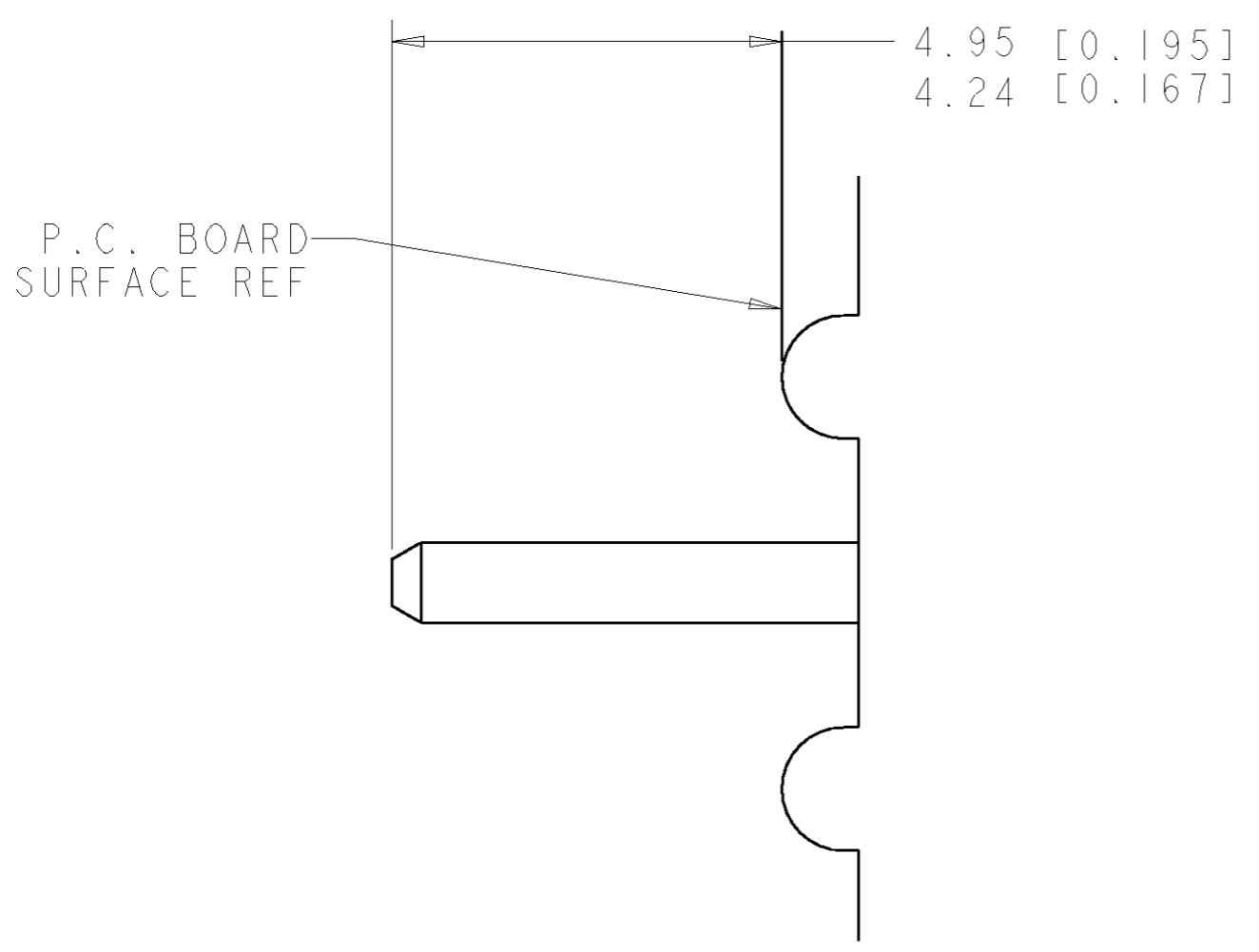
ELCON FLATPAQ

THIS DRAWING IS A CONTROLLED DOCUMENT FOR TYCO ELECTRONICS CORPORATION. IT IS SUBJECT TO CHANGE AND THE CONTROLLING ENGINEERING ORGANIZATION SHOULD BE CONTACTED FOR THE LATEST REVISION.

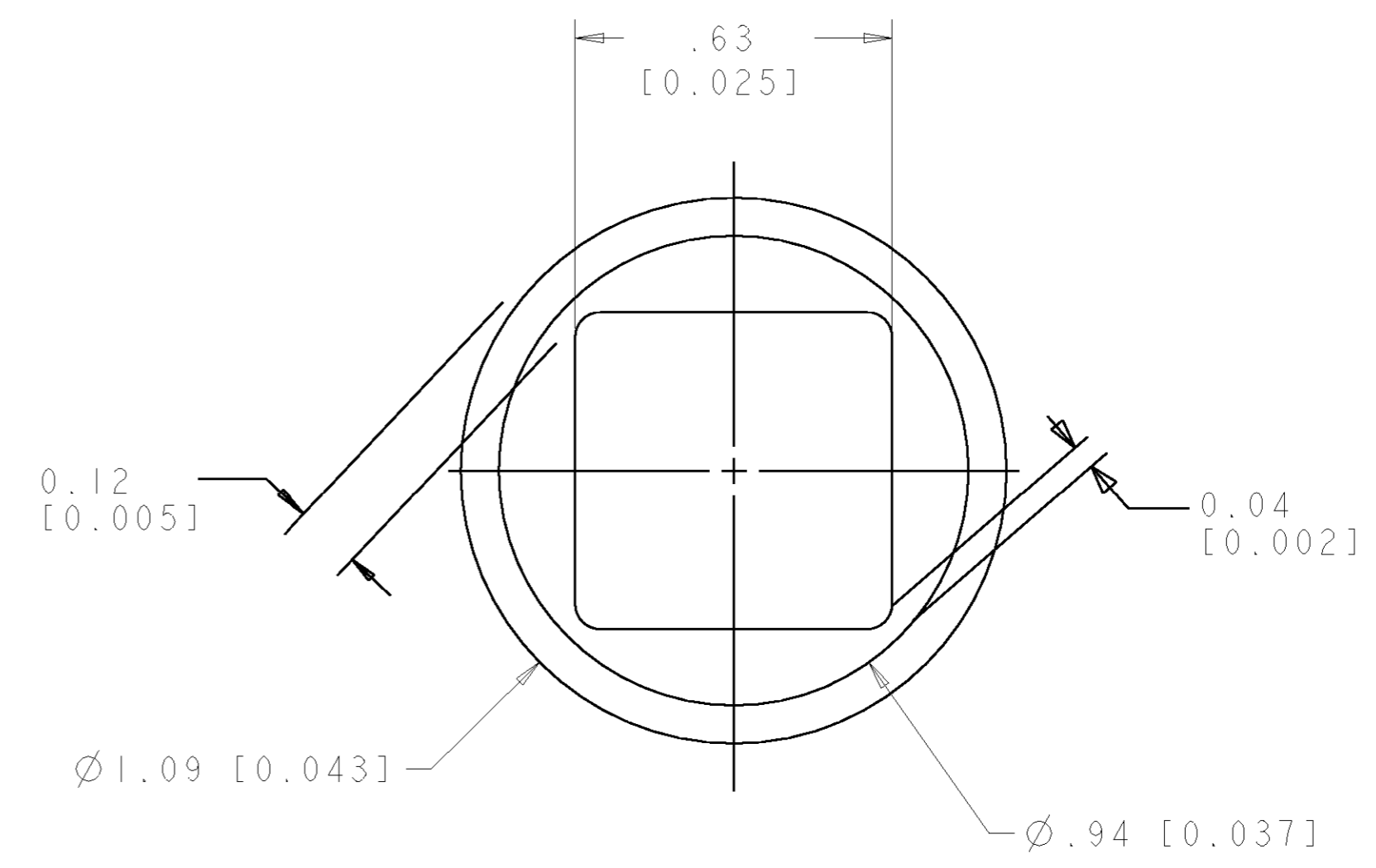
DWN	R. GRZYBOWSKI	01AUG06	 Tyco Electronics Harrisburg, PA 17105-3608					
CHK	D. ORRIS	01AUG06						
APVD	S. FLECKINGER	01AUG06						
NAME	CONNECTOR, PIN, RIGHT ANGLE STANDARD, SOLDER TAILS FLATPAQ							
DIMENSIONS:	mm [INCHES] 		SIZE	A200779	DRAWING NO.	C-6646685	RESTRICTED TO	-
TOLERANCES UNLESS OTHERWISE SPECIFIED:	0 PLC ± .5 [0.020] 1 PLC ± .25 [0.010] 2 PLC ± .25 [0.010] 3 PLC ± .25 [0.010] 4 PLC ± .25 [0.010] ANGLES ± .5 FINISH -		APPLICATION SPEC	-		WEIGHT	-	
MATERIAL	-		CUSTOMER DRAWING	SCALE	3:1	SHEET	2	OF 3

THIS DRAWING IS UNPUBLISHED. RELEASED FOR PUBLICATION 20
 © COPYRIGHT 20 BY TYCO ELECTRONICS CORPORATION. ALL RIGHTS RESERVED.

LOC	DIST	REVISIONS			
P	LTR	DESCRIPTION	DATE	DWN	APVD
GP	00	-	SEE SHEET 1	-	-



7. SOLDER TAIL DETAIL
SCALE 10 : 1



8 SOLDER TERMINATION AREA
 SCALE 40:1
 RECOMMENDED PRINTED CIRCUIT HOLE
 SOLDER HOLE
 FINISHED HOLE: Ø1.02 [.040] ±.008 [.0003]
 DRILLED HOLE: Ø1.15 [.0453] ±.013 [.0005]
 COPPER PLATE: .025 [.0010] MIN
 TIN PLATE: .008 [.0003] MIN. (PER SURFACE)

ELCON FLATPAQ

<small>THIS DRAWING IS A CONTROLLED DOCUMENT FOR TYCO ELECTRONICS CORPORATION IT IS SUBJECT TO CHANGE AND THE CONTROLLING ENGINEERING ORGANIZATION SHOULD BE CONTACTED FOR THE LATEST REVISION.</small>		DWN R. GRZYBOWSKI 01AUG06 CHK D. ORRIS 01AUG06 APVD S. FLICKINGER 01AUG06	tyco Tyco Electronics Electronics Harrisburg, PA 17105-3608
DIMENSIONS: mm [INCHES]	TOLERANCES UNLESS OTHERWISE SPECIFIED: 0 PLC ±- 1 PLC ±.5 [.020] 2 PLC ±.25 [.010] 3 PLC ±- 4 PLC ±- ANGLES ±.5 FINISH	NAME PRODUCT SPEC APPLICATION SPEC WEIGHT	NAME STANDARD, SOLDER TAILS FLATPAQ SIZE CAGE CODE DRAWING NO RESTRICTED TO
MATERIAL -		CUSTOMER DRAWING	A200779C-6646685 SCALE 3:1 SHEET 3 OF 3 REV A