

HMC958LC5

14 Gbps 4:1 Selector SMT with Programmable Output Voltage

Product Details

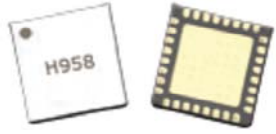
[Request Data Sheet](#)
ECCN: 3A001.a.11.b

Quality & Reliability

[Press & Media](#)

Life Cycle Status

[Production, Recommended for New Designs](#)



Data / Clock Rate (Gbps/GHz)	Function	Rise / Fall Time (ps)	Differential Output Swing (Vp-p)	DC Power Consumption (mW)	DC Power Supply (Vdc)	Package
14 / 14	4:1 Selector	17 / 17	0.5 - 1.3	294	-3.3	LC5

Features

- Differential & Single-Ended Inputs / Outputs
- Low Power Consumption: 294 mW typ.
- Fast Rise and Fall Times: 17 ps
- Programmable Differential Output Voltage Swing: 525 - 1300 mVp-p
- Propagation Delay: 121 ps
- Single Supply: -3.3V
- 32 Lead 5x5mm SMT Package: 25mm²

General Description

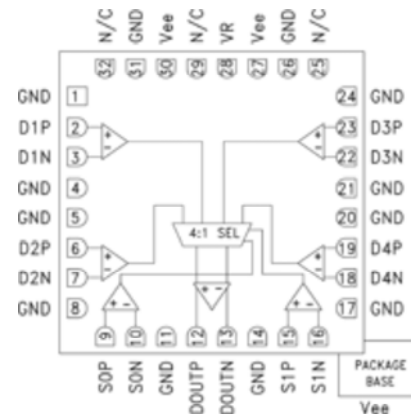
The HMC958LC5 is a 4:1 Selector designed to support data transmission rates of up to 14 Gbps and selector port operation up to 14 GHz. The selector routes the differential inputs to either one or both of the desired outputs upon assertion of the appropriately selected port. The HMC958LC5 also features an output level control pin, VR, which allows for loss compensation or for signal level optimization.

All single-ended input signals to the HMC958LC5 are terminated with 50 Ohms to ground on-chip, and may be either AC or DC coupled. The outputs of the HMC958LC5 may be operated either differentially or single ended. Outputs can be connected directly to a 50 Ohm terminated system, while DC blocking capacitors may be used if the terminating system is 50 Ohms to a non-ground DC voltage. The HMC958LC5 operates from a single -3.3V DC supply and is available in a ceramic RoHS compliant 5 x 5 mm SMT package.

Typical Applications

- SONET OC-192 and 10 GbE
- 16G Fiber Channel
- 4:1 Multiplexer
- Built-In Test
- Broadband Test & Measurement

Functional Diagram



Hittite Microwave (Chelmsford, MA USA) is an [ISO 9001:2008 and AS9100:2009](#) Certified Designer and Manufacturer
© 2000 - 2013 Hittite Microwave Corporation | [Legal Notice](#) | [Privacy Policy](#)
978-250-3343 | sales@hittite.com | Join Us: [twitter](#)