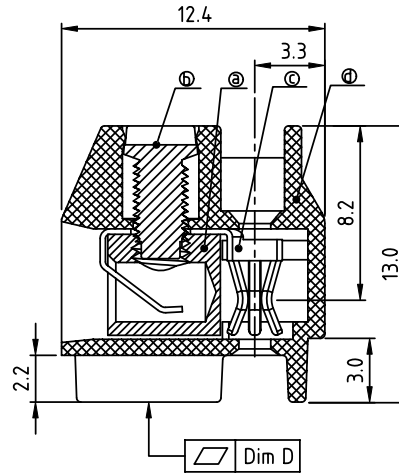
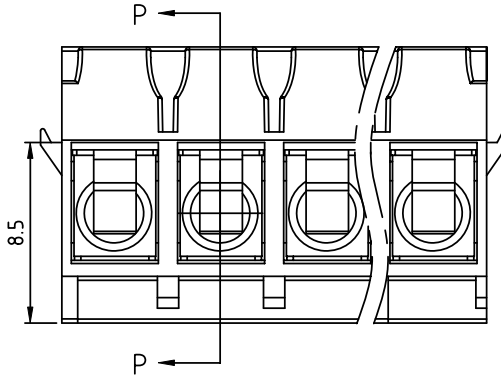
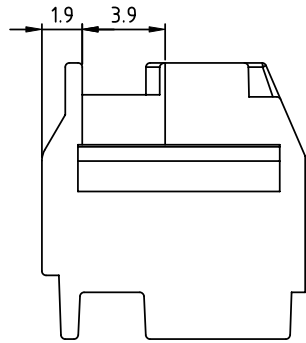
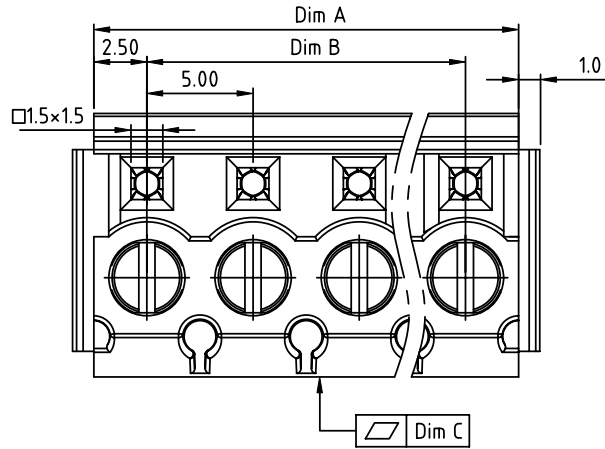


PRODUCT NUMBER	PITCH
KRxx01x100J0G	5.00 mm



Section P-P

Material

- Item ① Clamp: Brass(CuZn) Ni plated
- Item ② Terminal screw: Steel Zinc plating "-" slot type
- Item ③ Female contact: PhBz (CuSn) Tin plated
- Item ④ Terminal (housing): Thermoplastic (UL94V-0)

Electrical cULus

- Voltage rating: 300V
- Current rating: 10A
- Wire range:
  - Solid wire(AWG): 14-26
  - Stranded wire(AWG): 14-26
- Torque: 3.5Lb-In
- Screw: M2.6
- Wire strip length: 5-6mm
- Withstanding Voltage: 1.6KV
- Operating temperature: -40°C to +115°C
- Safety Approval:

PART NO.: KR xx 01 x 1 00J0 G

N = Number of poles

Dim A=Nx5.0

Dim B=(N-1)x5.0

poles	Tolerance	Dim C	Dim D
2P	±0.05	≤0.05	≤0.05
3-6p	±0.15	≤0.10	≤0.10
7-12p	±0.20	≤0.20	≤0.20
13-18p	±0.30	≤0.20	≤0.20
19-24p	±0.40	≤0.40	≤0.40

Solid block	No. of poles	Body Color	RoHS compliant (lead<4%) In copper Alloy
0	2 poles	Black (RAL9005)	
2	3 poles	Red (RAL3001/D)	
3	...	Orange(RAL2011/P)	
4	24 poles	Yellow(RAL1018/A)	
5		Green(RAL6018/T)	
6		Blue (RAL5015/A)	
8		Grey(RAL7035/D)	
9		White(RAL1102)	
C		Green(RAL6018/U)	

mat'l. code		surface ASME Y14.5	tolerance ASME Y14.5	projection	product family TERMINAL BLOCK
ltr	ecn no	dr	date	 MM 	title TERMINAL BLOCK
tolerances unless otherwise specified					scale
angles		X°±1'		X.X±0.3	
fil		X.XX±0.1		X.XX±0.1	
dr	EVIN ZHONG	041614			dwg no KRxx01x100J0G
enr	EVIN ZHONG	041614			sheet 1 of 1 size A4
chr	HANKE FENG	041614			type CUSTOMER Drawing
appd	SHI JUN	041614			
sheet index	revision sheet	A	1		