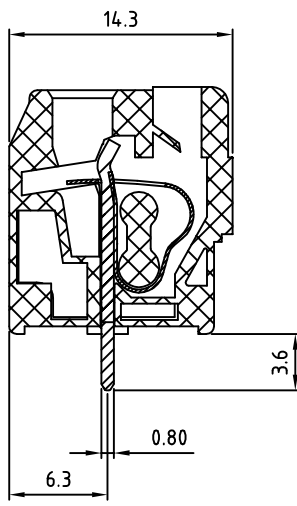
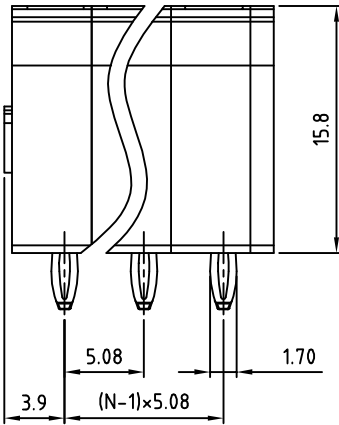
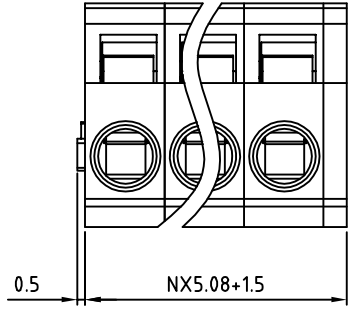
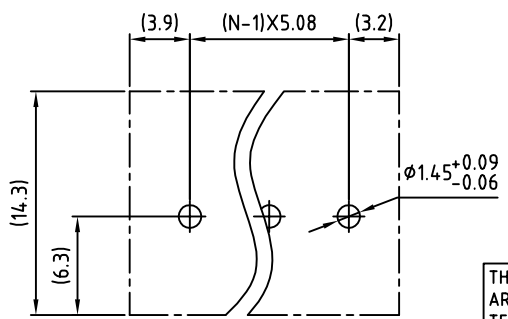


SIGN	DATE	DESCRIPTION	APPROVER
THIS IS CAD DRAWING, DO NOT REVISE MANUALLY!!!			



N=Number of contacts



P.C.B LAYOUT

THESE DRAWINGS AND SPECIFICATIONS ARE THE PROPERTY OF ON-SHORE TECHNOLOGY, INC. AND SHALL NOT BE REPRODUCED, COPIED OR USED IN ANY MANNER WITHOUT THE PRIOR WRITTEN CONSENT OF ON-SHORE TECHNOLOGY, INC.

Material

- Terminal body (Contact pin): Brass
- Wire guard: Stainless steel
- Surface of solder tail: Tin plated
- Insulator (housing): Thermoplastic (UL94V-0)

Electrical

- Voltage rating: 250VAC
- Current rating: 8A
- Wire range:
 - Solid wire(AWG): 12-28
 - Stranded wire(AWG): 12-28
- Wire strip length: 6-7mm
- Withstanding Voltage: 1.5KV
- Operating temperature: -30°C to +105°C
- Soldering temperature: 250°C±10°C/5 Sec
- Safety approval: us

RoHS Compliant

PART NUMBER:

OSTHMXX5081

No. of Poles
02: 2 Poles
:
:
24: 24 Poles

COLOR
0: Black
5: Green
6: Blue
8: Grey (Standard)



TITLE								OSTHM 5.08mm Series Press fit	
PART NO.		OSTHMXX5081		DWG NO.		OSTHMXX5081.DWG			
APPROVED		CHECKED		DESIGNED		DRAWN		CUST NO.	
Shi jun 2006.11.01		Marvin 2006.06.26		Marvin 2006.06.26		Marvin 2006.06.26			
SHEET: 01/01								REV: B	
UNIT: mm								Tolerance	
SCALE: NONE								X. ±0.50	
								X.X ±0.30	
								X.XX ±0.10	
								X° ±1°	