

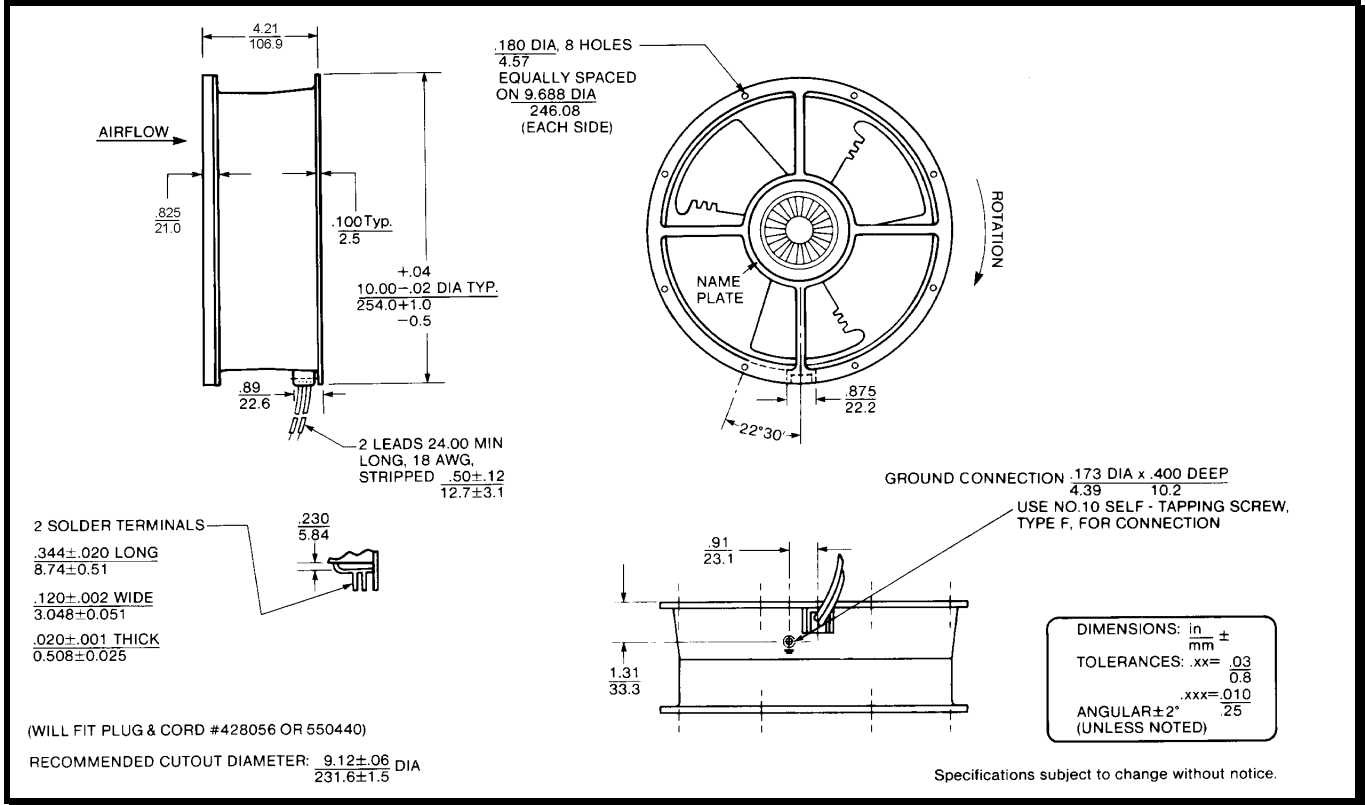
SPECIFICATIONS



Model Number: CLE2T5
Part Number: 19039202A

June 13, 2016

Mechanical Drawing:



Motor:

Nominal Voltage	= 115 VAC
Frequency	= 60 Hz
Nominal Running Current	= 1.30 amps
Max. Locked Rotor Current	= 2.50 amps
Running Power	= 115 watts
Average Speed	= 2400 RPM
Bearings	= Ball
Max. Airflow	= 868 CFM
Max. Static Pressure	= 0.487 in H ₂ O
Acoustic	= 60.0 dBA

Construction:

Venturi: Aluminum, Black.
 Propeller: Plastic, Black, UL 94V-0

Life Expectancy:

This fan is designed for continuous duty life of 54,000 hours at 40°C.

Additional Features:

Permanent Split Capacitor Motor
 Automatic Reset Thermal Protector
 Automatic Restart Capability
 Operating Temperature: -10°C to 70°C
 Storage Temperature: -40°C to 85°C

Termination:

2 Solder Terminals

Agency Approvals:

UL, CE