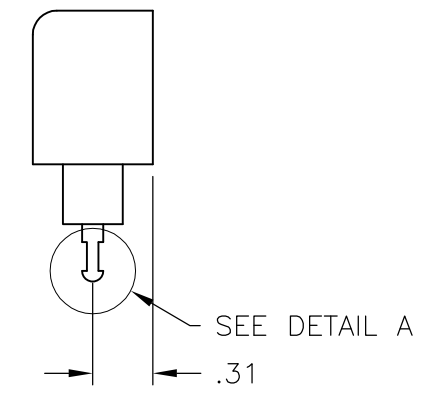
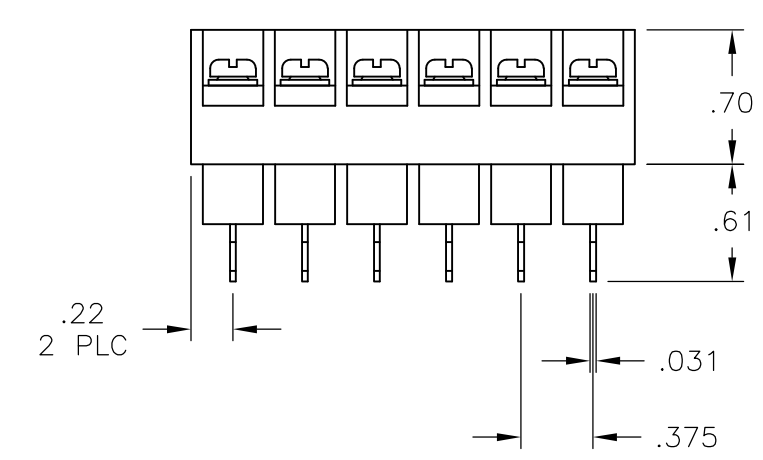
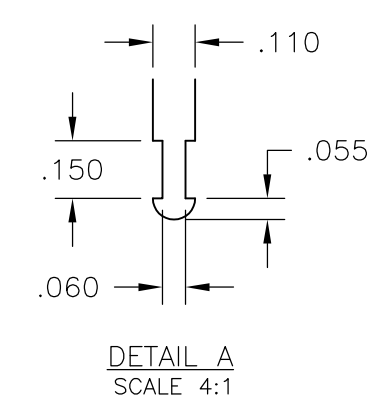
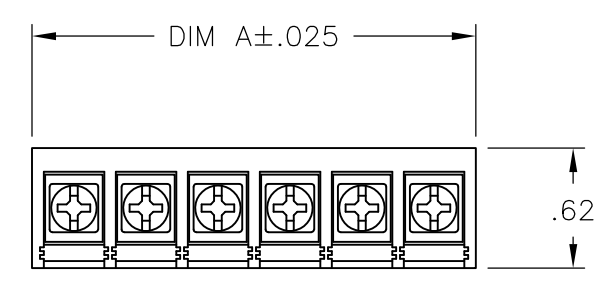


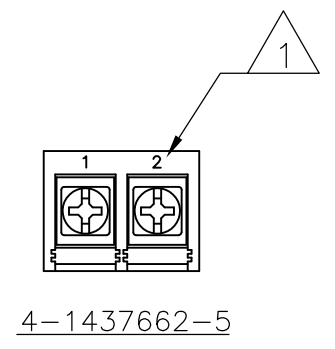
THIS DRAWING IS UNPUBLISHED. RELEASED FOR PUBLICATION
 © COPYRIGHT BY TYCO ELECTRONICS CORPORATION. ALL INTERNATIONAL RIGHTS RESERVED.

| LOC | DIST | REVISIONS | | | | | |
|-----|------|-----------|-----|---------------------------|---------|-----|------|
| FT | 0 | P | LTR | DESCRIPTION | DATE | DWN | APVD |
| | | | B | REVISED PER ECO-10-013203 | 25JUN10 | HMR | CR |

NOTES:
MATERIAL:
 HOUSING: THERMOPLASTIC, UL94V-0, BLACK.
 TERMINALS: TIN PLATED COPPER ALLOY.
 SCREWS: 6-32, STEEL, ZINC PLATED W/ CLR CHROMATE.
ELECTRICAL:
 MAX CURRENT: 20A
 OPERATING VOLTAGE: 300V.
 WIRE RANGE: 12-22 AWG.
ENVIRONMENTAL:
 OPERATING TEMP.: +105° MAX.
 1 MARKED WITH WHITE INK.



| DIM. A | NO. OF POS. | CATALOG NUMBER | TE PART NO. |
|--------|-------------|-----------------|-------------|
| 7.561 | 20 | BC6-T408-20 | 9-1437662-5 |
| 7.186 | 19 | BC6-T408-19 | 9-1437662-4 |
| 6.811 | 18 | BC6-T408-18 | 9-1438662-3 |
| 6.436 | 17 | BC6-T408-17 | 9-1437662-2 |
| 6.061 | 16 | BC6-T408-16 | 9-1437662-1 |
| 5.686 | 15 | BC6-T408-15 | 9-1437662-0 |
| 5.311 | 14 | BC6-T408-14 | 8-1437662-9 |
| 4.936 | 13 | BC6-T408-13 | 8-1437662-8 |
| 4.561 | 12 | BC6-T408-12 | 8-1437662-7 |
| 4.186 | 11 | BC6-T408-11 | 8-1437662-6 |
| 3.811 | 10 | BC6-T408-10 | 8-1437662-5 |
| 3.436 | 9 | BC6-T408-09 | 8-1437662-4 |
| 3.061 | 8 | BC6-T408-08 | 4-1437662-8 |
| 2.686 | 7 | BC6-T408-07 | 8-1437662-3 |
| 2.311 | 6 | BC6-T408-06 | 8-1437662-2 |
| 1.936 | 5 | BC6-T408-05 | 8-1437662-1 |
| 1.561 | 4 | BC6-T408-04 | 4-1437662-6 |
| 1.186 | 3 | BC6-T408-03 | 8-1437662-0 |
| .811 | 2 | BC6-T408-02-278 | 4-1437662-5 |
| .811 | 2 | BC6-T408-02 | 9-1437662-6 |



| | | | | |
|--|--|-----------------------|---|-----------------|
| THIS DRAWING IS A CONTROLLED DOCUMENT. | | DWN S SCHLEGEL 8/4/04 | Tyco Electronics Corporation Harrisburg, PA 17105-3608 | |
| DIMENSIONS: INCHES | | CHK S. YODER 8/4/04 | | |
| TOLERANCES UNLESS OTHERWISE SPECIFIED: | | APVD S. YODER 8/4/04 | NAME | |
| 0 PLC ± - | | PRODUCT SPEC | BC6-T408-XX ASSEMBLY | |
| 1 PLC ± - | | APPLICATION SPEC | | |
| 2 PLC ± .02 | | WEIGHT - | SIZE A3 | CAGE CODE 00779 |
| 3 PLC ± .010 | | MATERIAL - | DRAWING NO C-4-1437662-6 | |
| 4 PLC ± - | | | RESTRICTED TO - | |
| ANGLES ± - | | CUSTOMER DRAWING | | SCALE NTS |
| FINISH - | | SHEET 1 OF 1 | | REV B |