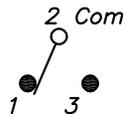


RECOMMENDED PCB LAYOUT

SCALE 2X



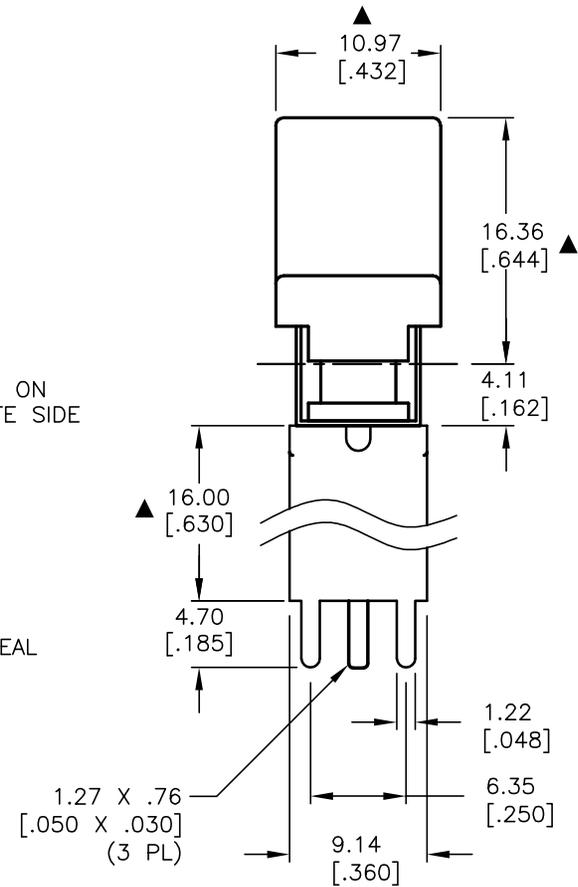
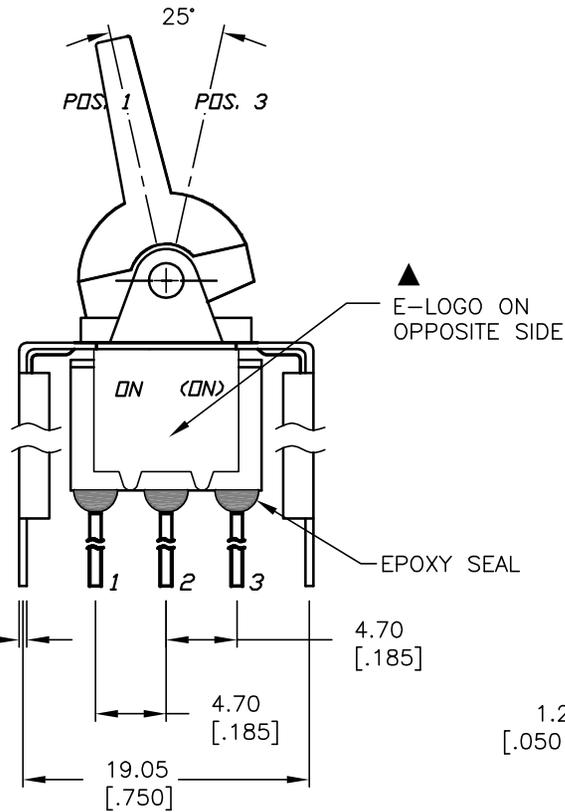
CIRCUIT: SPST

SWITCH FUNCTION		
PDS. 1	PDS. 2	PDS. 3
ON	NONE	<ON>
2-3	OPEN	2-1

<ON> = MOMENTARY

NOTES:

1. ALL DIMENSIONS IN MM [INCH]
2. GENERAL TOLERANCE: X.X=±0.4
X.XX=±0.25
3. TERM. NOS. FOR REF. ONLY
4. RATING: RATING: 0.4(VA) max. @20V (AC or DC)
5. MATERIAL: FIXED TERMINAL & MOVING CONTACT
Copper Alloy w/GOLD plate over Nickel plate
6. CONTACT RESISTANCE: 10mILLI Ohms max initial
@2-4VDC, 100mA for AG & AU
7. ELECTRICAL LIFE: 50,000 make-and-break cycles at full load.
8. INSULATION RESISTANCE: 1,000M ohm min.
9. DIELECTRIC STRENGTH: 1000V RMS @sea level
10. OPERATING TEMP.: -30°C to 85°C
11. ▲DENOTES CRITICAL PARAMETER.



E-SWITCH®

TITLE				
300SP2J6BLKV55RE				
SCALE	DATE	DR	DWG	REV
2:1	7/2/04	AR	T312018	A

A	14136	RELEASED FOR PRODUCTION	7/2/04	AR
REV.	ECN No.	DESCRIPTION	DATE	CHKD

THE INFORMATION CONTAINED IN THIS DOCUMENT IS PROPRIETARY TO E-SWITCH AND IS NOT TO BE COPIED OR TRANSFERRED