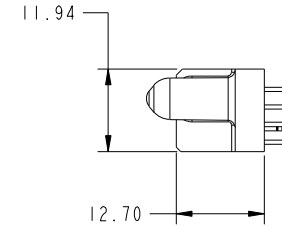
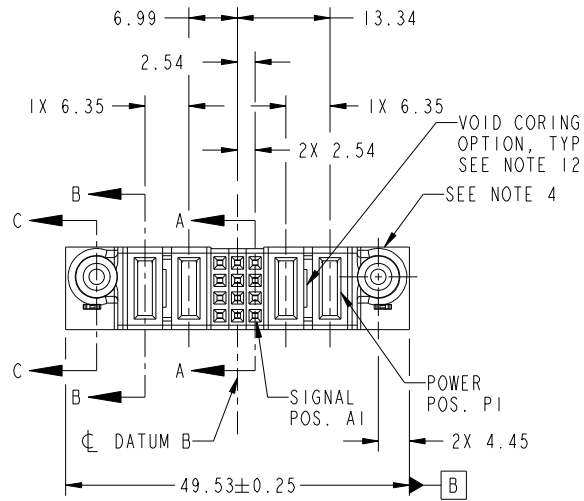


Tous droits strictement reserves. Reproduction ou communication a des tiers interdite sous quelque forme que ce soit sans autorisation écrite du propriétaire. Propriete de c FCI. Droits de reproduction FCI.



All rights strictly reserved. Reproduction or issue to third parties in any form whatever is not permitted without written authority from the proprietor. Property of FCI. Copyright FCI.

PRODUCT NO.	ROWS	POWER		SIGNAL				POWER		E1
		E2	P4	P3	3	2	1	P2	P1	
51940-378-- NOTE: 3	D C B A		PD	PA	E E E E E E E E	E E E E E E E E	E E E E E E E E	PA	PD	



CODE	DIM "M" MATING LENGTH	CONTACT TYPE
E	[N/A]	SIGNAL
PA	[1.07]	POWER
HA	[N/A]	HOLD-DOWN
PD	[2.34]	POWER

mat'l code				SEE NOTES		tolerances unless otherwise specified		CUSTOMER		FCI	
ltr	ecn no.	dr	date	linear	0.X ± 0.5	projection	COPY		www.fciconnect.com		
A	DG10-0449	PB	12/12/10	angles	0.XX ± 0.25		title		2P + 12S + 2P VERTICAL SOLDER RECEPT		
				dr	0.XXX ± 0.1		product family		PwrBlade	code	
				enr	0° ± 2°	scale	size		A	213	
				chr	PB PENG 12/04/10	1:1	dwg no		51940-378		
				appd	PB PENG 12/04/10		sheet		1 of 4		
					PM ZHENG 12/04/10		cage code		22526		
					JOSEPH HSIA 12/04/10						
sheet index	revision sheet	A 1	A 2	A 3	A 4						

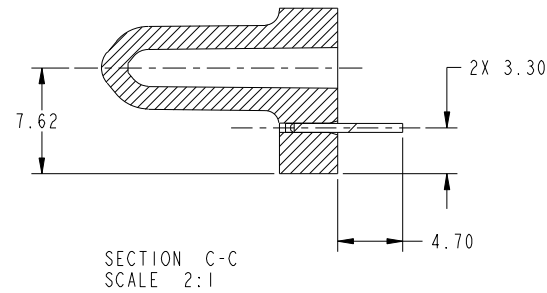
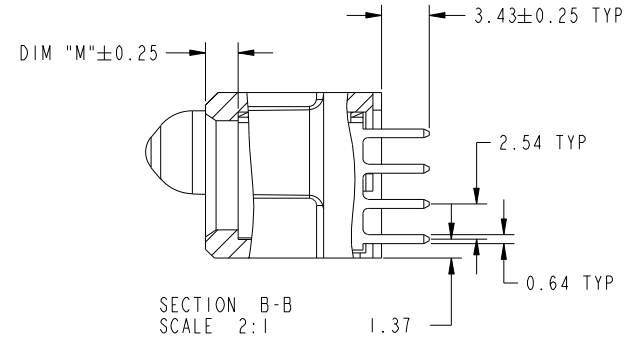
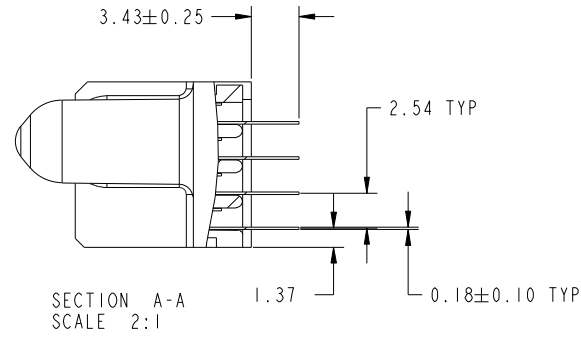
1 | 2 Pro/E 3 | cage code 22526 4

Tous droits strictement reserves. Reproduction ou communication a des tiers interdite sous quelque forme que ce soit sans autorisation écrite du propriétaire. Propriete de c FCI. Droits de reproduction FCI.



All rights strictly reserved. Reproduction or issue to third parties in any form whatever is not permitted without written authority from the proprietor. Property of FCI. Copyright FCI.

PRODUCT NUMBER  
51940-378--  
NOTE: 3



mat'l code				tolerances unless otherwise specified		CUSTOMER			
ltr	ecn no.	dr	date	linear	0.X ±0.5	COPY		www.fciconnect.com	
A				linear	0.XX ±0.25	projection		title	
				angles	0.XXX ±0.1			2P + 12S + 2P VERTICAL SOLDER RECEPT	
				dr	0° ±2°	MIM		product family PwrBlade code	
				enrg	PB PENG 12/04/10	← MIM →		size	
				enrg	PB PENG 12/04/10	scale		dwg no	
				chr	PM ZHENG 12/04/10	1:1		A 51940-378	
				appd	JOSEPH HSIA 12/04/10			sheet	
sheet index		revision sheet						2 of 4	

cage code 22526

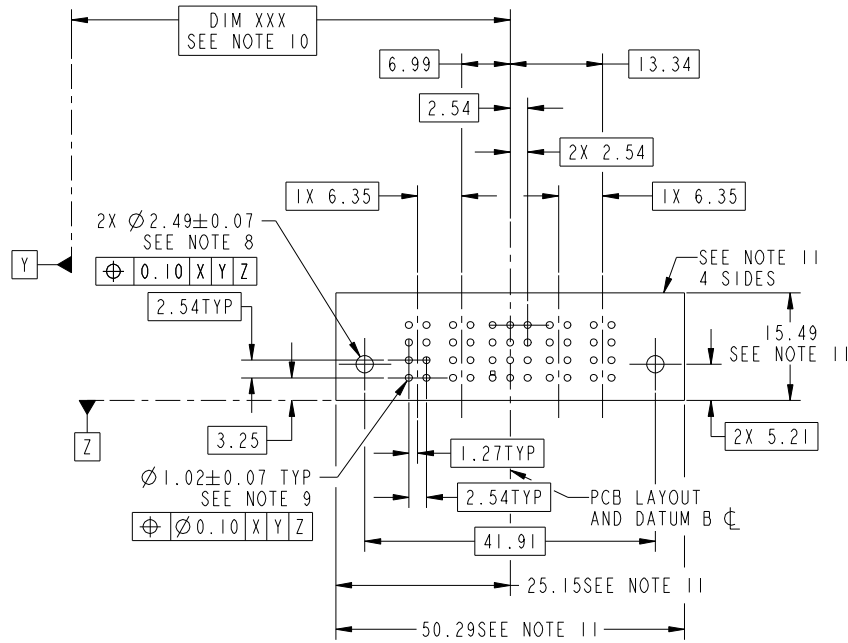
Pro/E

Tous droits strictement reserves. Reproduction ou communication a des tiers interdite sous quelque forme que ce soit sans autorisation écrite du propriétaire. Propriete de c FCI. Droits de reproduction FCI.

All rights strictly reserved. Reproduction or issue to third parties in any form whatever is not permitted without written authority from the proprietor. Property of FCI. Copyright FCI.



PRODUCT NUMBER  
51940-378--  
NOTE: 3



RECOMMENDED PCB LAYOUT

mat'l code				tolerances unless otherwise specified		CUSTOMER		 www.fciconnect.com	
ltr	ecn no.	dr	date	linear	0.X ±0.5	COPY		title	
A					0.XX ±0.25	projection		2P + 12S + 2P VERTICAL SOLDER RECEPT	
				angles	0.XXX ±0.1			product family PwrBlade code	
		dr	PB PENG	12/04/10	0° ±2°	MIM		size	
		enr	PB PENG	12/04/10		scale		dwg no	
		chr	PM ZHENG	12/04/10		1:1		51940-378	
		appd	JOSEPH HSIA	12/04/10				sheet	
sheet index		revision sheet						3 of 4	

cage code 22526

Pro/E

Tous droits strictement reserves. Reproduction ou communication a des tiers interdite sous quelque forme que ce soit sans autorisation écrite du propriétaire. Propriete de c FCI. Droits de reproduction FCI.



All rights strictly reserved. Reproduction or issue to third parties in any form whatever is not permitted without written authority from the proprietor. Property of FCI. Copyright FCI.

PRODUCT NUMBER  
51940-378\_-  
NOTE: 3

NOTES:

1. DIMENSIONS AND TOLERANCES ARE IN ACCORDANCE WITH ASME Y14.5M, 1994 UNLESS OTHERWISE SPECIFIED.

CONNECTOR NOTES:

- 2 HOUSING MATERIAL: UL 94 V-0 GLASS FILLED HIGH-TEMP THERMOPLASTIC  
POWER CONTACT MATERIAL: COPPER ALLOY  
SIGNAL PIN MATERIAL: COPPER ALLOY
  - 3. SEE ITEM 5 & 6 IN PRINT 10064183 FOR PLATING SPEC OF 51940-378 AND 51940-378LF RESPECTIVELY.
  - 4 MANUFACTURER'S NAME, DATE CODE AND OPTIONAL P/N TO APPEAR ON THIS SURFACE. THE P/N CAN BE OMITTED IF THERE IS NOT ENOUGH SPACE ON THIS SURFACE.
  - 5. PRODUCT SPECIFICATION GS-12-149.  
APPLICATION SPECIFICATION BUS-20-067.
  - 6. PACKAGED IN TRAYS.
- PCB NOTES:
- 7. ALL HOLE DIAMETERS ARE FINISHED HOLE SIZE.
  - 8 MOUNTING HOLES, WHERE APPLICABLE, ARE UNPLATED.
  - 9  $\varnothing 1.151 \pm 0.025$  DRILLED HOLES PLATED WITH  
0.008 MIN SnPb OR Sn OVER 0.03  
TO 0.08 Cu PLATING TO ACHIEVE  
 $\varnothing 1.02 \pm 0.07$  HOLE.
  - 10 "DIM XXX" TO BE DETERMINED BY THE CUSTOMER.
  - 11 CONNECTOR KEEP-OUT ZONE.
  - 12. THE VOID CORING IN BETWEEN POWER MODULES, SIGNAL MODULES AND END MODULES ARE OPTIONAL AND THE SHAPE MAY BE DIFFERENT FOR OPTIMIZE THE MOLDING PROCESS. THE VOID CORING WILL NOT EFFECT TO PRODUCT FUNCTION.

mat'l code				tolerances unless otherwise specified			CUSTOMER		FCI		www.fciconnect.com	
ltr	ecr no.	dr	date	linear	0.X ± 0.5			COPY		projection	title	
A					0.XX ± 0.25			MIM			2P + 12S + 2P VERTICAL SOLDER RECEPT	
					0.XXX ± 0.1			← MIM →			product family PwrBlade code	
				angles	0° ± 2°			scale		size		
				dr	PB PENG	12/04/10	1:1		A		213	
				enrg	PB PENG	12/04/10			dwg no		sheet	
				chr	PM ZHENG	12/04/10			51940-378		4 of 4	
				appd	JOSEPH HSIA	12/04/10						
sheet index	revision sheet											

cage code 22526

Pro/E