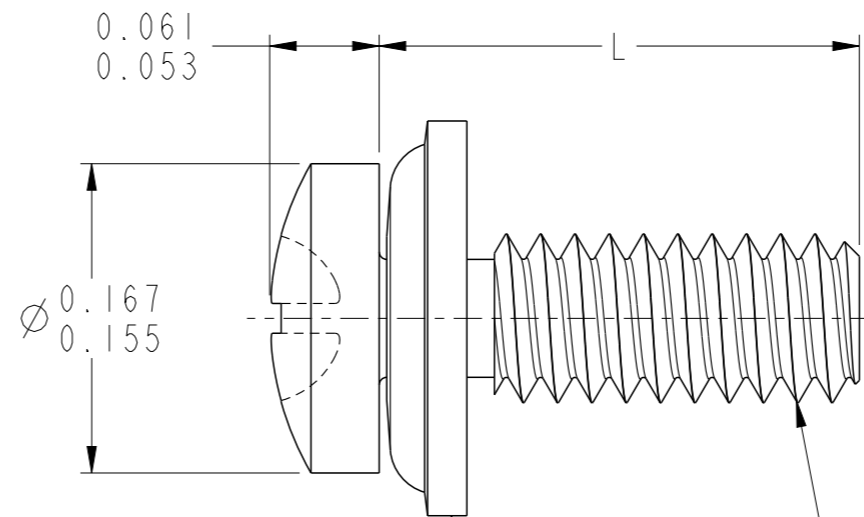
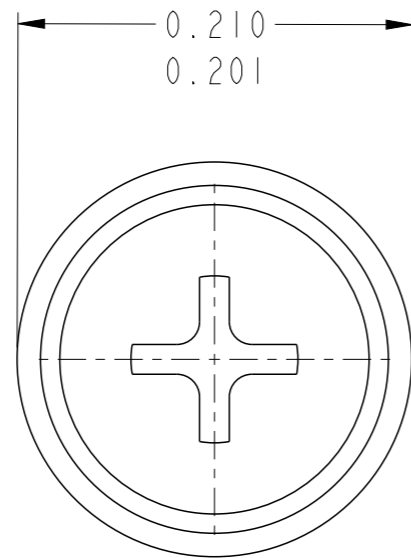
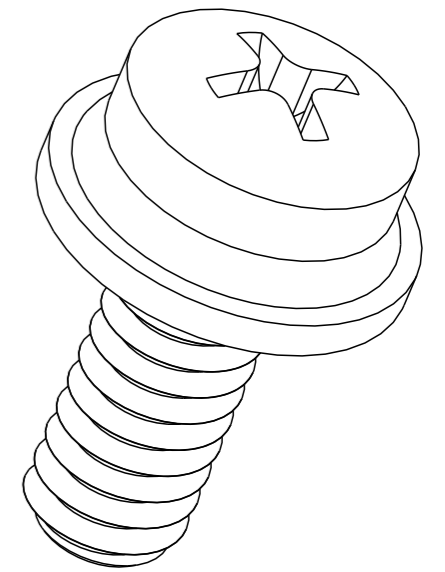


PART NUMBER	"L" DIM
10091790-001LF	.250" ^{+.000} -.020
10091790-002LF	.375" ^{+.000} -.020
10091790-003LF	.500" ^{+.000} -.020
10091790-004LF	.625" ^{+.000} -.020



SQUARE CONE LOCK WASHER

2-56 UNC-2A THREAD

NOTES:

- MATERIAL: SCREW: 18-8 STAINLESS STEEL PER ASTM F593
WASHER: 410 STAINLESS STEEL
- DRIVE SIZE: #1 PHILLIPS

spec ref	-	dr	Jim Swain	2010/01/26	projection	INCH	size	A3	scale	10:1	
tolerance std	ASME Y14.5	eng	Jim Swain	2011/05/19			ecn no		-		
	TOLERANCES UNLESS OTHERWISE SPECIFIED	chr	-	-			rel level		Released		
surface	✓	appr	Steve Minich	2011/05/19	product family	-	rel level	Released			
	ASME Y14.5	linear	0.X	±-		SCREW, SEMS, PAN-HEAD, PHILLIPS, #2-56 THREADED	dwg no 10091790	rev		A	
			0.XX	±-				cat. no.		SEE P/N TABLE	
		angular	0°	±°				Product - Customer Drw		sheet 1 of 1	