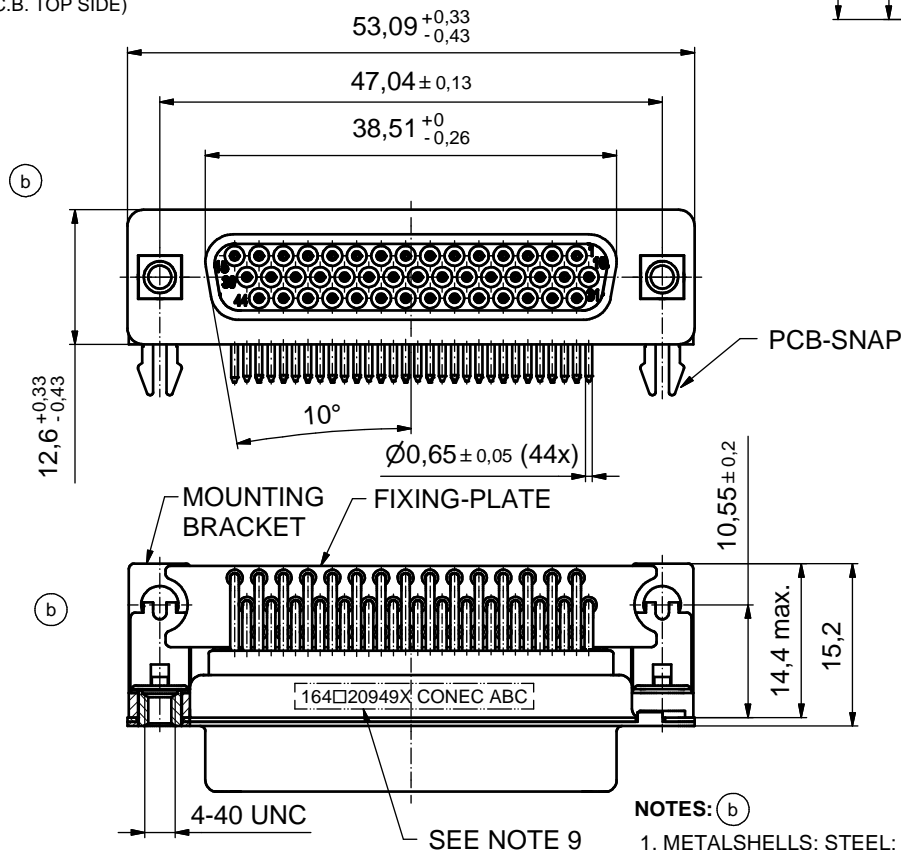
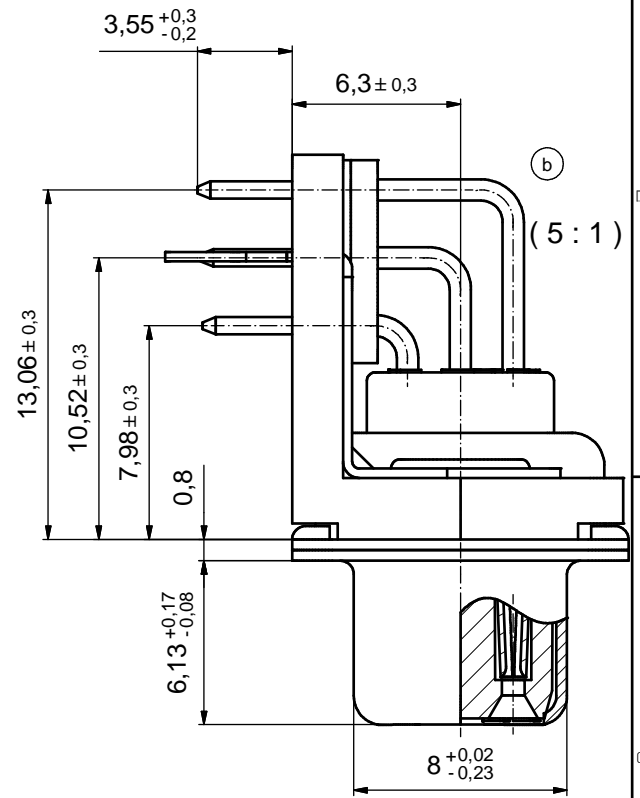


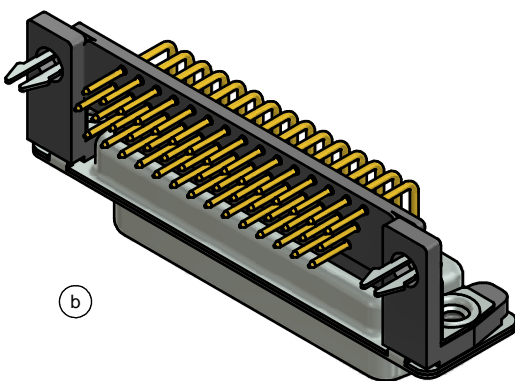
P.C.B. HOLE DRILLINGS

(P.C.B. TOP SIDE)



NOTES: (b)

1. METALSHELLS: STEEL; min. 315µin TIN over 40-80µin NICKEL
2. INSULATORS: PBT GF UL 94 V-0, BLACK
3. CONTACTS: COPPER ALLOY; PLATING (SEE PART NO.):
 - PLEASE ADD A for GOLD FLASH over NICKEL (PREFERRED TYPE)
 - PLEASE ADD B for 20µin HARD GOLD over min. 50µin NICKEL
 - PLEASE ADD C for 30µin HARD GOLD over min. 50µin NICKEL
4. MOUNTING BRACKETS: PBT GF UL 94 V-0, BLACK
5. THREADED INSERTS: COPPER ALLOY; min. 200µin TIN over 80µin NICKEL
6. GROUNDING CLIPS: COPPER ALLOY; min. 200µin TIN over 80µin NICKEL
- PCB-HOLE: $\phi 3.1 \pm 0.1$; PCB THICKNESS 1.6mm
7. FIXING-PLATE: PBT GF UL 94 V-0, BLACK
8. MAXIMUM TORQUE VALUE FOR THREAD: 6 in.LB
9. CONNECTOR IS PART MARKED: 164□20949X CONEC ABC (see note 3)



(b)

Directive 2002/95/EC RoHS compliant

THIS DRAWING MAY NOT BE COPIED OR REPRODUCED IN ANY WAY, AND MAY NOT BE PASSED ON TO A THIRD PARTY WITHOUT WRITTEN PERMISSION. OWNERSHIP AND COPYRIGHT OF CONEC GmbH DO NOT ALTER CAD DRAWING BY HAND				tolerance		scale: 2:1 (5:1)
				date	name	material: SEE NOTES
				drawn	23.05.2014	Heinrich
				appd.	23.05.2014	Lehmenkühler
				norm		
			d-old			
			7 x b	A5220	23.05.2014	Heinrich
			Original			
			rev.	description	date	name
						title: D-SUB HD FEMALE 90° 44pos. SOLDER PIN ANGLED 0,350inch threaded insert, mounting bracket, fixing plate, grounding clip
						dwg no:
						sh: 1
						part no: (b) 164□20949X (see note 3)