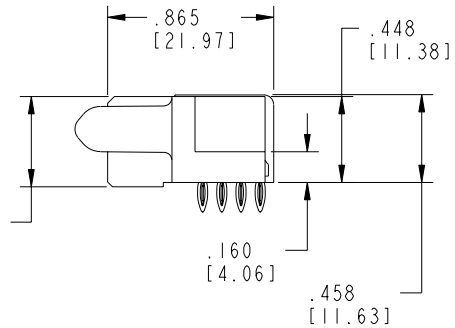
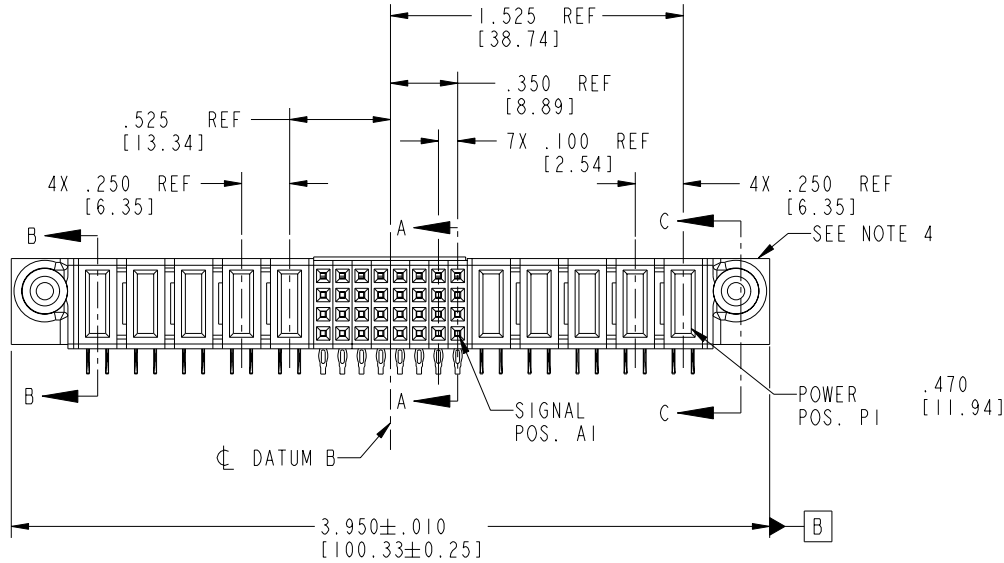
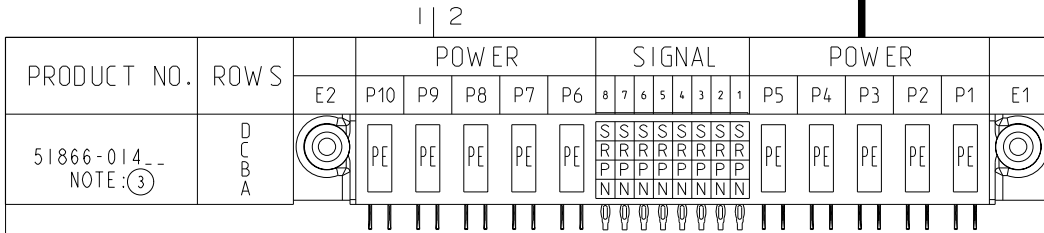


Tous droits strictement réservés. Reproduction ou communication a des tiers interdite sous quelque forme que ce soit sans autorisation écrite du propriétaire. Propriété de c FCI. Droits de reproduction FCI.

All rights strictly reserved. Reproduction or issue to third parties in any form whatever is not permitted without written authority from the proprietor. Property of FCI. Copyright FCI.

FCI



CODE	DIM "M"	MATING LENGTH	CONTACT TYPE
N	N/A	[N/A]	SIGNAL
P	N/A	[N/A]	SIGNAL
R	N/A	[N/A]	SIGNAL
S	N/A	[N/A]	SIGNAL
PE	.042	[1.07]	POWER

mat'l code				SEE NOTE 2		tolerances unless otherwise specified		CUSTOMER		 www.fciconnect.com	
ltr	ecn no.	dr	date	linear	.XX±.01/0.X±0.3	projection		COPY		title	
A	V21846	TAB	12/09/02	angles	.XXY±.005/0.XX±0.13			A		5P + 32S + 5P	
B	DG05-0201	GuoJM	07/04/05		.XXX±.0020/0.XXX±0.051			R/A		PwrBlade	
				dr	T. BRUNGARD 12/09/02	INCH/MM		product family		code	
				enrg	M. MOSTOLLER 12/09/02	scale		size		213	
				chr	M. MOSTOLLER 12/09/02	1:1		dwg no		sheet	
				oppd	M. MOSTOLLER 12/09/02			A		1 of 4	
sheet index		revision sheet		B	B	B	B	cage code		4	
		1	2	3	4			51866		2	

Pro/E

PDM: Rev: B

STATUS: **Released**

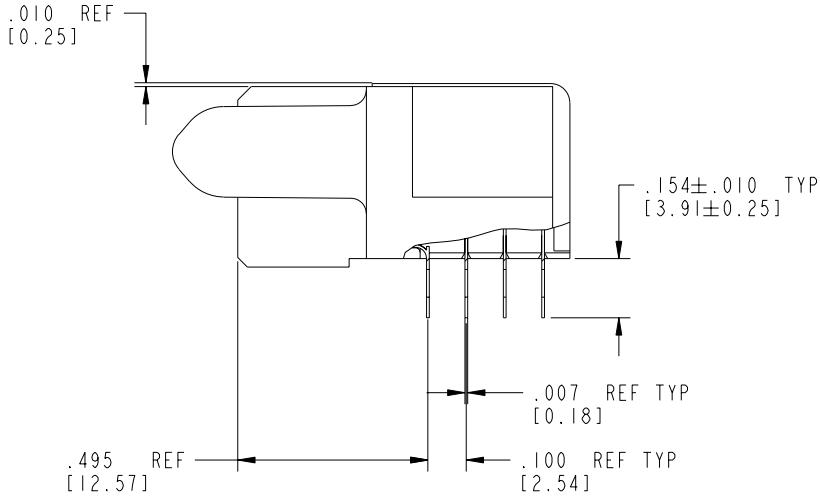
Printed: Oct 08, 2006

Tous droits strictement réservés. Reproduction ou communication a des tiers interdite sous quelque forme que ce soit sans autorisation écrite du propriétaire. Propriété de c FCI. Droits de reproduction FCI.

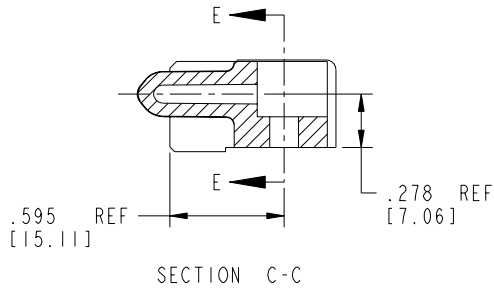
All rights strictly reserved. Reproduction or issue to third parties in any form whatever is not permitted without written authority from the proprietor. Property of FCI. Copyright FCI.

FCI

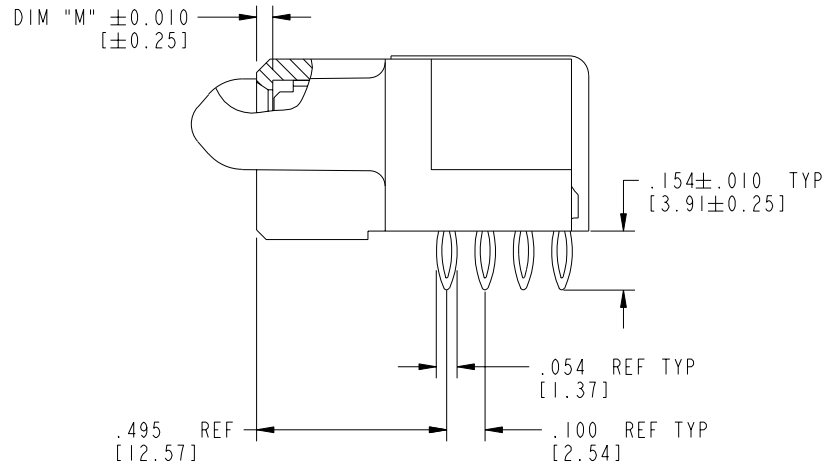
PRODUCT NUMBER
51866-014__
NOTE:③



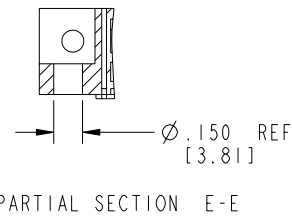
BROKEN-OUT SECTION A-A
SCALE 2:1



SECTION C-C



BROKEN-OUT SECTION B-B
SCALE 2:1



PARTIAL SECTION E-E

mat'l code		SEE NOTE 2		tolerances unless otherwise specified		CUSTOMER		FCI		www.fciconnect.com	
lir	ecn no.	dr	date	linear	.XX±.01/0.X±0.3	projection	COPY		title		
B					.XXY±.005/0.XX±0.13		5P + 32S + 5P		R/A PRESS-FIT RECEPTACLE		
				angles	.XXX±.0020/0.XXX±0.051		product family		PwrBlade		
				dr	T. BRUNGARD 12/09/02		size		213		
				engr	M. MOSTOLLER 12/09/02		dwg no		sheet		
				chr	M. MOSTOLLER 12/09/02		A 51866-014		2 of 4		
				appd	M. MOSTOLLER 12/09/02		scale		1:1		
sheet index		revision sheet									

Pro/E

PDM: Rev: B

STATUS: **Released**

Printed: Oct 08, 2006

1 | 2

3 |

4

A

A

B

B

1 | 2

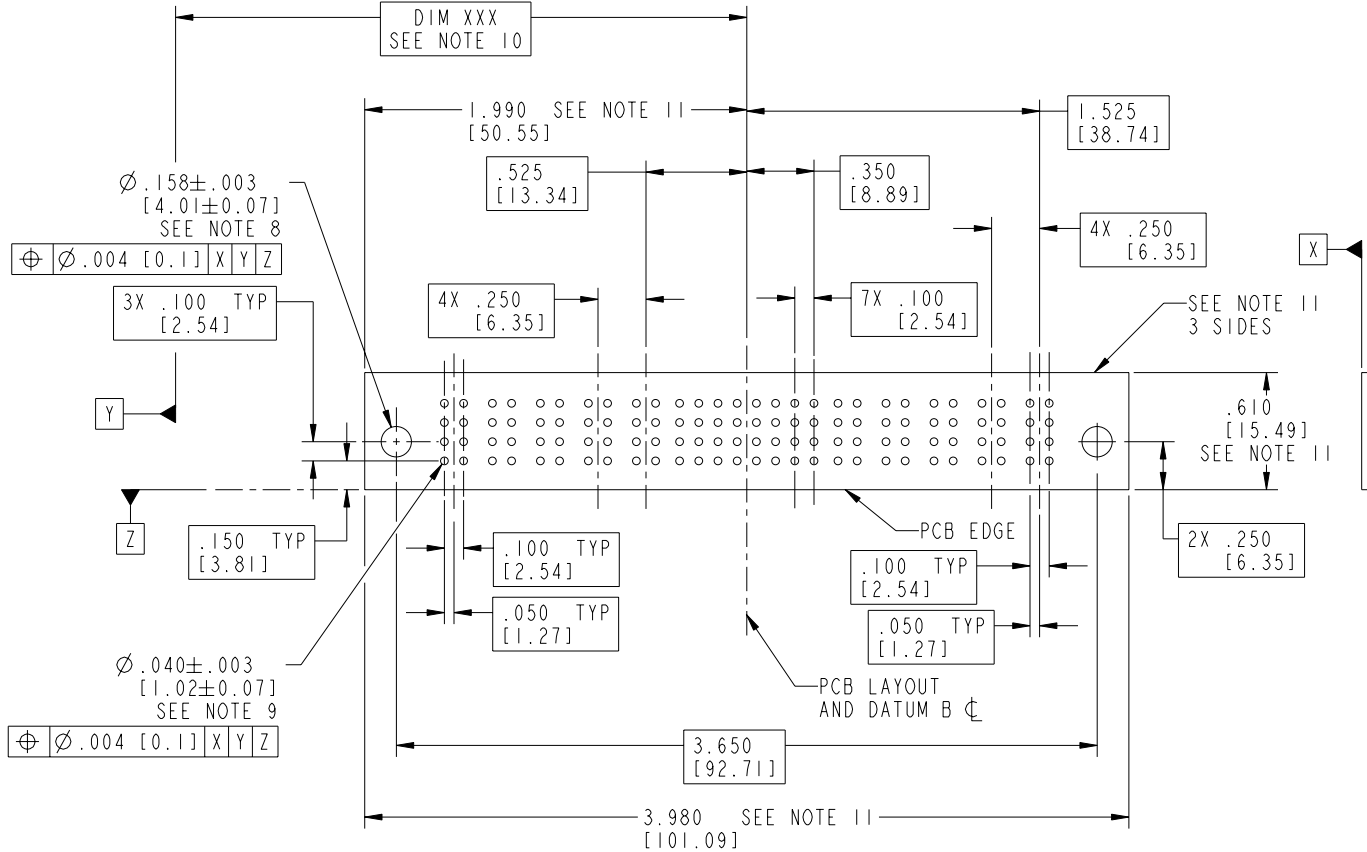
4

Tous droits strictement réservés. Reproduction ou communication a des tiers interdite sous quelque forme que ce soit sans autorisation écrite du propriétaire. Propriété de c FCI. Droits de reproduction FCI.

All rights strictly reserved. Reproduction or issue to third parties in any form whatever is not permitted without written authority from the proprietor. Property of FCI. Copyright FCI.



PRODUCT NUMBER
51866-014__
NOTE:③



mat'l code		SEE NOTE 2		tolerances unless otherwise specified		CUSTOMER		 www.fciconnect.com	
ltr	ecn no.	dr	date	linear	.XX±.01/0.X±0.3	COPY		title	
B				linear	.XXY±.005/0.XX±0.13	projection		5P + 32S + 5P	
				angles	.XXX±.0020/0.XXX±0.051			R/A PRESS-FIT RECEPTACLE	
					0°±2°	INCH/MM		product family	
				dr	T. BRUNGARD 12/09/02	scale		PwrBlade	
				enrg	M. MOSTOLLER 12/09/02	1:1		code	
				chr	M. MOSTOLLER 12/09/02			213	
				appd	M. MOSTOLLER 12/09/02			sheet	
sheet index		revision sheet						3 of 4	
								A 51866-014	

A

A

B

B

PRODUCT NUMBER

51866-014__
NOTE:③

NOTES:

1. DIMENSIONS AND TOLERANCES ARE IN ACCORDANCE WITH ASME Y14.5M, 1994 UNLESS OTHERWISE SPECIFIED.

CONNECTOR NOTES:

② HOUSING MATERIAL: UL 94 V-0 GLASS FILLED
HIGH-TEMP THERMOPLASTIC
POWER CONTACT MATERIAL: COPPER ALLOY
SIGNAL PIN MATERIAL: COPPER ALLOY

3. PLATING:
51866-014 Singal Pin:30u"/0.76um Au OVER 50u"/1.27um Ni ON THE CONTACT AREA,
AND 100u"/2.54um SnPb PLATING OVER 50u"/1.27um Ni ON THE TERMINATION SECTION.
Power Pin:30u"/0.76um Au OVER 50u"/1.27um Ni ON THE CONTACT AREA,
AND 100u"/2.54um SnPb PLATING OVER 50u"/1.27um Ni ON THE TERMINATION SECTION.

51866-014LF Singal Pin:30u"/0.76um Au OVER 50u"/1.27um Ni ON THE CONTACT AREA,
AND 78u"/2.00um Sn PLATING OVER 50u"/1.27um Ni ON THE TERMINATION SECTION.
Power Pin:30u"/0.76um Au OVER 50u"/1.27um Ni ON THE CONTACT AREA,
AND 78u"/2.00um Sn PLATING OVER 50u"/1.27um Ni ON THE TERMINATION SECTION.

PART NUMBER 51866-014LF MEETS EUROPEAN UNION DIRECTIVE AND OTHER COUNTRY REGULATIONS AS DESCRIBED IN GS-22-008.

THE HOUSING WILL WITHSTAND EXPOSURE TO 260° PEAK TEMPERATURE FOR 10 SECONDS IN A WAVE SOLDER APPLICATION WITH A CIRCUIT BOARD.

④ MANUFACTURER'S NAME, P/N, AND DATE CODE TO APPEAR ON THIS SURFACE.

5. PRODUCT SPECIFICATION GS-12-149.
APPLICATION SPECIFICATION BUS-20-067.

6. PACKAGED IN TRAYS.

PCB NOTES:

7. ALL HOLE DIAMETERS ARE FINISHED HOLE SIZE.


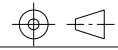

⑧ MOUNTING HOLES, WHERE APPLICABLE, ARE UNPLATED.

⑨ $\varnothing .0453 \pm .0010$ [1.151 ± 0.025] DRILLED HOLES PLATED WITH
.0003 [0.008] MIN SnPb OVER .001 [0.03]
TO .003 [0.08] Cu PLATING TO ACHIEVE
 $\varnothing .040 \pm .003$ [1.02 ± .07] HOLE.

⑩ "DIM XXX" TO BE DETERMINED BY THE CUSTOMER.

⑪ CONNECTOR KEEP-OUT ZONE.

12. USE FCI CAM TOOL 430140-XXX
TO APPLY CONNECTOR TO PCB.

mat'l code		SEE NOTE 2		tolerances unless otherwise specified		CUSTOMER		 www.fciconnect.com	
ltr	ecn no.	dr	date	linear	.XX±.01/0.X±0.3	COPY		title	
B					.XXX±.005/0.XX±0.13	projection		5P + 32S + 5P	
				angles	.XXX±.002/0.XXX±0.051			R/A PRESS-FIT RECEPTACLE	
				dr	T.BRUNGARD 12/09/02	INCH/MM		product family	
				engr	M.MOSTOLLER 12/09/02			PwrBlade	
				chr	M.MOSTOLLER 12/09/02	scale		code	
				appd	M.MOSTOLLER 12/09/02	1:1		213	
sheet index		revision sheet						size	
								A 51866-014	
								sheet 4 of 4	

Tous droits strictement réservés. Reproduction ou communication a des tiers interdite sous quelque forme que ce soit sans autorisation écrite du propriétaire. Propriete de c FCI. Droits de reproduction FCI.

A
FCI

All rights strictly reserved. Reproduction or issue to third parties in any form whatever is not permitted without written authority from the proprietor. Property of FCI. Copyright FCI.

B