

4

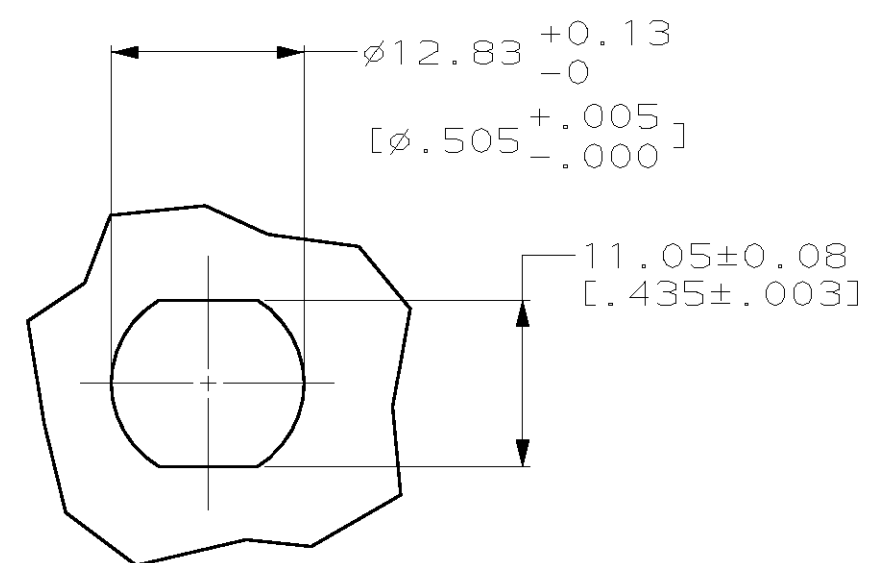
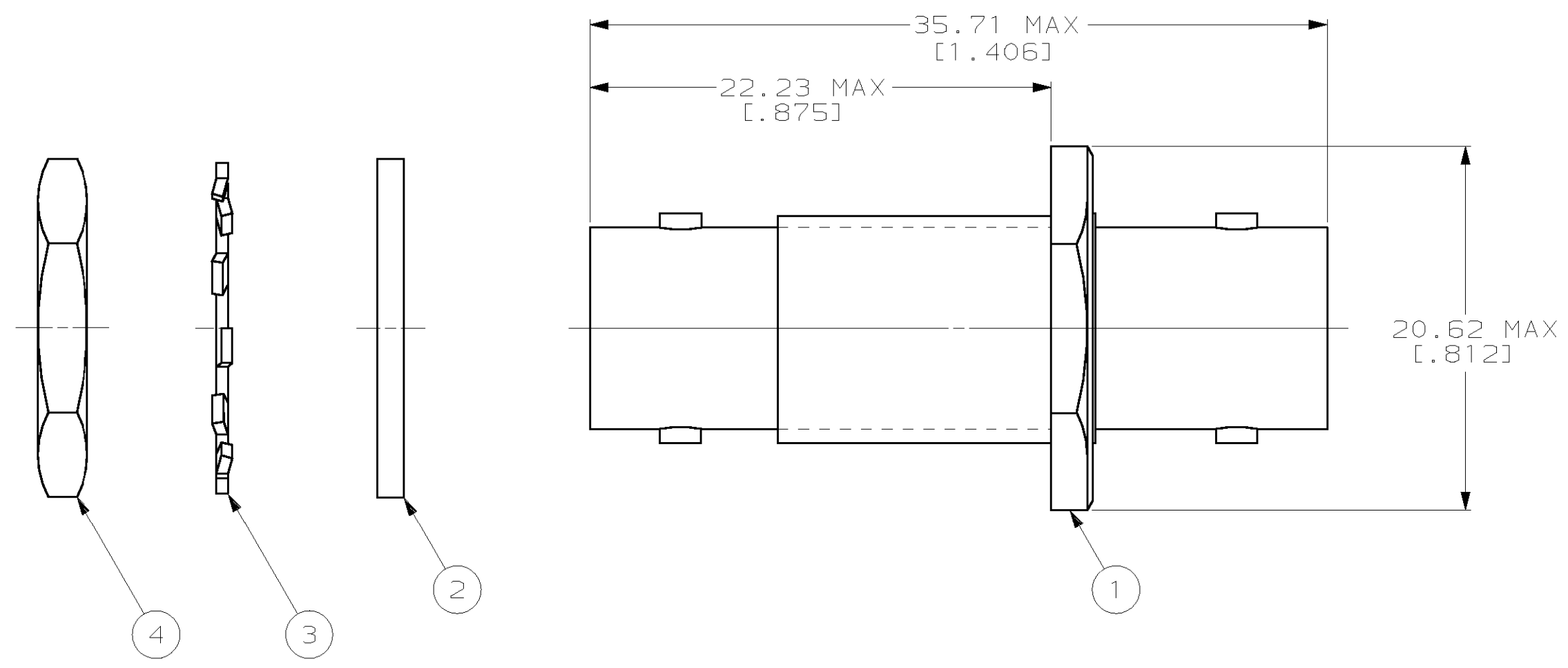
3

2

1

THIS DRAWING IS UNPUBLISHED. RELEASED FOR PUBLICATION ,19 .  
© COPYRIGHT 19 BY AMP INCORPORATED. ALL RIGHTS RESERVED.

LOC	DIST	REVISIONS		
AJ	16	P	LTR	DESCRIPTION
		C		REV PER 0U20-0200-01
				DATE
				04APR01
				DWN
				MO
				APVD
				JL



MAXIMUM PANEL THICKNESS: 3.18 [.125]

SUGGESTED PANEL CUT-OUT  
SCALE 2:1

329631	329632	329633	332213	332215
JAM NUT	LOCKWASHER	GASKET	ADAPTOR ASSY	PART NUMBER
④ QTY=1	③ QTY=1	② QTY=1	① QTY=1	

THIS DRAWING IS A CONTROLLED DOCUMENT.

DIMENSIONS: mm [INCHES]	TOLERANCES UNLESS OTHERWISE SPECIFIED:	DWN M. OBRINE 06JUL99	AMP Incorporated Harrisburg, PA 17105-3608
	0 PLC ±- 1 PLC ±- 2 PLC ±- 3 PLC ±- 4 PLC ±- ANGLES ±-	CHK J. HAVENER 06JUL99	
		APVD J. HAVENER 06JUL99	
		PRODUCT SPEC	
MATERIAL	FINISH	APPLICATION SPEC	NAME ADAPTER, SERIES TWIN BNC, FEED-THRU JACK
		WEIGHT	SIZE A3
		CUSTOMER DRAWING	CAGE CODE 00779
			DRAWING NO C-332215
			SCALE 4:1
			SHEET 1 OF 1
			REV C