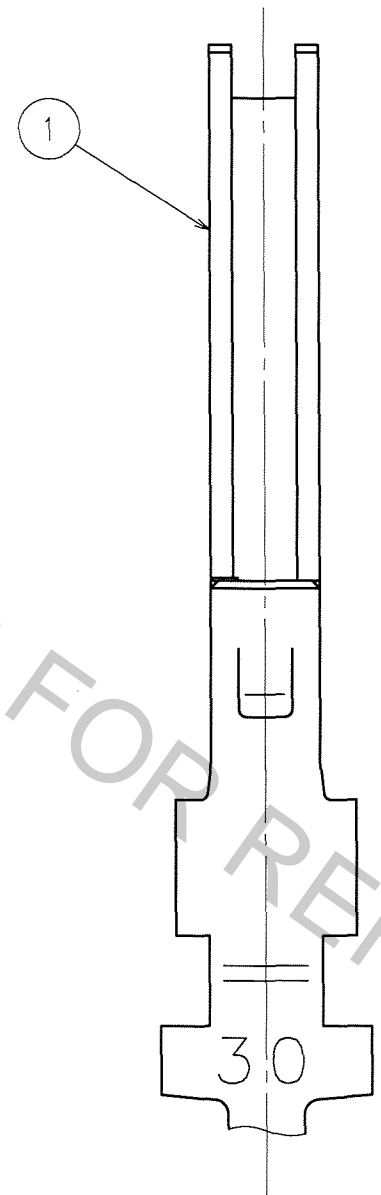
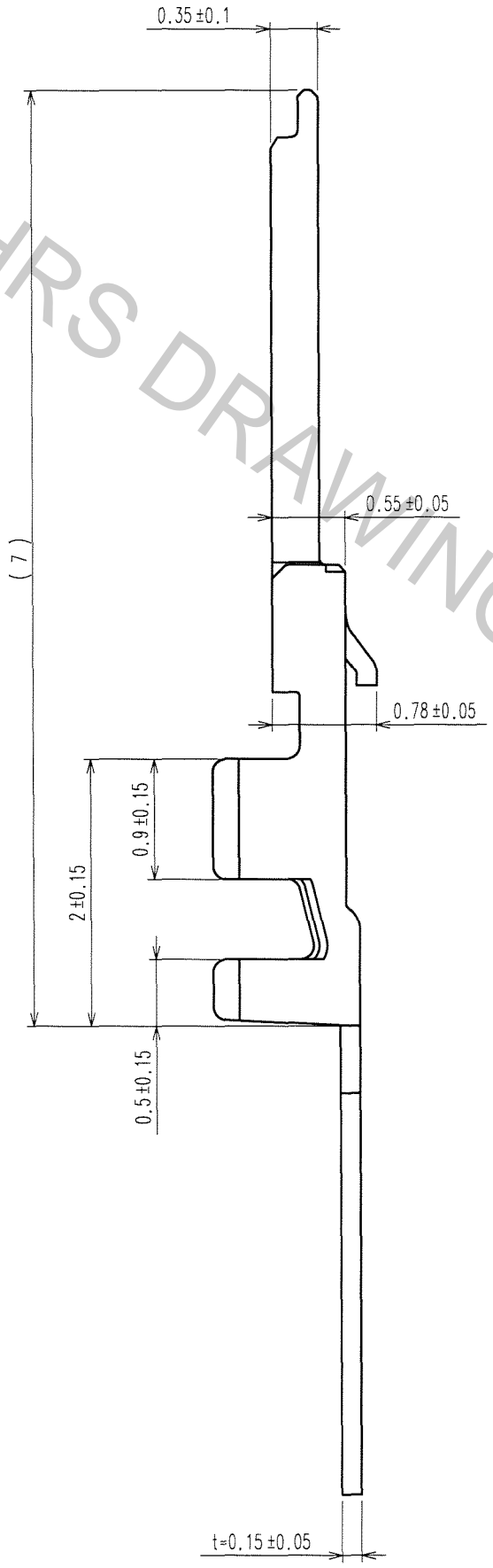
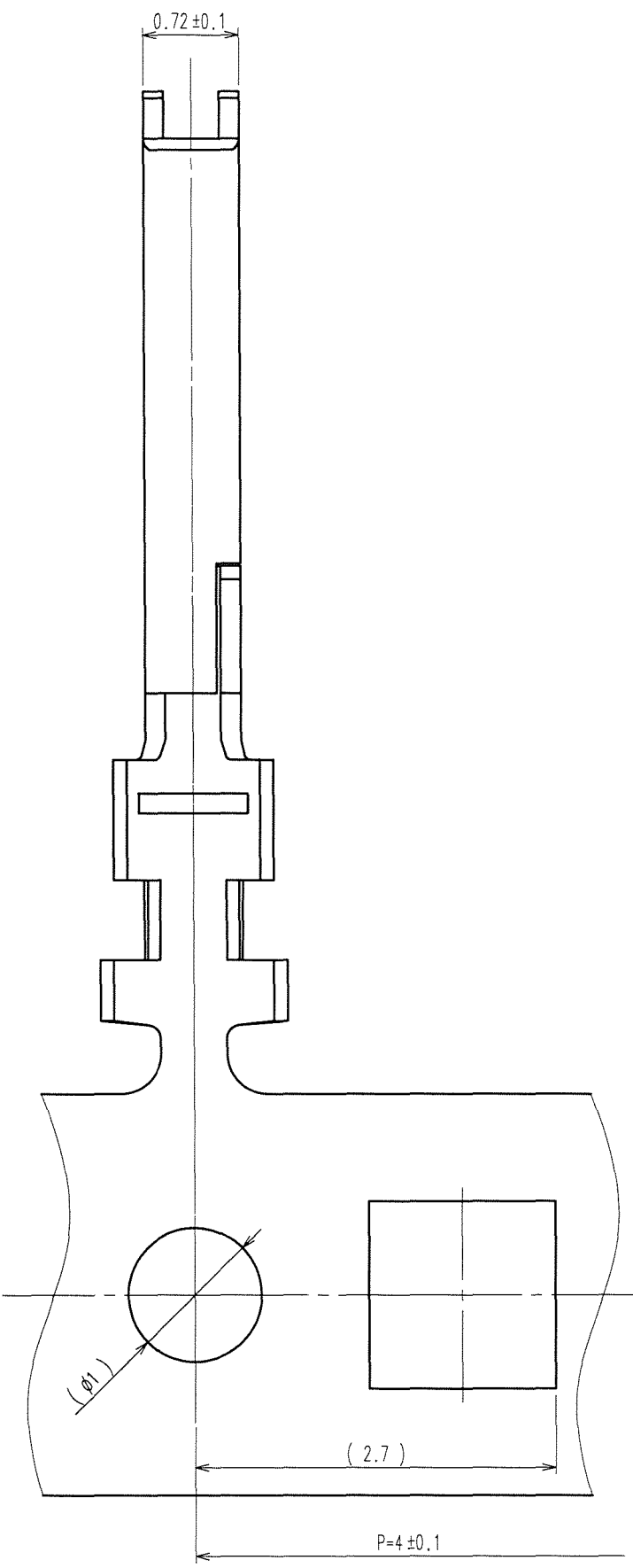
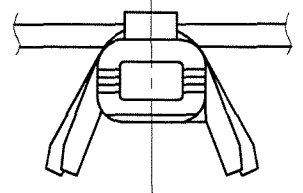


Apr.1.2017 Copyright 2017 HIROSE ELECTRIC CO., LTD. All Rights Reserved.

COUNT	DESCRIPTION OF REVISIONS	BY	CHKD	DATE	COUNT	DESCRIPTION OF REVISIONS	BY	CHKD	DATE
△				..	△				..
△				..	△				..
△				..	△				..



NOTE 1 1REEL:20000 TERMINAL  
2 THE DIMENSIONS IN PARENTHESES ARE FOR REFERENCE.

TO

NO. 1		MATERIAL PHOSPHOR BRONZE		FINISH, REMARKS CONTACT AREA:GOLD 0.1μ m min. BARREL AREA:TIN-PLATING 1μ m min. UNDER PLATING:NICKEL 0.5μ m min.	
NO.	MATERIAL	FINISH, REMARKS	NO.	MATERIAL	FINISH, REMARKS
CODE NO. (OLD) CL			DRAWN E. Wakatsuki 07.05.28	DESIGNED E. Wakatsuki 07.05.28	CHECKED H. Yamayoshi 07.05.29
			APPROVED H. Okawa 07.05.29	RELEASED ..	
DRAWING NO. EDC3-156913			PART NO. FX15-3032PCFB		
UNITS mm			CODE NO. CL575-2003-3		1/1