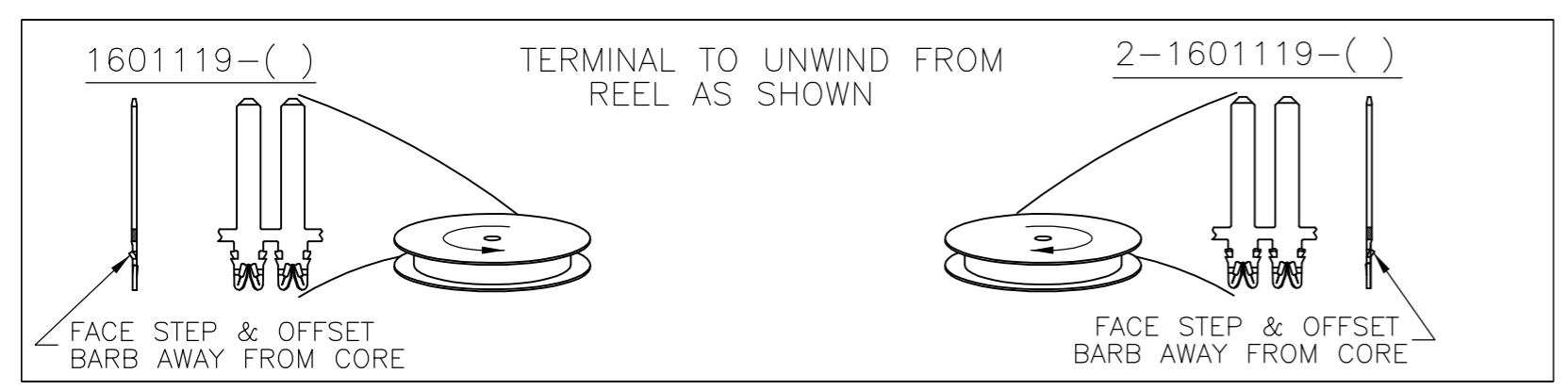
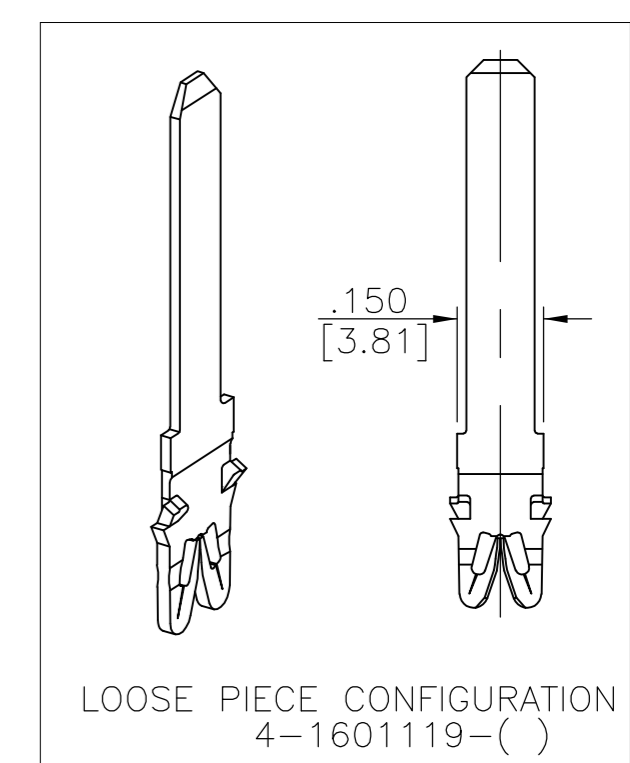
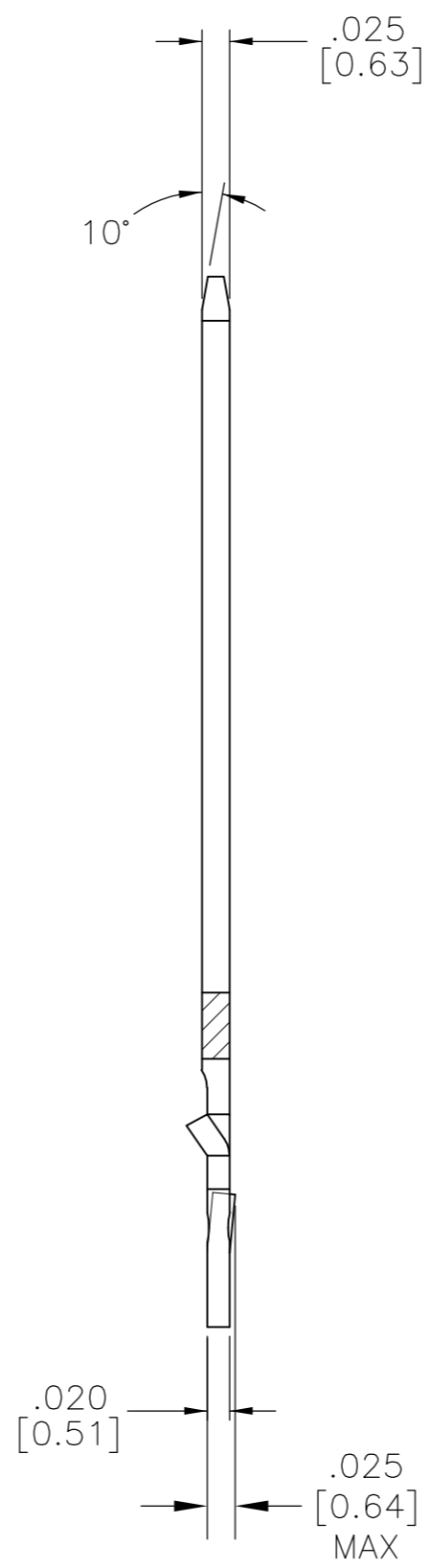
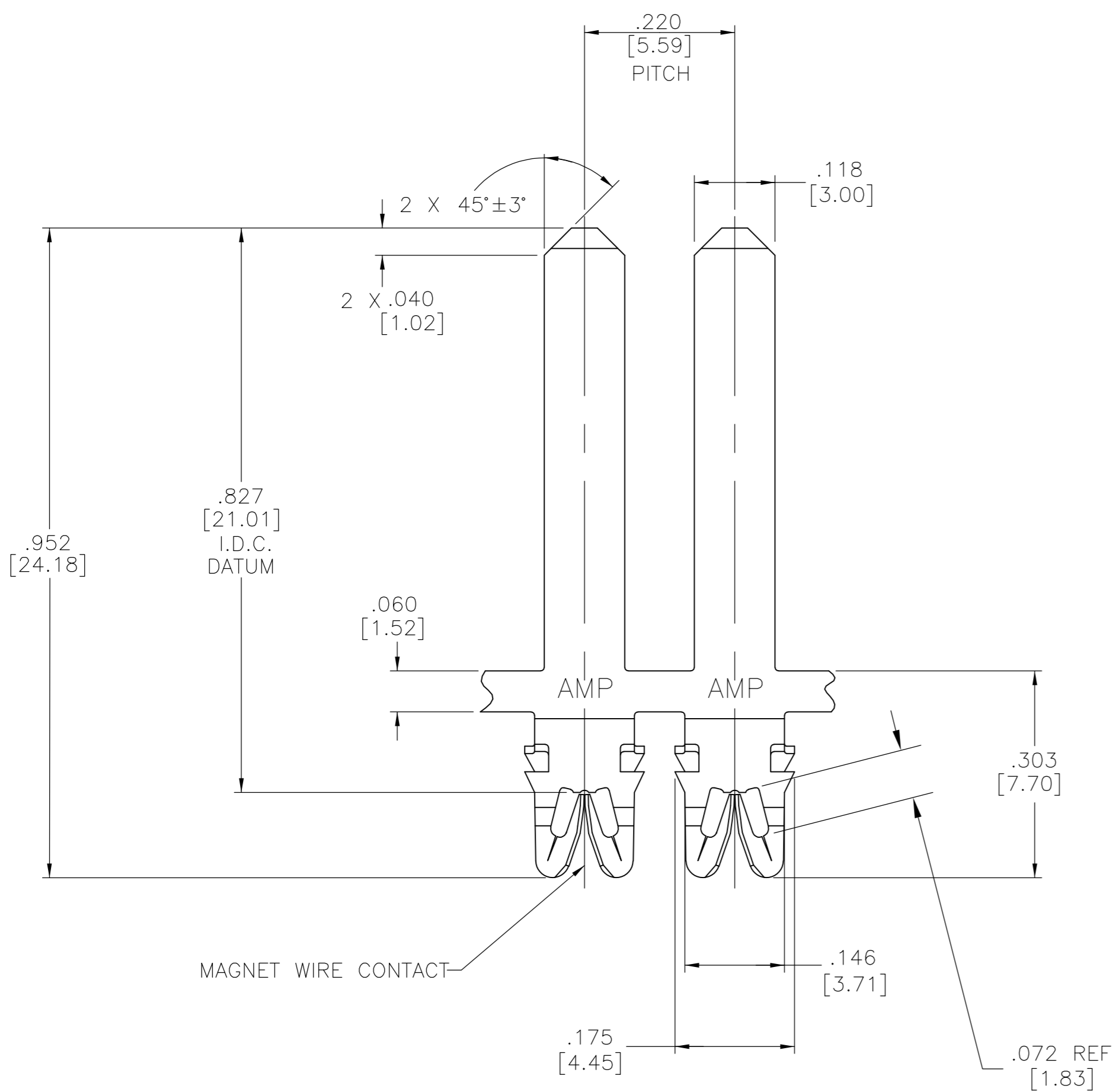


THIS DRAWING IS UNPUBLISHED. RELEASED FOR PUBLICATION
 © COPYRIGHT BY TYCO ELECTRONICS CORPORATION. ALL RIGHTS RESERVED.

LOC	DIST	REVISIONS			
P	LTR	DESCRIPTION	DATE	DWN	APVD
AF	50	F	REVISED PER ECR-07-029303	19FEB08	HMR GJ

- SPECIFICATIONS: MAGNET WIRE #27 - #36 AWG .015"(0.38mm) - .005"(0.13mm) DIA COPPER.
- POCKET RECOMMENDATION: FOR POCKET DESIGN SEE #1601475
- TERMINAL APPLICATION TO COMPLY WITH TYCO ELECTRONICS SPECIFICATION 114-13166 FIGURE 12.
- TERMINALS SUPPLIED ON REELS, CAN BE SUPPLIED LOOSE PIECE,



OBSOLETE	PRE-TIN PLATE	2-1601119-3
	PRE-TIN PLATE	2-1601119-2
OBSOLETE	PRE-TIN PLATE	1601119-3
	PRE-TIN PLATE	1601119-2
	FINISH	PART NUMBER

THIS DRAWING IS A CONTROLLED DOCUMENT.		DWN MICHAEL S. FEHER 26APR2002	Tyco Electronics Corporation Harrisburg, PA 17105-3608	
DIMENSIONS: INCHES		CHK GENE JACONO 26APR2002	NAME FINE RANGE WIRE TO .118 X .025 MULTI-BARB SIAMEZE TERMINAL	
TOLERANCES UNLESS OTHERWISE SPECIFIED:		APVD GENE JACONO 26APR2002	PRODUCT SPEC 108-2244	
0 PLC ± -		APPLICATION SPEC 3		
1 PLC ± -		SIZE A2		
2 PLC ± .01[0.25]		CAGE CODE 00779		
3 PLC ± .005[0.13]		DRAWING NO 1601119		
4 PLC ± -		RESTRICTED TO -		
ANGLES ± 2°		SCALE 6:1		
MATERIAL BRASS, 3/4 HARD	FINISH SEE TABLE	WEIGHT -	SHEET 1 of 1	REV F
CUSTOMER DRAWING		SCALE 6:1		