

Ethernet HART multiplexer - GW PL ETH/BASIC-BUS - 2702321


Please be informed that the data shown in this PDF Document is generated from our Online Catalog. Please find the complete data in the user's documentation. Our General Terms of Use for Downloads are valid (<http://phoenixcontact.com/download>)



Modular gateway Ethernet head station with Modbus TCP, HART IP, FDT/DTM. Supports five expansion modules.



Key Commercial Data

Packing unit	1 STK
GTIN	 4 055626 134390
GTIN	4055626134390

Technical data

Dimensions

Width	22.5 mm
Height	99 mm
Depth	114.5 mm

Ambient conditions

Ambient temperature (operation)	-40 °C ... 70 °C
Ambient temperature (storage/transport)	-40 °C ... 85 °C
Degree of protection	IP20

General

Test voltage data interface/power supply	500 V AC
Electromagnetic compatibility	Conformance with EMC Directive 2004/108/EC
Mounting position	any
Assembly instructions	on standard DIN rail NS 35 in accordance with EN 60715
Net weight	217 g
Color	gray
MTBF	292 Years (Siemens model SN29500, temperature 40°C, env. factor 1.5 and stress factor 50%)

Ethernet HART multiplexer - GW PL ETH/BASIC-BUS - 2702321

Technical data

General

Conformance	#
-------------	---

Power supply

Supply voltage range	19.2 V DC ... 30 V DC
Max. current consumption	62 mA (at 24 V DC)
Typical current consumption	45 mA (at 24 V DC)

Serial interface

Interface 1	Bus
Transmission length	≤ 100 m
Output nominal voltage	24 V DC
Maximum output current	3.937 A (per station)
Interface 2	Modbus/TCP, HART IP
Interface	Ethernet 10/100Base T
Connection method	RJ45 socket, auto negotiation and auto crossing
Protocols supported	TCP/IP, HART IP, Modbus/TCP

Function

Web-based management	yes
----------------------	-----

Standards and Regulations

Electromagnetic compatibility	Conformance with EMC Directive 2004/108/EC
Conformance	#
Noxious gas test	ISA-S71.04-1985 G3 Harsh Group A
UL, USA/Canada	Class I, Div. 2, Groups A, B, C, D

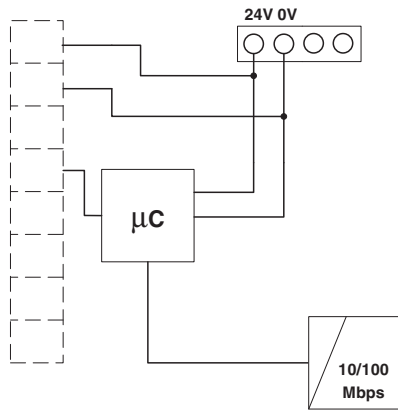
Environmental Product Compliance

China RoHS	Environmentally Friendly Use Period = 50
	For details about hazardous substances go to tab "Downloads", Category "Manufacturer's declaration"

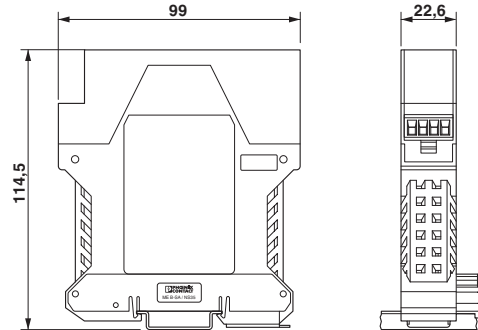
Drawings

Ethernet HART multiplexer - GW PL ETH/BASIC-BUS - 2702321

Block diagram



Dimensional drawing



Approvals

Approvals

Approvals

UL Listed / cUL Listed / cULus Listed

Ex Approvals

UL Listed / cUL Listed / cULus Listed

Approval details

UL Listed		http://database.ul.com/cgi-bin/XYV/template/LISEXT/1FRAME/index.htm	FILE E 238705
-----------	--	---	---------------

cUL Listed		http://database.ul.com/cgi-bin/XYV/template/LISEXT/1FRAME/index.htm	FILE E 238705
------------	--	---	---------------

cULus Listed			
--------------	--	--	--

Phoenix Contact 2018 © - all rights reserved
<http://www.phoenixcontact.com>

PHOENIX CONTACT GmbH & Co. KG
Flachsmarktstr. 8
32825 Blomberg
Germany
Tel. +49 5235 300
Fax +49 5235 3 41200
<http://www.phoenixcontact.com>