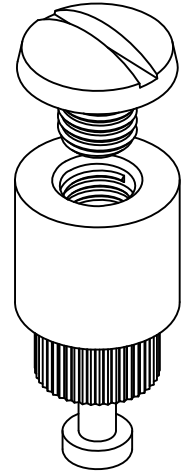
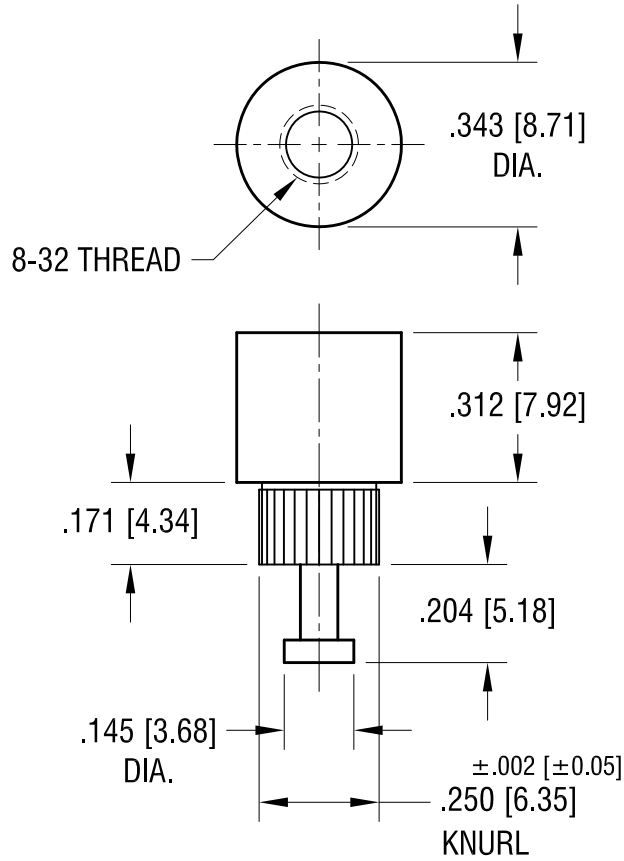


THIS DOCUMENT IS THE PROPERTY OF  
KEYSTONE ELECTRONICS CORP. AND  
SHALL NOT BE REPRODUCED, DISTRIBUTED  
OR USED AS A BASIS FOR MANUFACTURE  
WITHOUT PRIOR WRITTEN PERMISSION  
FROM KEYSTONE ELECTRONICS CORP.



NOTES:

1. TERMINAL:  
MAT'L - BRASS, MATTE TIN PLATE  
SCREW:  
MAT'L - STEEL, ZINC PLATE
2. (1) ONE 8-32 x 3/16 L.  
SCREW SUPPLIED LOOSE.

<b>KEYSTONE ELECTRONICS CORP.</b>			
www.keyelco.com • ASTORIA, N.Y. 11105-2017 • Tel (718) 956-8900			
PART NAME			
BINDING POST SCREW TERMINAL			
MATERIAL			
AS NOTED			
FINISH		DRN BY	DATE
AS NOTED		BOONE	1.14.83
		APP'D	SCALE
		LN	2.5X
TOLERANCES	INCH [MM]	CODE	DWG NO.
DECIMAL	± .005 [± 0.15]	C	<b>1536</b>
ANGULAR	± 1°		
UNLESS OTHERWISE SPECIFIED			

7.16.09	CHANGE AS PER ECN 09-109	D
1.13.06	CHANGE AS PER ECN 06-005	C
DATE	DESCRIPTION	REV.