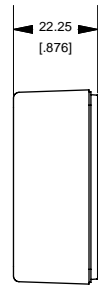
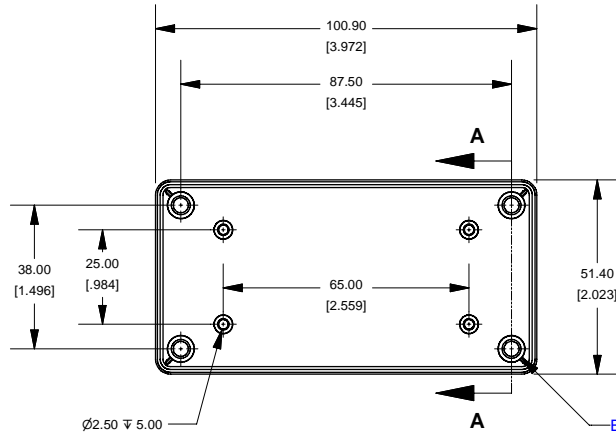


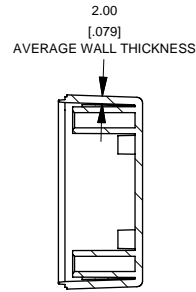
1591XXAFL Enclosure



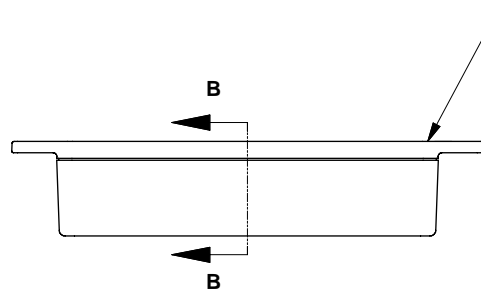
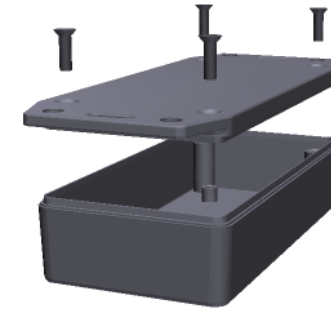
SIDE VIEW OF BOX



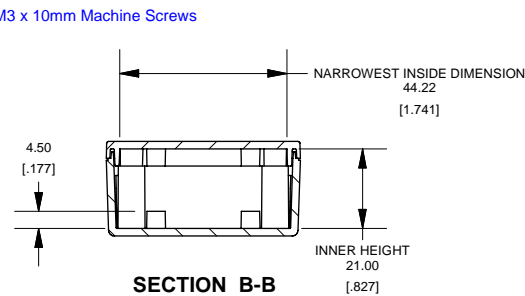
TOP VIEW OF BOX



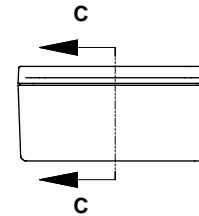
SECTION A-A



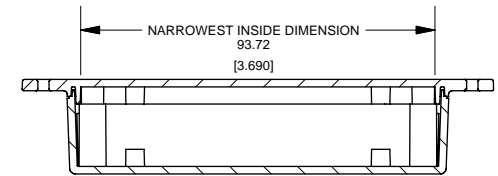
SIDE VIEW OF ENCLOSURE



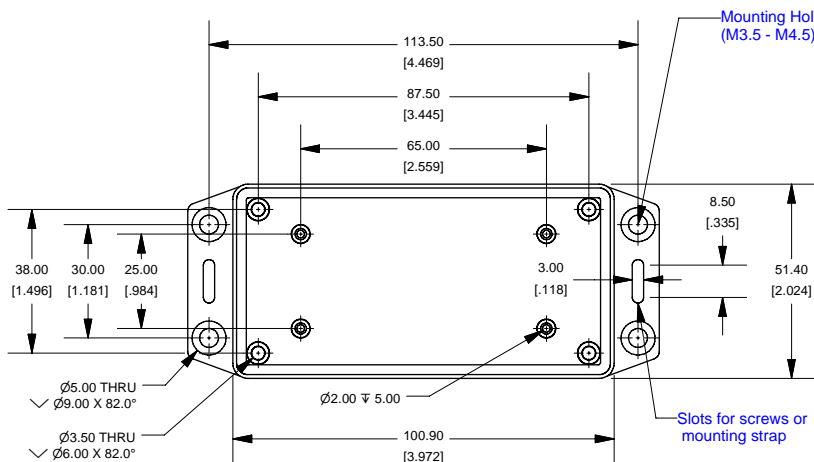
SECTION B-B



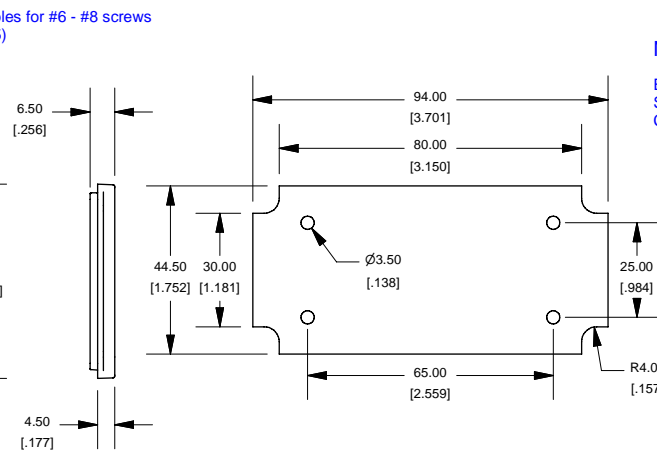
END VIEW OF ENCLOSURE



SECTION C-C



BOTTOM VIEW OF LID



SIDE VIEW OF LID

Note:

Enclosures can be Factory Modified (Milling, Drilling, Printing etc.)
Solid models of this enclosure available in STEP or IGES.
Contact Factory mjm@hammondmfg.com

NOTE	
Enclosure molded from FRABS UL 94-V0 Plastic. Other materials / Colours Available Consult Factory	

1591XXA	
1591XXA Flanged Lid Enclosure	
Black Enclosure - RAL 7011	1591XXAFLBK
Gray Enclosure - RAL 7035	1591XXAFLGY
ACCESSORIES	
Black Enclosure Cover Screws (Pkg 100)	1591MS100BK
Gray Enclosure Cover Screws (Pkg 100)	1591MS100
P.C. Board Screws (All Boxes)	
P.C. Board Screws (#4 x 1/4" self-tapping (6.4mm))	1593ATS50 (Pkg 50) 1593ATS100 (Pkg 100)

Max Size PCB. Fits in Box or in Lid.
Not supplied with Enclosure

