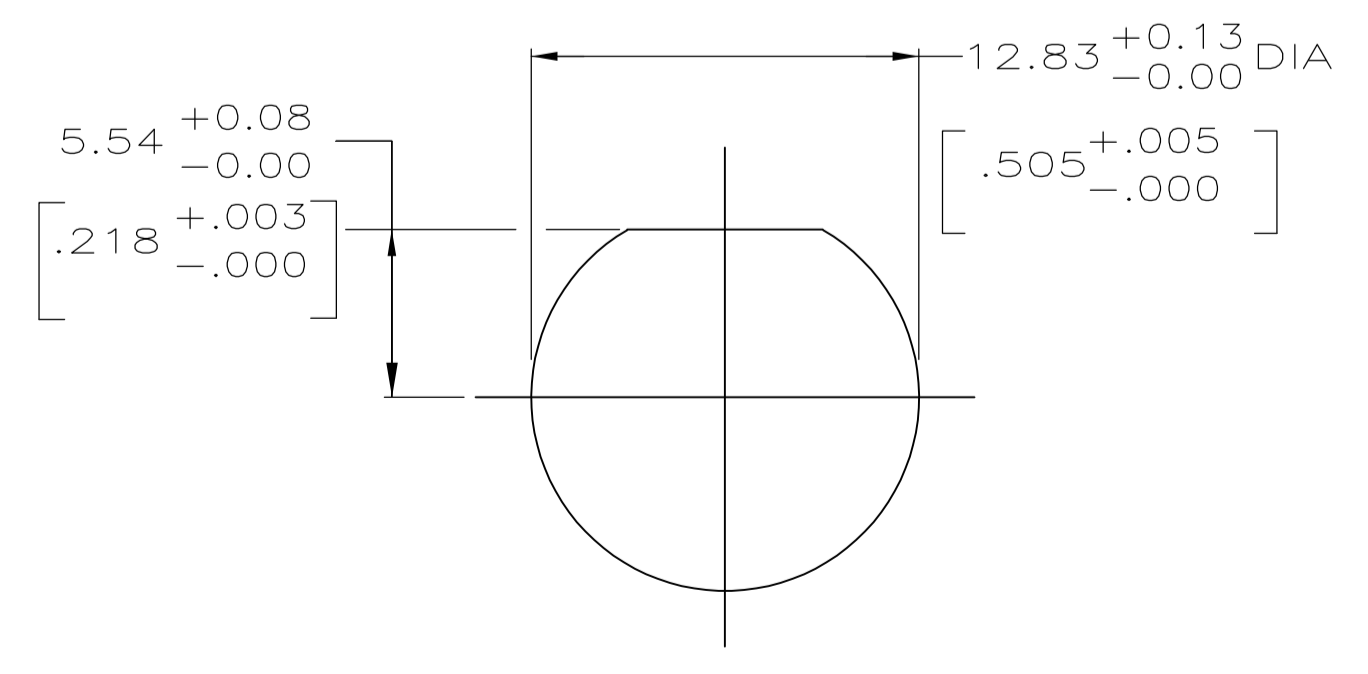
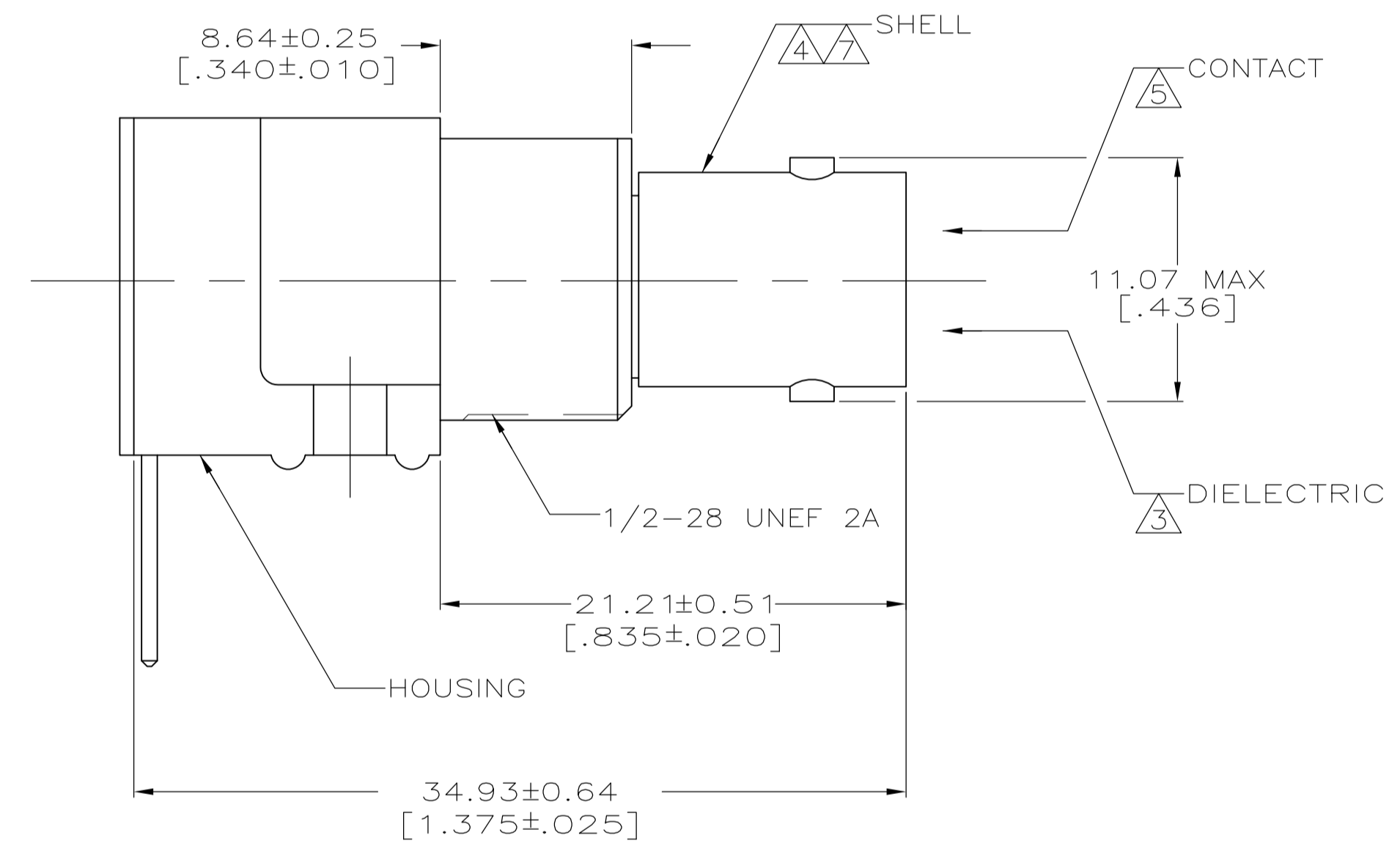
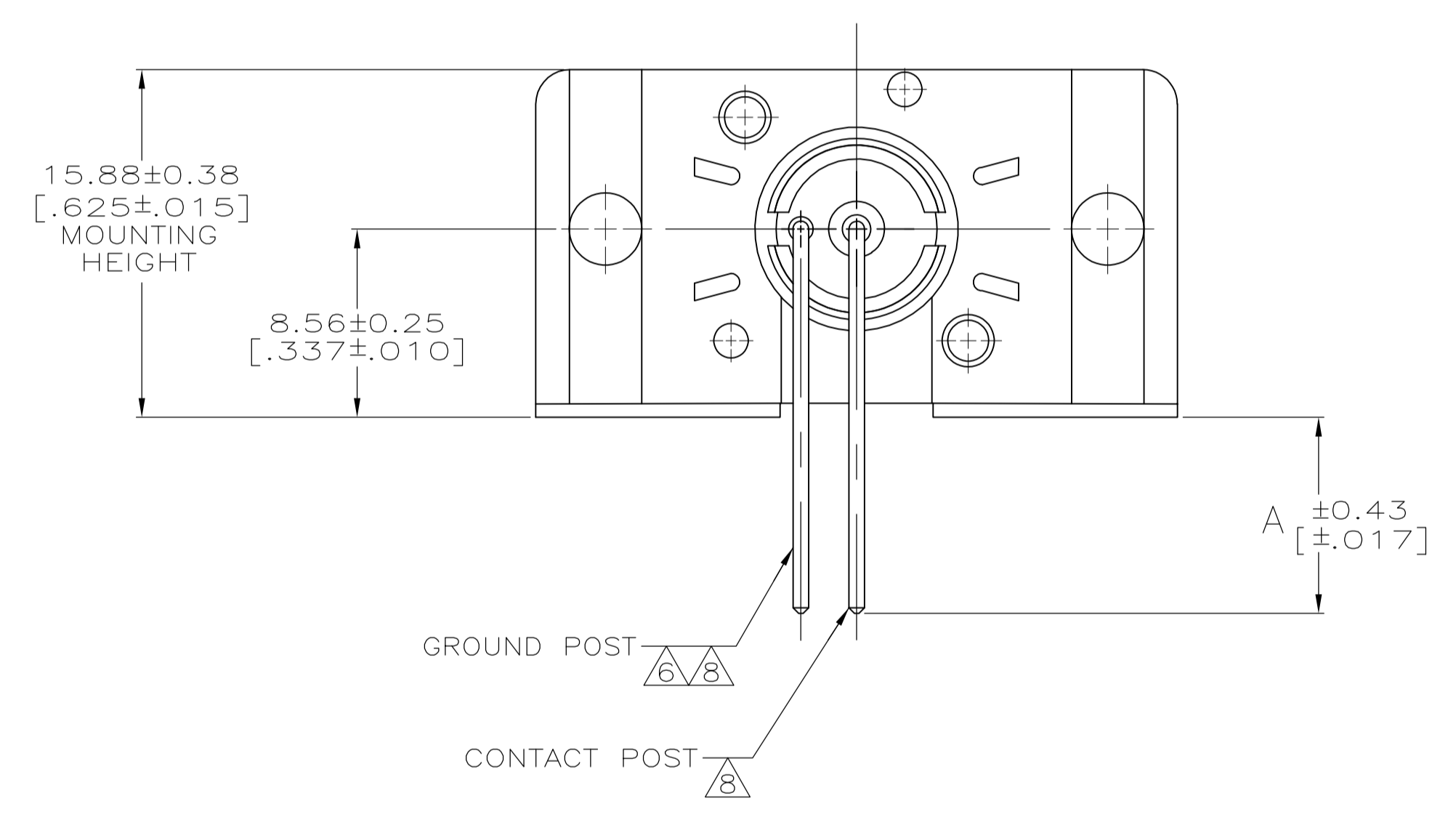
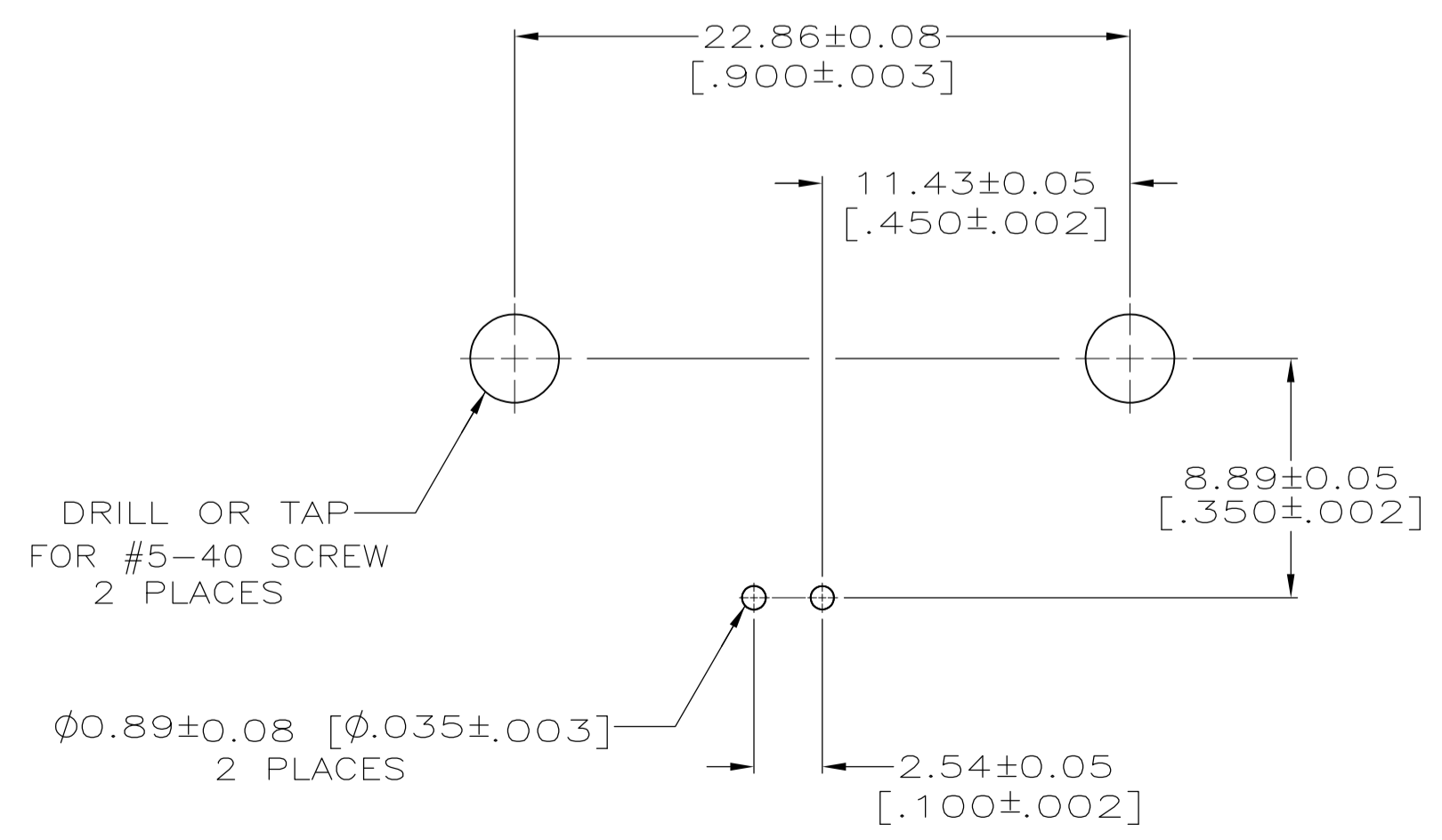


- 1 POLYESTER PBT PER MIL-M-24519, TYPE GPT-15F, UL94V-O RATED, COLOR:NATURAL
- 2 POLYESTER PBT PER MIL-M-24519, TYPE GPT-15F, UL94V-O RATED, COLOR:BLACK
- 3 POLYMETHYLPENTENE, GENERAL PURPOSE.
- 4 ZINC PER QQ-Z-363.
- 5 PHOSPHOR BRONZE PER QQ-B-750.
- 6 BRASS PER ASTM-B-453.
- 7 NICKEL PLATE PER QQ-N-290, 3.81 μm [.000150] MINIMUM THICK.
- 8 TIN PLATE PER ASTM-B-545, 3.81 μm [.000150] MINIMUM THICK.
- 9 GOLD PLATE PER MIL-G-45204, 0.76 μm [.000030] MINIMUM THICK.
- 10 SILVER PLATE PER QQ-S-365, 2.54 μm [.000100] MINIMUM THICK.
- 11 SILVER PLATE PER QQ-S-365, 5.08 μm [.000200] MINIMUM THICK.
- 12. SEE INSTRUCTION SHEET 2769.



RECOMMENDED PANEL CUTOUT



PCB CONFIGURATION

SUPERSEDED BY 226978-3	8.89 [.350]	11	11	226978-7
SUPERSEDED BY 226990-6 OR 227161-6	4.11 [.162]	9	9	226978-6
SUPERSEDED BY 226978-3	4.11 [.162]	10	10	226978-5
SUPERSEDED BY 226990-6 OR 227161-6	4.11 [.162]	10	10	226978-4
	4.11 [.162]	9	9	226978-3
SUPERSEDED BY 226990-2 OR 227161-2	4.11 [.162]	8	8	226978-2
	4.11 [.162]	8	8	226978-1

THIS DRAWING IS A CONTROLLED DOCUMENT.		DIN B SCOTT 05-06-91	Tyco Electronics Corporation Harrisburg, PA 17105-3608	
DIMENSIONS: INCHES		6-7-91	Tyco Electronics	
TOLERANCES UNLESS OTHERWISE SPECIFIED:		APVD A GABANY 8-7-91	NAME JACK, RIGHT ANGLE, 50 OHM, PCB, SERIES BNC	
0 PLC ± -	1 PLC ± -	PRODUCT SPEC 108-12078		
2 PLC ± 0.20 [.008]	3 PLC ± -	APPLICATION SPEC		
4 PLC ± -	ANGLES ± -	SIZE A1	CAGE CODE 00779	DRAWING NO. 226978
MATERIAL SEE NOTES 1-6	FINISH SEE NOTES 7-11	WEIGHT	SCALE 4:1	SHEET 1 OF 1
CUSTOMER DRAWING		REV T		