

AC Filter Cost Optimized

Standard- or Medical-Filter



**Description**

- Line filter in standard and medical version
- 1-stage
- standard attenuation

**Approvals**

- VDE Certificate Number: 40004673
- UL File Number: E72928

**Characteristics**

- Compact design
- High attenuation at maximum resp. asymmetric load independent from the line impedance
- Especially designed for industrial applications such as: Frequency Converters, Stepper Motor Drives, UPS-Systems, Inverters
- Suitable for use in equipment according to IEC/UL 60950
- Suitable for use in medical equipment according to IEC/UL 60601-1

**Other versions on request**

- Version with wire connection

**References**

Alternative: Standard version

**Weblinks**

[pdf datasheet](#), [html-datasheet](#), [General Product Information](#), [Approvals](#), [CE declaration of conformity](#), [RoHS](#), [CHINA-RoHS](#), [REACH](#), [Distributor-Stock-Check](#), [Detailed request for product](#)

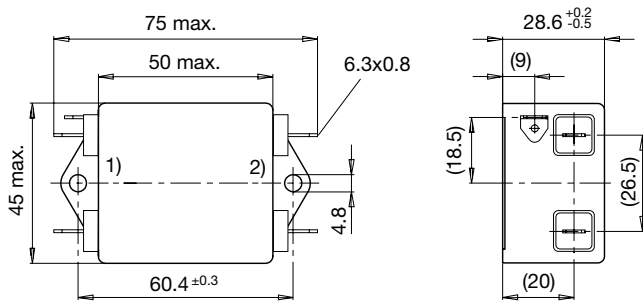
**Technical Data**

Ratings IEC	6 - 20A @ Ta 40 °C / 250VAC; 50Hz	Line Filter	Standard and Medical Version, IEC 60939, UL 1283, CSA C22.2 no. 8
Ratings UL/CSA	6 - 20A @ Ta 40 °C / 125VAC; 60Hz		<a href="#">Technical Details</a>
Leakage Current	standard < 0.5mA (250V / 60Hz)	MTBF	> 200'000h acc. to MIL-HB-217 F
Dielectric Strength	1.7 kVDC between L-N 2.7 kVDC between L/N-PE Test voltage (2 sec)		
Allowable Operation Temperature	-25 °C to 100 °C		
Climatic Category	25/100/21 acc. to IEC 60068-1		
Protection Class	Suitable for appliances with protection class I acc. to IEC 61140		
Terminal	Quick connect terminals 6.3 x 0.8 mm		
Material: Housing	Aluminum		

Detailed information on product approvals, code requirements, usage instructions and detailed test conditions can be looked up in [General Product Information](#)

## Dimension

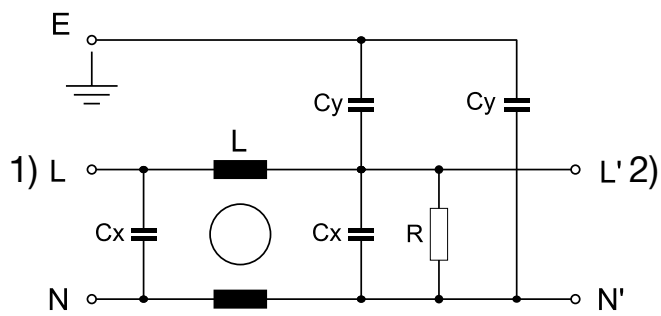
Case 73



- 1) Line
- 2) Load

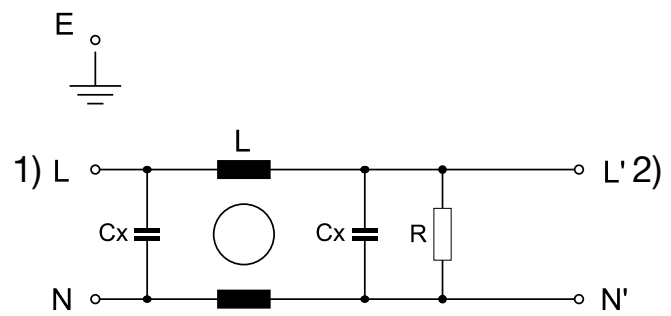
## Diagrams

Standard version



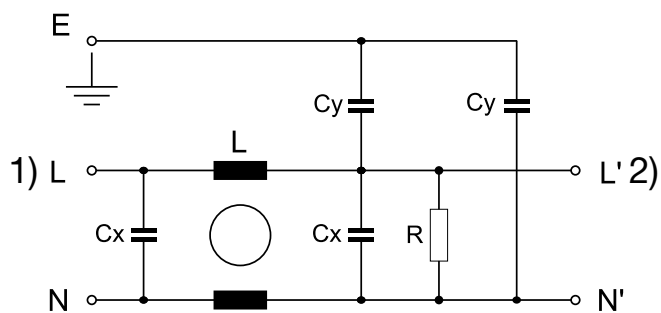
- 1) Line
- 2) Load

Medical version (M5)



- 1) Line
- 2) Load

Medical version (M80)

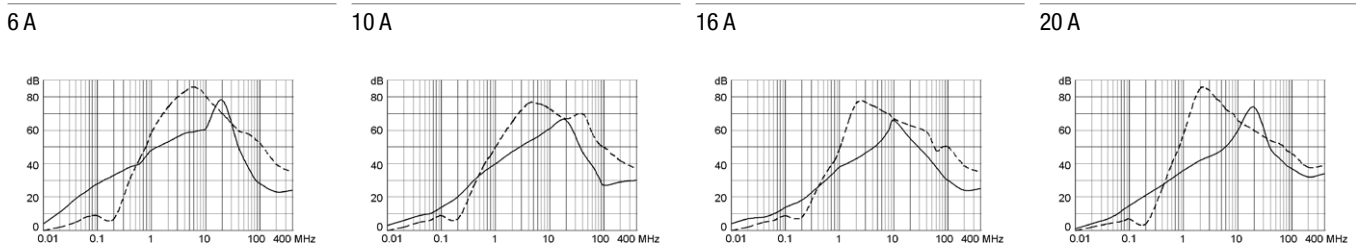


- 1) Line
- 2) Load

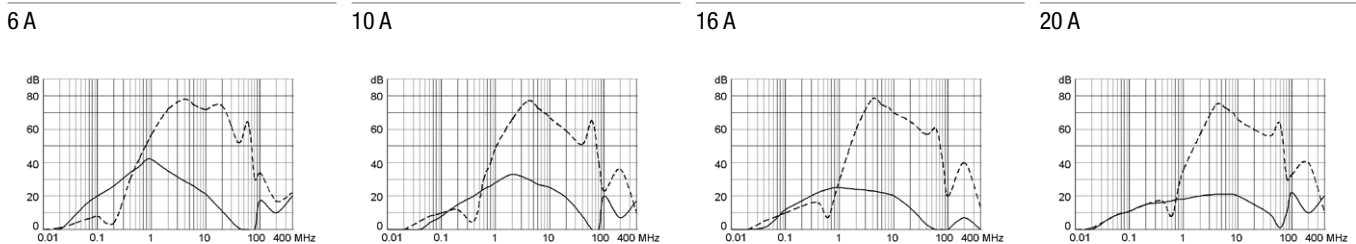
**Attenuation Loss**

----- 50Ω differential mode    \_\_\_\_\_ 50Ω common mode

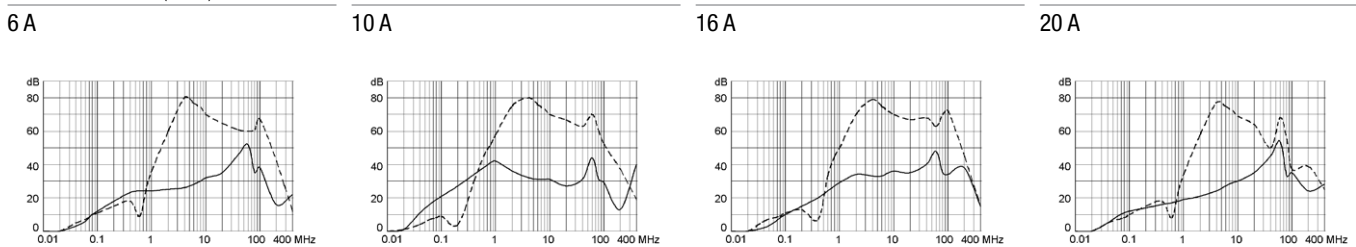
Standard version



Medical version (M5)



Medical version (M80)



**All Variants**

Rated Current [A]	Filter-Type	L [mH]	Cx (X2) [µF]	Cy (Y2) [nF]	Weight [g]	Housings	R [MΩ]	Order Number
6	Standard Version	2 x 1.8	0.1	4.7	116 g	73	1	<a href="#">5500.2031</a>
10	Standard Version	2 x 0.82	0.1	4.7	122 g	73	1	<a href="#">5500.2032</a>
16	Standard Version	2 x 0.64	0.1	4.7	131 g	73	1	<a href="#">5500.2033</a>
20	Standard Version	2 x 0.5	0.1	4.7	135 g	73	1	<a href="#">5500.2034</a>
6	Medical Version (M5)	2 x 1.8	0.1	-	116 g	73	1	<a href="#">5500.2072</a>
10	Medical Version (M5)	2 x 0.82	0.1	-	122 g	73	1	<a href="#">5500.2073</a>
16	Medical Version (M5)	2 x 0.64	0.1	-	131 g	73	1	<a href="#">5500.2074</a>
20	Medical Version (M5)	2 x 0.5	0.1	-	160 g	73	1	<a href="#">5500.2076</a>
6	Medical Version (M80)	2 x 1.8	0.1	0.47	116 g	73	1	<a href="#">5500.2086</a>
10	Medical Version (M80)	2 x 0.82	0.1	0.47	122 g	73	1	<a href="#">5500.2087</a>
16	Medical Version (M80)	2 x 0.64	0.1	0.47	132.4 g	73	1	<a href="#">5500.2075</a>
20	Medical Version (M80)	2 x 0.5	0.1	0.47	160 g	73	1	<a href="#">5500.2088</a>

Most Popular.

Availability for all products can be searched real-time: <http://www.schurter.com/en/Stock-Check/Stock-Check-SCHURTER>

**Packaging unit**    10 Pcs