

General Description

The DS1094L is a silicon oscillator that generates four multiphase, spread-spectrum, square-wave outputs. Frequencies between 2MHz and 31.25kHz can be output in either two, three, or four-phase mode. The internal master oscillator can be dithered by either 0, 2, 4, or 8% to reduce the amount of peak spectral energy at the fundamental and harmonic clock frequencies. This significantly reduces the amount of electromagnetic interference (EMI) radiation that is generated at the system level. The DS1094L is ideally suited as a clock generator for switched-mode power supplies. The outputs generated by the DS1094L are used by DC-DC circuitry to efficiently shift voltages either up or down. The DS1094L can be programmed using the I²C-compatible, 2-wire serial interface to select the output frequency, number of clock phases, and dither rate, or optionally it can be shipped from the factory custom programmed.

Applications

- Switch-Mode Power Supplies
- Servers
- Printers

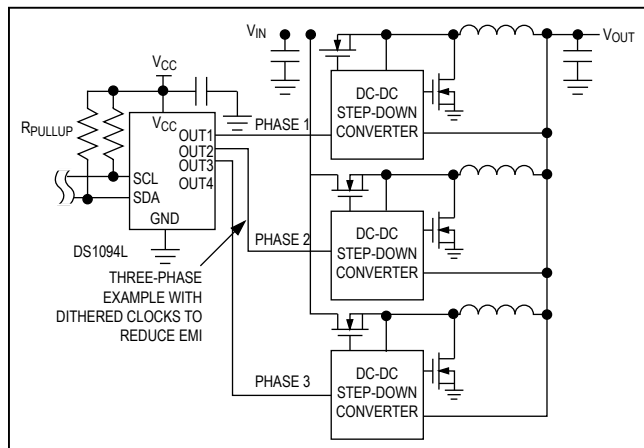
Features

- EconOscillator™ with Two, Three, or Four Phase Outputs
- Ideally Suited as the Clock Generator for Switch-Mode Power Supplies
- Output Frequencies Programmable from 2MHz to 31.25kHz
- Dithered Output Significantly Reduces EMI Emissions
- No External Timing Components Required
- Nonvolatile (NV) Configuration Settings
- User-Programmable—Factory Programmed Options Available
- Operating Temperature Range: -40°C to +85°C

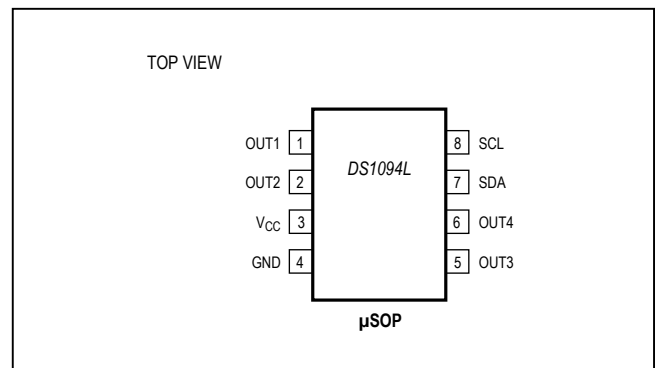
Ordering Information

| PART | TEMP RANGE | PIN-PACKAGE |
|----------|----------------|-------------|
| DS1094LU | -40°C to +85°C | 8 μSOP |

Typical Operating Circuit



Pin Configuration



EconOscillator is a trademark of Maxim Integrated Products, Inc.



Absolute Maximum Ratings

Voltage Range on V_{CC}, SDA, and SCL
 Relative to Ground.....-0.5V to +6.0V
 Operating Temperature Range..... -40°C to +85°C
 EEPROM Programming Temperature Range0°C to +70°C

Storage Temperature Range..... -55°C to +125°C
 Soldering TemperatureSee IPC/JEDEC
 J-STD-020A Specification

Stresses beyond those listed under "Absolute Maximum Ratings" may cause permanent damage to the device. These are stress ratings only, and functional operation of the device at these or any other conditions beyond those indicated in the operational sections of the specifications is not implied. Exposure to absolute maximum rating conditions for extended periods may affect device reliability.

Recommended DC Operating Conditions

(T_A = -40°C to +85°C)

| PARAMETER | SYMBOL | CONDITIONS | MIN | TYP | MAX | UNITS |
|--------------------------|-----------------|------------|--------------------------|-----|---------------------------|-------|
| Supply Voltage | V _{CC} | (Note 1) | 3.0 | | 3.6 | V |
| Input Logic 1 (SDA, SCL) | V _{IH} | | 0.7 x V _{CC} | | V _{CC} + 0.3 | V |
| Input Logic 0 (SDA, SCL) | V _{IL} | | -0.3 | | +0.3 x V _{CC} | V |

DC Electrical Characteristics

(V_{CC} = +3.0 to 3.6V, T_A = -40°C to +85°C, unless otherwise noted.)

| PARAMETER | SYMBOL | CONDITIONS | MIN | TYP | MAX | UNITS |
|-------------------------------------|-----------------|---|------|-----|------|-------|
| Active Supply Current | I _{CC} | C _L = 15pF per output, SDA = SCL = V _{CC} | | 1.4 | 3 | mA |
| High-Level Output Voltage (OUT1-4) | V _{OH} | I _{OH} = -4mA; V _{CC} = min | 2.4 | | | V |
| Low-Level Output Voltage (OUT1-4) | V _{OL} | I _{OL} = 3.5mA | | | 0.4 | V |
| Low-Level Output Voltage (SDA) | V _{OL} | 3mA sink current | | | 0.4 | V |
| | | 6mA sink current | | | 0.6 | |
| High-Level Input Current (SDA, SCL) | I _{IH} | V _{IH} = V _{CC} | | | +1.0 | μA |
| Low-Level Input Current (SDA, SCL) | I _{IL} | V _{IL} = 0.0V | -1.0 | | | μA |

AC Electrical Characteristics

($V_{CC} = +3.0V$ to $3.6V$, $T_A = -40^{\circ}C$ to $+85^{\circ}C$, unless otherwise noted.)

| PARAMETER | SYMBOL | CONDITIONS | MIN | TYP | MAX | UNITS |
|-----------------------------------|----------------------|--|----------------------------------|------|-------|-------|
| Master Oscillator Frequency | f_{MOSC} | | 1 | | 2 | MHz |
| Output Frequency Tolerance | Δf_{OUT} | $V_{CC} = 3.3V$, $T_A = +25^{\circ}C$ (Note 8) | -2.5 | | +2.5 | % |
| Voltage Frequency Variation | Δf_{OUT} | $T_A = +25^{\circ}C$ (Note 2) | -0.5 | | +0.5 | % |
| Temperature Frequency Variation | Δf_{OUT} | $V_{CC} = 3.3V$ (Note 2) | 0 to $+70^{\circ}C$ | | +1.1 | % |
| | | | $-40^{\circ}C$ to $+85^{\circ}C$ | -2.5 | +1.1 | |
| DAC Step Size | | | -0.75 | | +0.75 | % |
| Peak-to-Peak Jitter (3σ) | | P1:P0 = 11 (Note 3) | | 8 | | % |
| Load Capacitance | C_L | | | 15 | 50 | pF |
| Output Duty Cycle (Note 4) | | | 2 Phase | 50 | | % |
| | | | 3 Phase | 33.3 | | |
| | | | 4 Phase | 50 | | |
| Power-Up Time | $t_{POR} + t_{STAB}$ | (Note 5) | | 0.1 | 0.5 | ms |

AC Electrical Characteristics (See Figure 3)

($V_{CC} = +3.0V$ to $3.6V$, $T_A = -40^{\circ}C$ to $+85^{\circ}C$, unless otherwise noted. Timing referenced to $V_{IL(MAX)}$ and $V_{IH(MIN)}$.)

| PARAMETER | SYMBOL | CONDITIONS | MIN | TYP | MAX | UNITS |
|---|--------------|------------|------------------|-----|-----|---------|
| SCL Clock Frequency | f_{SCL} | (Note 6) | 0 | | 400 | kHz |
| Bus Free Time Between Stop and Start Conditions | t_{BUF} | | 1.3 | | | μs |
| Hold Time (Repeated) Start Condition | $t_{HD:STA}$ | | 0.6 | | | μs |
| Low Period of SCL | t_{LOW} | | 1.3 | | | μs |
| High Period of SCL | t_{HIGH} | | 0.6 | | | μs |
| Data Hold Time | $t_{HD:DAT}$ | | 0 | | 0.9 | μs |
| Data Setup Time | $t_{SU:DAT}$ | | 100 | | | ns |
| Start Setup time | $t_{SU:STA}$ | | 0.6 | | | μs |
| SDA and SCL Rise Time | t_R | (Note 7) | 20 + $0.1C_B$ | | 300 | ns |
| SDA and SCL Fall Time | t_F | (Note 7) | 20 + $0.1C_B$ | | 300 | ns |
| Stop Setup Time | $t_{SU:STO}$ | | 0.6 | | | μs |
| SDA and SCL Capacitive Loading | C_B | (Note 7) | | | 400 | pF |
| EEPROM Write Time | t_{WR} | | | 5 | 10 | ms |
| Input Capacitance | C_I | | | 5 | | pF |

Nonvolatile Memory Characteristics

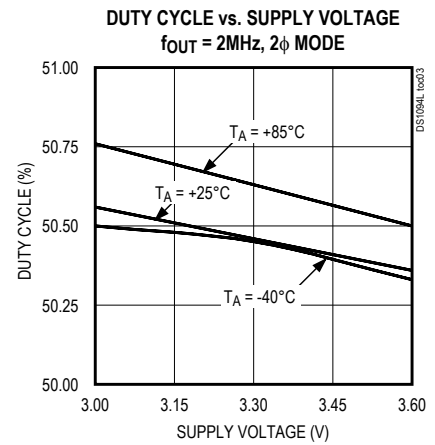
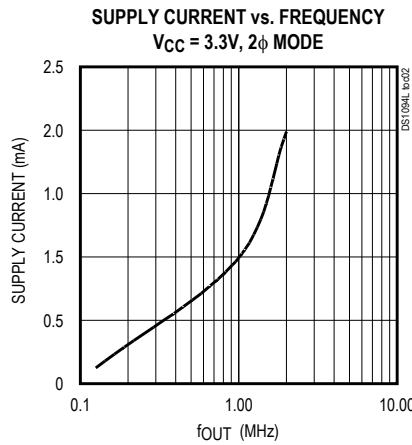
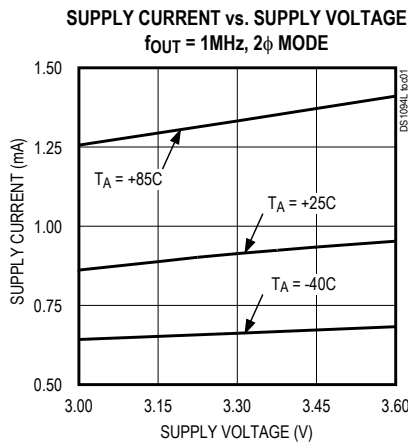
(V_{CC} = +3.0V to 3.6V, unless otherwise noted.)

| PARAMETER | SYMBOL | CONDITIONS | MIN | TYP | MAX | UNITS |
|---------------|--------|----------------|--------|-----|-----|-------|
| EEPROM Writes | | +70°C (Note 4) | 10,000 | | | |

- Note 1:** All voltages referenced to ground.
- Note 2:** This is the change observed in output frequency due to changes in temperature or voltage.
- Note 3:** This is a percentage of the output period. Parameter is characterized but not production tested. This can be varied from 2%, 4%, or 8%.
- Note 4:** This parameter is guaranteed by design.
- Note 5:** This indicates the time between power-up and the outputs becoming active. An on-chip delay is intentionally introduced to allow the oscillator to stabilize. t_{STAB} is equivalent to approximately $64 f_{MOSC}$ cycles and, hence, will depend on the programmed clock frequency.
- Note 6:** Timing shown is for fast-mode (400kHz) operation. This device is also backward compatible with I²C standard-mode timing.
- Note 7:** CB—total capacitance of one bus line in picofarads.
- Note 8:** Typical frequency shift due to aging is $\pm 0.5\%$. Aging stressing includes Level 1 moisture reflow preconditioning (24hr +125°C bake, 168hr 85°C/85%RH moisture soak, and 3 solder reflow passes +240 +0/-5°C peak) followed by 1000hr max V_{CC} biased 125°C HTOL, 1000 temperature cycles at -55°C to +125°C, and 168hr 121°C/2 ATM Steam/Unbiased Autoclave.

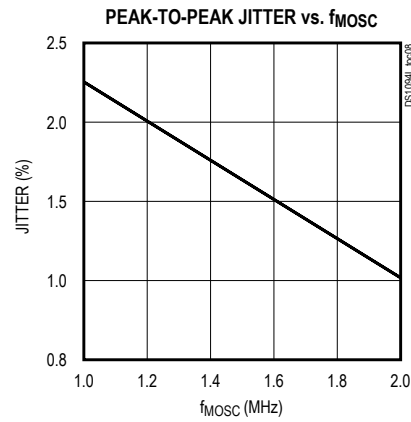
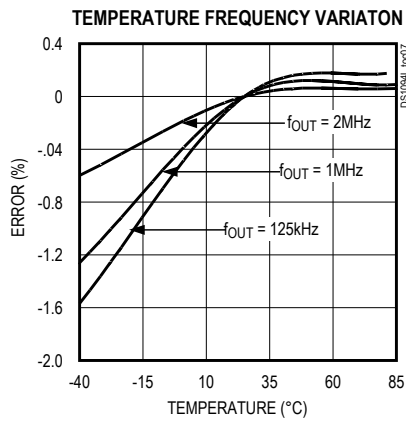
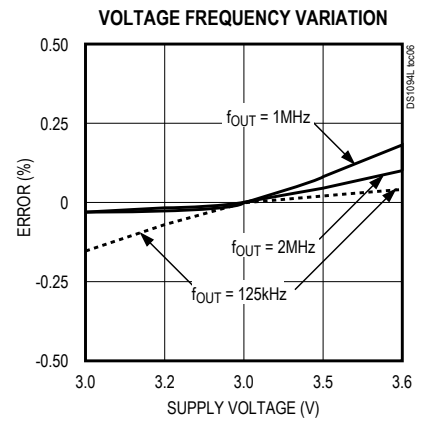
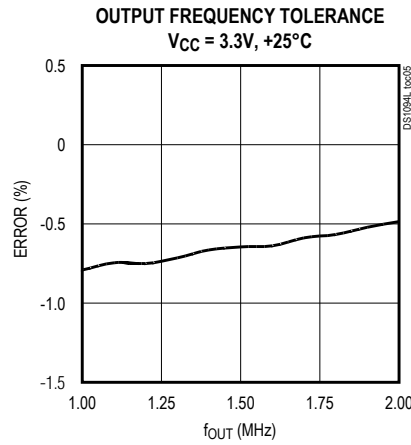
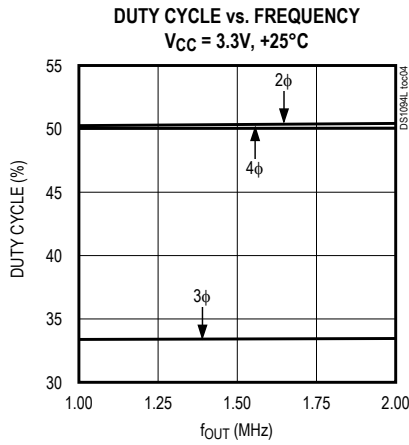
Typical Operating Characteristics

(V_{CC} = +3.3V, T_A = +25°C, unless otherwise noted.)



Typical Operating Characteristics (continued)

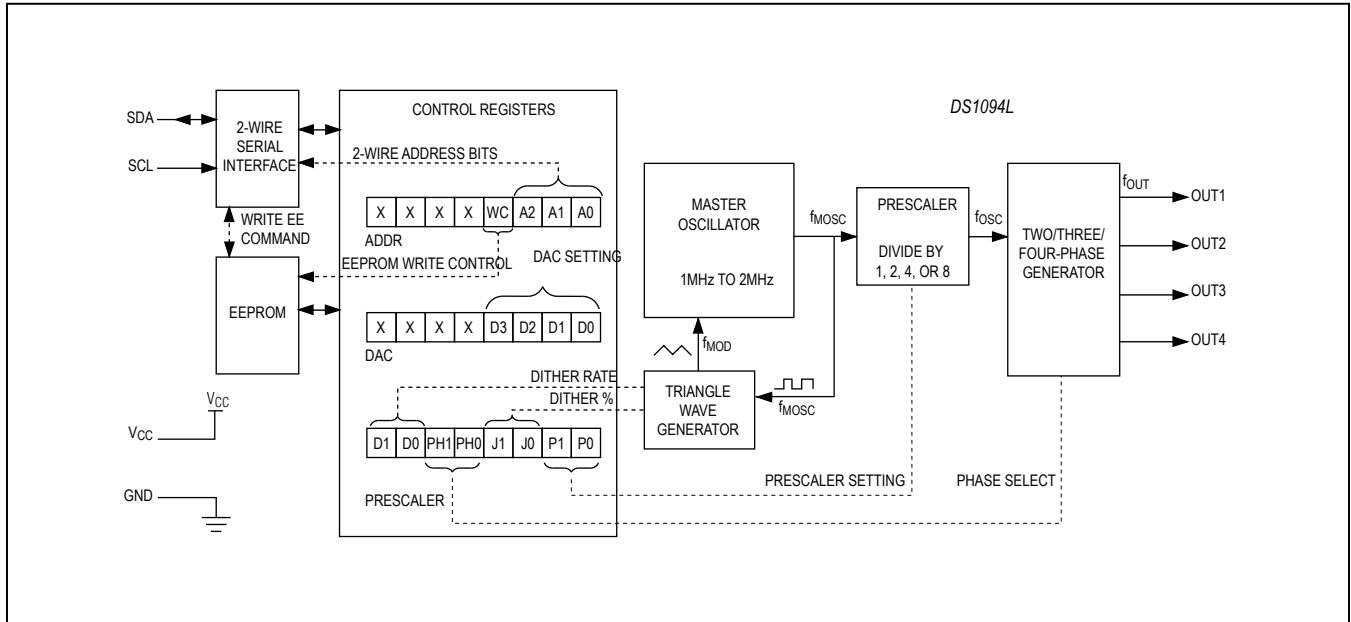
V_{CC} = +3.3V, T_A = +25°C, unless otherwise noted.)



Pin Description

| PIN | NAME | FUNCTION |
|-----|-----------------|---|
| 1 | OUT1 | Oscillator Output 1 |
| 2 | OUT2 | Oscillator Output 2 |
| 3 | V _{CC} | Positive Supply Terminal |
| 4 | GND | Ground |
| 5 | OUT3 | Oscillator Output 3 |
| 6 | OUT4 | Oscillator Output 4 |
| 7 | SDA | 2-Wire Serial-Interface Data Input/Output |
| 8 | SCL | 2-Wire Serial-Interface Clock Input |

Functional Diagram



Detailed Description

The DS1094L consists of a master oscillator, prescaler, phase generator, and triangle-wave generator (used to dither the master oscillator), which are all programmable using the 2-wire interface and stored in NV memory.

Master Oscillator

The master oscillator is responsible for generating the timing (frequency) of the outputs. The master oscillator frequency, f_{MOSC} , can be programmed anywhere between 1MHz to 2MHz in 100kHz steps. The master

oscillator is programmed using the DAC register. The four MSBs of the DAC register are don't cares, while the four LSBs (D3 to D0) are the DAC value. The master oscillator frequency is determined using the following equation:

$$f_{MOSC} = 1\text{MHz} + (\text{DAC value} \times 100\text{kHz})$$

Valid values for DAC are 0 to 10 (dec). DAC values greater than 10 exceed the 2MHz limit and are not permitted.

The master oscillator also determines the spread-spectrum dither frequency. This is described in the *Triangle Wave Generator* section.

Table 1. Master Oscillator Settings

| DAC VALUE (dec) | DAC REGISTER | f_{MOSC} |
|-----------------|--------------|------------|
| 0 | 00h | 1.0MHz |
| 1 | 01h | 1.1MHz |
| 2 | 02h | 1.2MHz |
| — | — | — |
| 10 | 0Ah | 2.0MHz |
| 11 to 15 | 0Bh to 0Fh | Reserved |

Table 2. Prescaler Settings

| BITS P1, P0 | DIVISOR | $f_{osc} =$ |
|-------------|---------|--------------|
| 00 | 2^0 | $f_{MOSC}/1$ |
| 01 | 2^1 | $f_{MOSC}/2$ |
| 10 | 2^2 | $f_{MOSC}/4$ |
| 11 | 2^3 | $f_{MOSC}/8$ |

Table 3. Phase Generator Settings

| BITS Ph1, Ph0 | MODE |
|---------------|-------------|
| 00 | Two-Phase |
| 01 | Three-Phase |
| 10 | Four-Phase |
| 11 | Reserved |

Table 4. Dither Amount Settings

| BITS J1, J0 | DITHER AMOUNT* |
|-------------|----------------|
| 00 | 0% |
| 01 | 2% |
| 10 | 4% |
| 11 | 8% |

*The frequency is dithered down from the programmed value of f_{MOSC} .

Table 5. Dither Frequency Settings

| BITS D1, D0 | DITHER FREQUENCY |
|-------------|------------------|
| 00 | $f_{MOSC}/128$ |
| 01 | $f_{MOSC}/256$ |
| 10 | $f_{MOSC}/512$ |
| 11 | $f_{MOSC}/1024$ |

Prescaler

The prescaler divides the master oscillator frequency, f_{MOSC} , by 1, 2, 4, or 8. The resultant frequency, f_{OSC} , is calculated using the following formula:

$$f_{OSC} = f_{MOSC}/2^{PRESCALER}$$

where PRESCALER can be 0 to 3. The prescaler is configured using bits P1 and P0 in the PRESCALER register. Valid settings are shown in Table 2. The location of bits P1 and P0 in the PRESCALER register is shown in the *Control Registers* section.

Note that the PRESCALER register also contains bits controlling other features of the device (dither amount, dither rate, and phase).

Phase Generator

The four oscillator outputs (OUT1 to OUT4) can be configured in either two-phase, three-phase, or four-phase mode. The output waveforms of each mode are illustrated in Figure 1. Likewise, the figure also shows a comparison of f_{OUT} , the duty cycle, and the output phase shifts between the three modes. Bits Ph1 and Ph0 in the PRESCALER register are used to select the desired mode (see Table 3). The location of bits Ph1

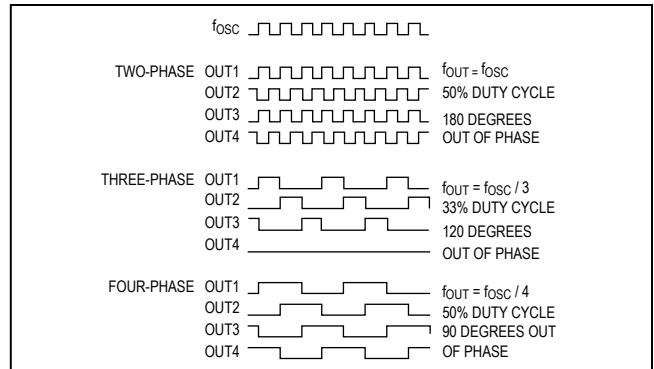


Figure 1. DS1094L Output Waveforms

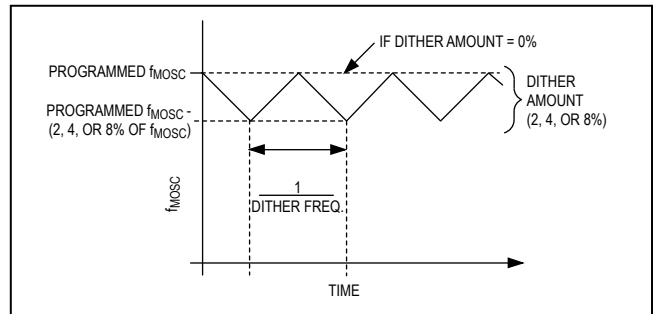


Figure 2. DS1094L Dither Waveform

and Ph0 in the PRESCALER register is shown in the *Control Registers* section.

Triangle Wave Generator

The triangle wave generator is used to dither the master oscillator frequency, adding spread-spectrum functionality to the DS1094L by injecting an offset element into the master oscillator. Both the dither amount (%) and dither frequency are programmable. The dither amount is controlled by bits J1 and J0 in the PRESCALER register. The dither frequency is controlled by bits D1 and D0, also in the PRESCALER register. The bit settings are shown in Table 4 and 5. The location of bits J1, J0, D1, and D0 in the PRESCALER register is shown in the *Control Registers* section.

When dither is enabled (by selecting a percentage other than 0%), the master oscillator frequency, f_{MOSC} , is dithered between the programmed f_{MOSC} and the selected percentage down from the programmed f_{MOSC} (see Figure 2). For example, if f_{MOSC} is programmed to 2MHz (DAC register = 0Ah) and the dither amount is programmed to 2%, the frequency of f_{MOSC}

will dither between 2MHz and 1.96MHz at a modulation frequency determined by the selected dither frequency. Continuing with the same example, if D1 and D0 both equal zero, selecting $f_{MOSC}/128$, then the dither frequency would be 15.625kHz.

2-Wire Slave Address

The 2-wire serial interface is used to read and write the control registers of the DS1094L. The default slave address of the DS1094L is B0h (see Figure 4). Using the 3 address bits (A2, A1, and A0) in the ADDR register, the slave address can be changed to allow as many as eight DS1094Ls reside on the same 2-wire bus or to simply prevent address conflicts with other 2-wire devices. The location of the address bits within the ADDR register is shown in the *Control Registers* section. A detailed description of the 2-wire interface is found in the *2-Wire Serial Interface Description* section.

EEPROM Write Control

Since EEPROM does not have a limited number of lifetime write cycles (specified in the *NONVOLATILE MEMORY CHARACTERISTICS* electrical table), it is possible to configure the DS1094L to prevent EEPROM wear out and eliminate the EEPROM write cycle time by using the WC bit in the ADDR register. When the WC bit is 0 (default), register writes are automatically written into EEPROM. The Write EE Command is not needed. However, if WC = 1, then register writes are stored in SRAM and only written to EEPROM when the user sends the Write EE Command. If power to the device is cycled, the last value stored in EEPROM is recalled. The time required to store the values is one EEPROM write cycle time. WC = 1 is ideal for applications that frequently modify the frequency/registers.

Regardless of the value of the WC bit, the value of the ADDR register is always written immediately to EEPROM.

Control Registers

The DS1094L control registers are used to program the frequency and features of the device. Table 6 lists the

DS1094L's control registers and illustrates bit locations as well as other valuable information. The memory address of each register is shown in the ADDRESS column. The factory default values programmed into EEPROM are shown in the DEFAULT column. Refer to the corresponding sections to determine what values to write to the registers.

PRESCALER (02h)

- D1, D0 Selects the dither frequency. Refer to Table 5.
- Ph1, Ph0 Determines whether the two-phase, three-phase, or four-phase mode is selected. Refer to Table 3.
- J1, J0 Selects the dither amount. Refer to Table 4.
- P1, P0 Determines the prescaler value. Refer to Table 2.

DAC (08h)

- D3 to D0 This four-bit value determines the master oscillator frequency, f_{MOSC} . Refer to Table 1 and the Master Oscillator section for a detailed information on calculating the DAC value.

ADDR (0Dh)

- WC The EEPROM write control bit determines if writes to control registers are automatically backed up in NV memory (EEPROM) or whether a write EE command is required to write to NV memory. See the *EEPROM Write Control* section for more information.
- A2 to A0 This three-bit value determines the 2-wire slave address.

WRITE EE COMMAND (3Fh)

This command can be used when the WC bit = 1 (see explanation in the *EEPROM Write Control* section) to transfer registers internally from SRAM to EEPROM. The time required to store the values is one EEPROM write cycle time. This command is not needed if WC = 0.

Table 6. Control Registers

| REGISTER | ADDRESS | BINARY | | | | | | | | DEFAULT | ACCESS |
|------------------|---------|----------------|----------------|----------------|----------------|----|----|----|-----|-----------|--------|
| | | MSB | | | | | | | LSB | | |
| PRESCALER | 02h | D1 | D0 | Ph1 | Ph0 | J1 | J0 | P1 | P0 | 11001101b | R/W |
| DAC | 08h | X ₁ | X ₁ | X ₁ | X ₁ | D3 | D2 | D1 | D0 | XXXX0000b | R/W |
| ADDR | 0Dh | X ₁ | X ₁ | X ₁ | X ₁ | WC | A2 | A1 | A0 | XXXX0000b | R/W |
| WRITE EE Command | 3Fh | No Data | | | | | | | | | W |

X = Don't care

X1 = Don't care, reads as 1

2-Wire Serial Interface Description

Definitions

The following terminology is commonly used to describe 2-wire data transfers.

Master Device: The master device controls the slave devices on the bus. The master device generates SCL clock pulses, start, and stop conditions.

Slave Devices: Slave devices send and receive data at the master's request.

Bus Idle or Not Busy: Time between stop and start conditions when both SDA and SCL are inactive and in their logic high states. When the bus is idle it often initiates a low-power mode for slave devices.

Start Condition: A start condition is generated by the master to initiate a new data transfer with a slave. Transitioning SDA from high to low while SCL remains high generates a start condition. See the timing diagram for applicable timing.

Stop Condition: A stop condition is generated by the master to end a data transfer with a slave. Transitioning SDA from low to high while SCL remains high generates a stop condition. See the timing diagram for applicable timing.

Repeated Start Condition: The master can use a repeated start condition at the end of one data transfer to indicate that it will immediately initiate a new data transfer following the current one. Repeated starts are commonly used during read operations to identify a specific memory address to begin a data transfer. A repeated start condition is issued identically to a normal start condition. See the timing diagram for applicable timing.

Bit Write: Transitions of SDA must occur during the low state of SCL. The data on SDA must remain valid and unchanged during the entire high pulse of SCL plus the setup and hold time requirements (see Figure 3). Data is shifted into the device during the rising edge of the SCL.

Bit Read: At the end of a write operation, the master must release the SDA bus line for the proper amount of setup time (see Figure 3) before the next rising edge of SCL during a bit read. The device shifts out each bit of data on SDA at the falling edge of the previous SCL pulse, and the data bit is valid at the rising edge of the current SCL pulse. Remember that the master generates all SCL clock pulses including when it is reading bits from the slave.

Acknowledgment (ACK and NACK): An Acknowledgment (ACK) or Not Acknowledge (NACK) is always the 9th bit transmitted during a byte transfer. The device receiving data (the master during a read or the slave during a write operation) performs an ACK by transmitting a zero during the 9th bit. A device performs a NACK by transmitting a one during the 9th bit. Timing (Figure 3) for the ACK and NACK is identical to all other bit writes. An ACK is the acknowledgment that the device is properly receiving data. A NACK is used to terminate a read sequence or as an indication that the device is not receiving data.

Byte Write: A byte write consists of 8 bits of information transferred from the master to the slave (most significant bit first) plus a 1-bit acknowledgment from the slave to the master. The 8 bits transmitted by the master are done according to the bit write definition, and the acknowledgment is read using the bit read definition.

Byte Read: A byte read is an 8-bit information transfer from the slave to the master plus a 1-bit ACK or NACK from the master to the slave. The 8 bits of information

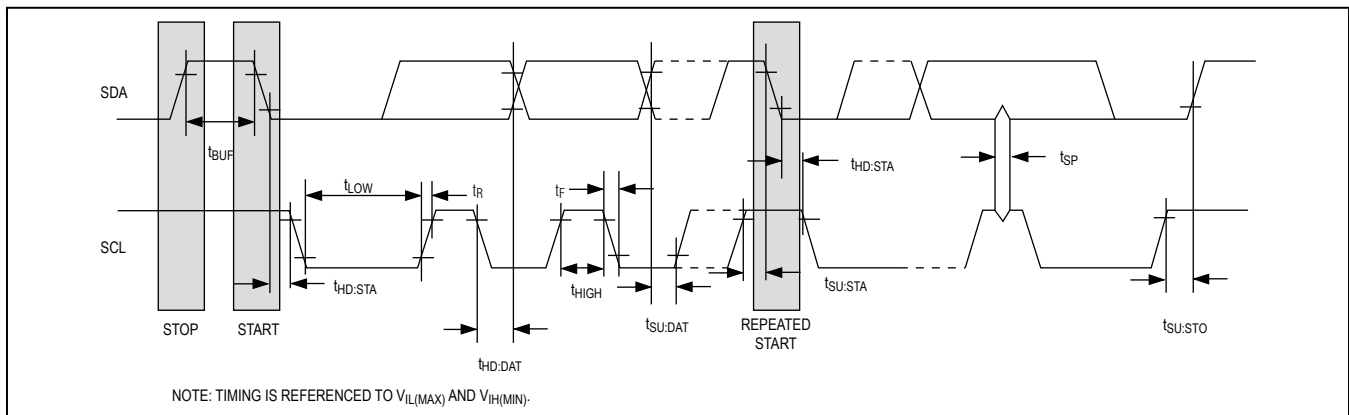


Figure 3. 2-Wire Timing Diagram

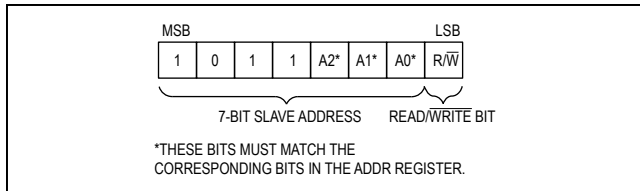


Figure 4. Slave Address Byte

that are transferred (most significant bit first) from the slave to the master are read by the master using the bit read definition above, and the master transmits an ACK using the bit write definition to receive additional data bytes. The master must NACK the last byte read to terminate communication so the slave will return control of SDA to the master.

Slave Address Byte: The slave address byte consists of a 7-bit slave address followed by the R/\bar{W} bit (see Figure 4). The slave address is the most significant 7 bits and the R/\bar{W} bit is the least significant bit. The 3 address bits in the slave address (A_2 to A_0) permit a maximum of eight DS1094Ls to share the same 2-wire bus.

Each slave on the 2-wire bus has a unique slave address, which is used by the master to select which slave it wishes to communicate with. Following a start condition, all slaves on the 2-wire bus await the slave address byte from the master. Each slave compares its own slave address with the slave address sent from the master. If the slave address matches, the slave acknowledges and continues communication with the master (based on the R/\bar{W} bit). Otherwise, if the slave address does not match, the slave ignores communication until the next start condition.

When the R/\bar{W} bit is zero, the master writes data to the specified slave. When the R/\bar{W} is one, the master reads data from the specified slave.

Memory Address: During a 2-wire write operation, the master must transmit a memory address to identify the memory location where the slave is to store the data. The memory address is always the second byte transmitted during a write operation following the slave address byte ($R/\bar{W} = 0$).

2-Wire Communication

Writing a Single Byte to a Slave: The master must generate a start condition, write the slave address byte (with $R/\bar{W} = 0$), write the memory address, write the byte of data, and generate a stop condition. The master must read the slave's acknowledgment following each byte write.

Acknowledge Polling: Any time EEPROM is written, the EEPROM write time (t_{W}) is required following the stop condition to write to EEPROM. During the EEPROM write time, the DS1094L will not acknowledge its slave address because it is busy. It is possible to take advantage of this phenomenon by repeatedly addressing the DS1094L until it finally acknowledges its slave address. The alternative to acknowledge polling is to wait for maximum period of t_{W} to elapse before attempting to write to EEPROM again.

Reading a Single Byte from a Slave: A dummy write cycle is used to read a particular register. To do this the master generates a start condition, writes the slave address byte (with $R/\bar{W} = 0$), writes the memory address of the desired register to read, generates a repeated start condition, writes the slave address byte (with $R/\bar{W} = 1$), reads the register and follows with a NACK (since only one byte is read), and generates a stop condition. See Figure 5 for examples of reading DS1094L registers.

Applications Information

SDA and SCL Pullup Resistors

SDA is an open-collector output and requires a pullup resistor to realize high logic levels. Because the DS1094L does not utilize clock cycle stretching, a master using either an open-collector output with a pullup resistor or CMOS output driver (push-pull) can be utilized for SCL. Pullup resistor values should be chosen to ensure that the rise and fall times listed in the AC electrical characteristics are within specification.

Stand-Alone Operation

If the DS1094L is used stand-alone (without a 2-wire master), SDA and SCL should not be left unconnected, or floating. It is recommended that pullup resistors be used on both SDA and SCL to prevent the pins from floating to unknown voltages and transitions. Likewise, pullups are recommended over tying SDA and SCL directly to V_{CC} to allow future programmability.

Power-Supply Decoupling

To achieve best results, it is highly recommended that a decoupling capacitor is used on the IC power supply pins. Typical values of decoupling capacitors are $0.01\mu\text{F}$ and $0.1\mu\text{F}$. Use high-quality, ceramic, surface-mount capacitors. Mount the capacitors as close as possible to the V_{CC} and GND pins of the IC to minimize lead inductance.

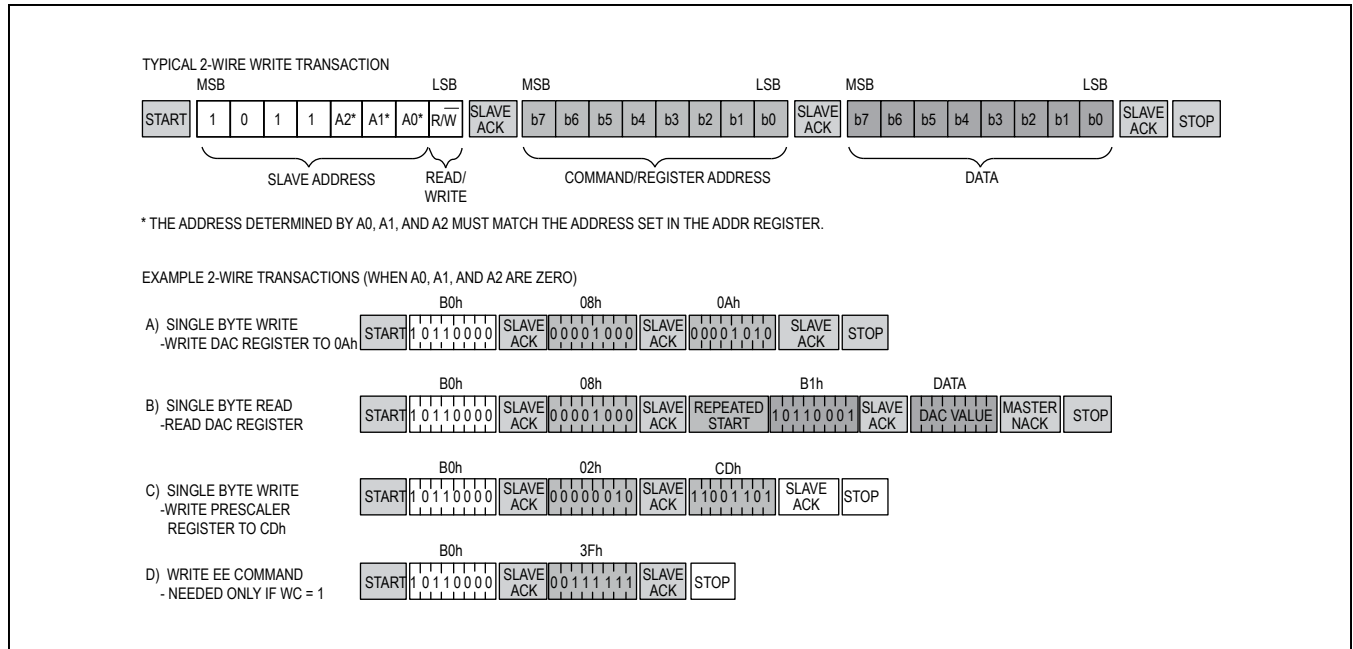


Figure 5. 2-Wire Communication Examples

Chip Topology

SUBSTRATE CONNECTED TO: Ground

Package Information

For the latest package outline information and land patterns (footprints), go to www.maximintegrated.com/packages. Note that a "+", "#", or "." in the package code indicates RoHS status only. Package drawings may show a different suffix character, but the drawing pertains to the package regardless of RoHS status.

Revision History

| REVISION NUMBER | REVISION DATE | DESCRIPTION | PAGES CHANGED |
|-----------------|---------------|--|---------------|
| 1 | 5/04 | — | — |
| 2 | 5/15 | Removed automotive reference from data sheet | 1 |

For pricing, delivery, and ordering information, please contact Maxim Direct at 1-888-629-4642, or visit Maxim Integrated's website at www.maximintegrated.com.

Maxim Integrated cannot assume responsibility for use of any circuitry other than circuitry entirely embodied in a Maxim Integrated product. No circuit patent licenses are implied. Maxim Integrated reserves the right to change the circuitry and specifications without notice at any time. The parametric values (min and max limits) shown in the Electrical Characteristics table are guaranteed. Other parametric values quoted in this data sheet are provided for guidance.