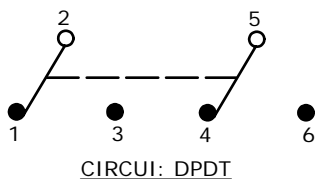


SWITCH FUNCTION		
POS. 1	POS. 2	POS. 3
ON	OFF	(ON)
2-3, 5-6	OPEN	2-1, 5-4

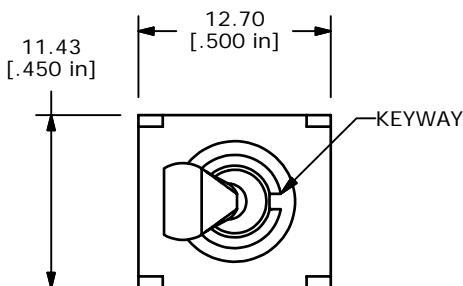
(ON) = MOMENTARY



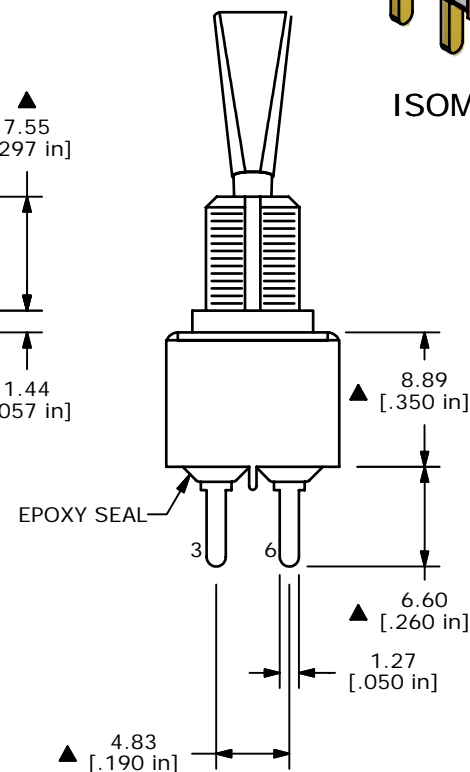
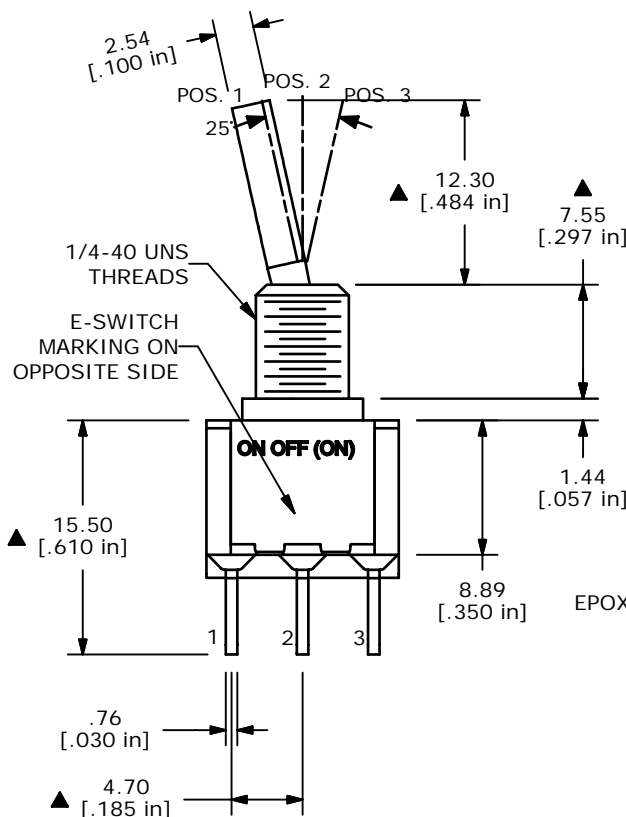
NOTE:

1. ALL DIMENSIONS IN MM [INCH]
2. GENERAL TOLERANCE: X.X=±0.4  
X.XX=±0.25
3. TERMINAL NUMBERS FOR REF ONLY
- ▲4. PLATING MATERIAL: GOLD
5. RATING: 0.4VOLT-AMPS MAX. @20V MAX. AC OR DC
6. ELECTRIC LIFE: 40,000 MAKE-AND-BREAK CYCLES AT FULL LOAD.
7. INSULATION RESISTANCE: 1,000 MEGA-OHM MIN.
8. DIELECTRIC STRENGTH: 1,000 V RMS @SEA LEVEL.
9. OPERATING TEMP.: -30°C to 85°C
10. ▲ DENOTES CRITICAL PARAMETER.
11. PACKAGE: TRAY/108 PIECES PER
12. 2002/95/EC (ROHS) COMPLIANT
- ▲13. HARDWARE TO BE SHIPPED BULK:

- T100011 - LOCK WASHER, QTY 1
- T100015 - LOCK RING, QTY 1
- T100000 - HEX NUT, QTY 2



ISOMETRIC



TITLE 100DP5T6B11M2REH

A	17158	RELEASED FOR PRODUCTION	4/4/07	TN
REV	PCR NO	DESCRIPTION	DATE	BY

THE INFORMATION CONTAINED IN THIS DOCUMENT IS PROPRIETARY TO E-SWITCH AND IS NOT TO BE COPIED OR TRANSFERRED

SCALE	DATE	DR	DWG	REV
2:1	4/4/2007	TN	ST125014	A