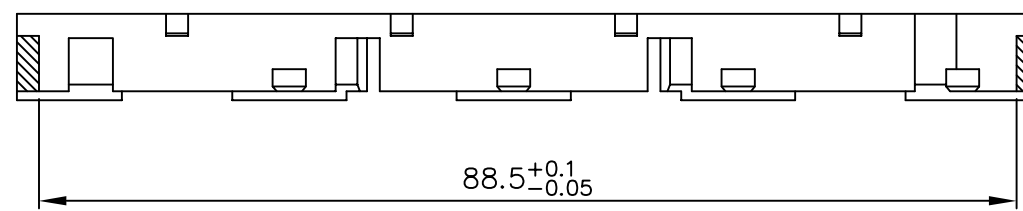
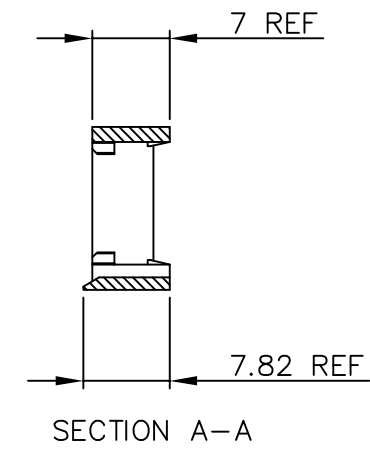
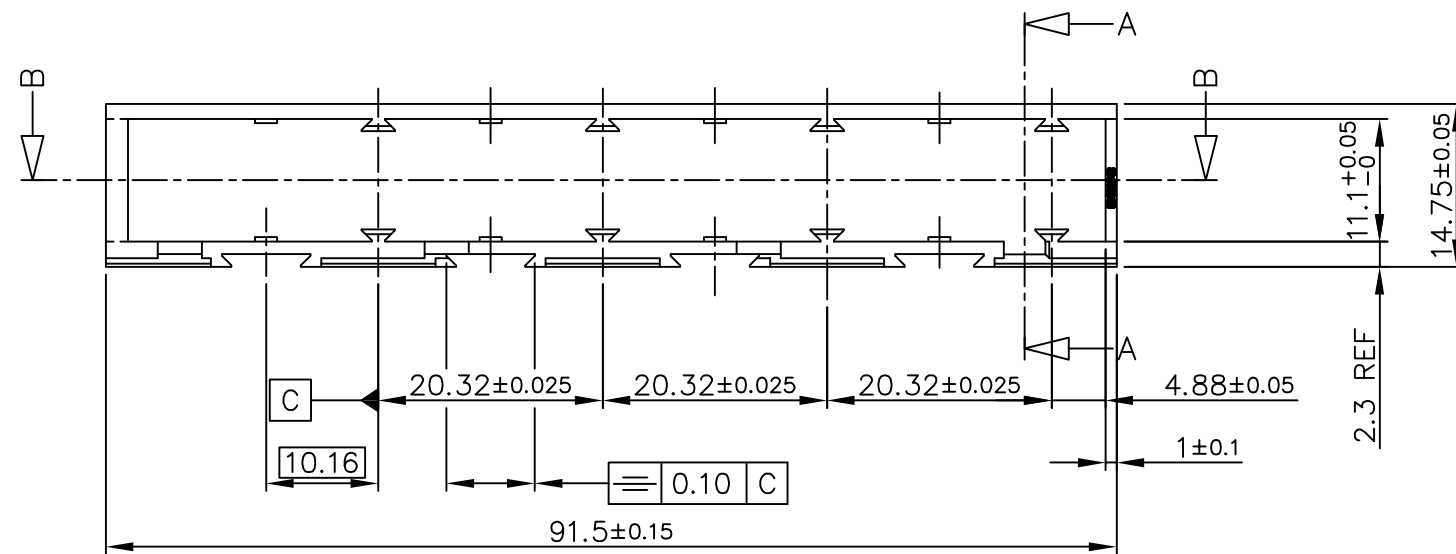
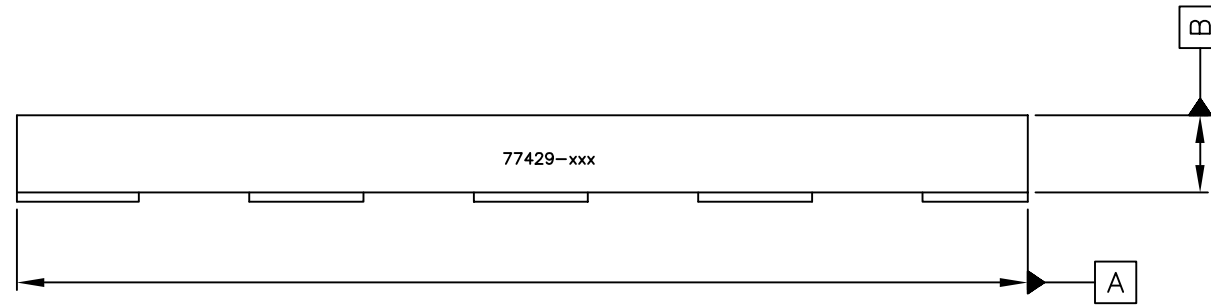


PRODUCT NUMBER	COLOUR
77429-001	BLACK RAL 9005
77429-002	GREY RAL 7035



NOTE:

1. MATERIAL : MODIFIED POLYPHENYLENE OXIDE; FLAMMABILITY PER UL-94-V1
2. THIS PRODUCT MEETS EUROPEAN UNION DIRECTIVES AND OTHER COUNTRY REGULATIONS AS DESCRIBED IN GS-22-008.
3. LEADFREE OR RoHS DIRECTIVE LABELLING TO BE PROVIDED AS PER GS-14-920.
4. "LF" SUFFIX TO THE PRODUCT NUMBER FOR RoHS COMPATIBLE/LEADFREE VERSION.
5. PARTS WITH AND WITHOUT "LF" SUFFIX ARE FORM-FIT AND FUNCTIONALLY IDENTICAL. "LF" SUFFIX PROVIDED FOR PART NUMBER STANDARDISATION OF PART THAT MEETS RoHS REQUIREMENTS.

mat'l. code		surface		tolerance		projection		product family	
SEE NOTE 1		ISO 1302		ISO 406 ISO 1101		mm		BACKPANEL	
ltr	ecn no	dr	date	tolerances unless otherwise specified		mm		title	
A	H80467	LGI	1998-07-23	angles	linear	scale 1:1		REVERSE LOCKING FRAME TRIPLE ROW	
B	F00406	LLA	2000-05-22					dwg no	
C	I06-0082	MINI	2006-06-01					sheet 1 of 1	
D	I07-0021	KR	2007-02-09	dr	D.LEGRAND	2000-10-10	FCJ		size
				enr	J.F.NOTTEAU	2000-10-10			A3
				chr	RAKHEE GEORGE	2007-02-09			
				appd	RAKHEE GEORGE	2007-02-09			
sheet index	revision sheet	D	1					type Product Customer Drawing	