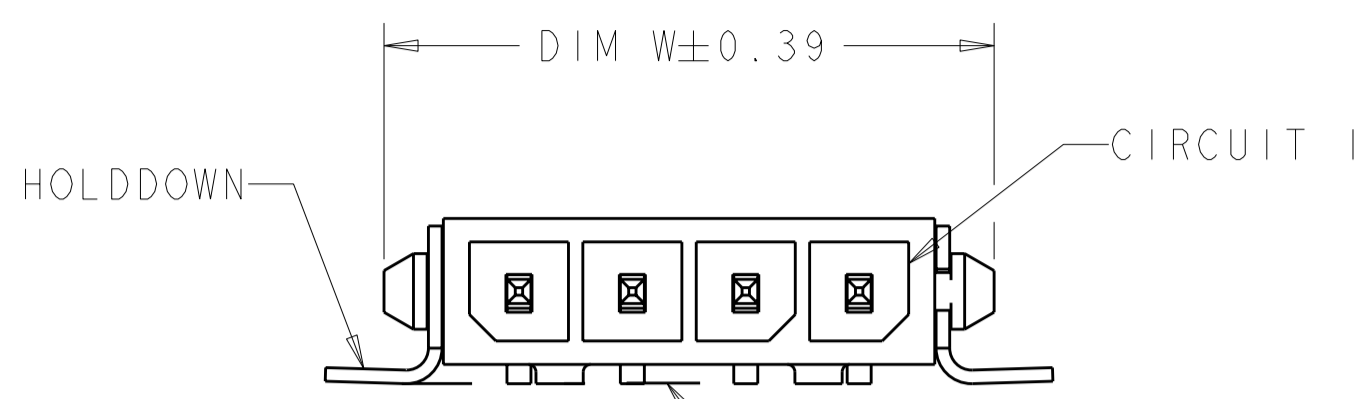
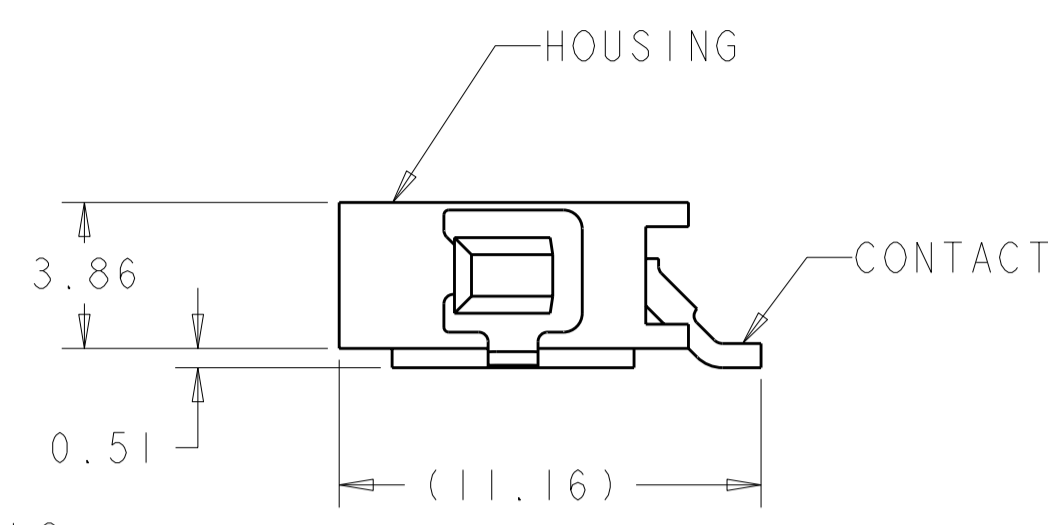


THIS DRAWING IS UNPUBLISHED. RELEASED FOR PUBLICATION 20  
 © COPYRIGHT 20 BY TYCO ELECTRONICS CORPORATION. ALL RIGHTS RESERVED.

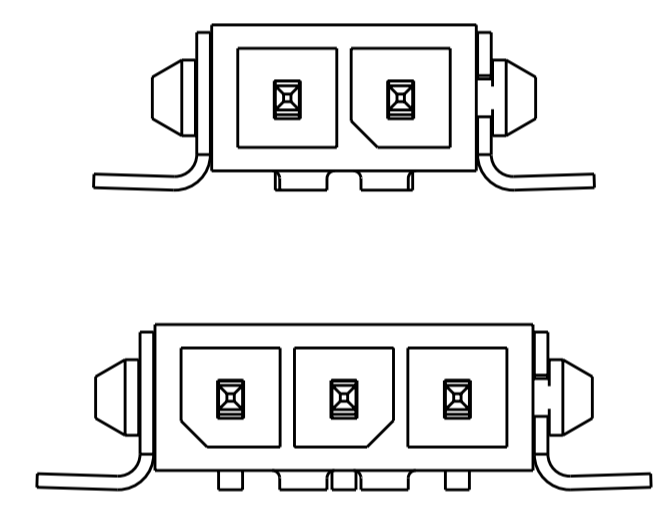
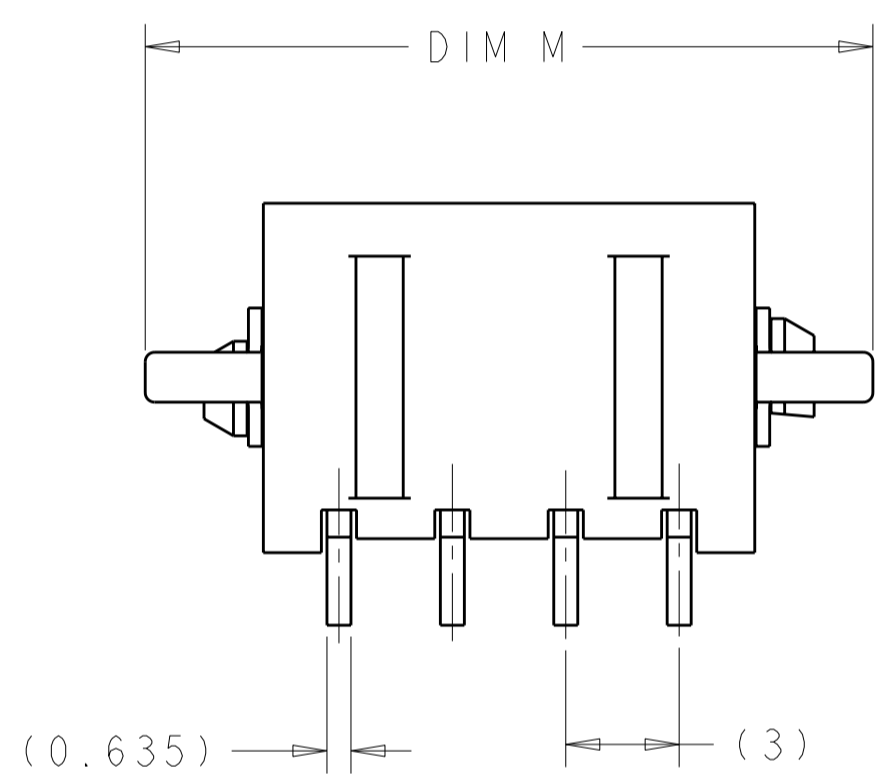
LOC	DIST	REVISIONS					
CM	00	P	LTR	DESCRIPTION	DATE	DWN	APVD
		A		WR-08-62	19NOV2008	KW	CJ



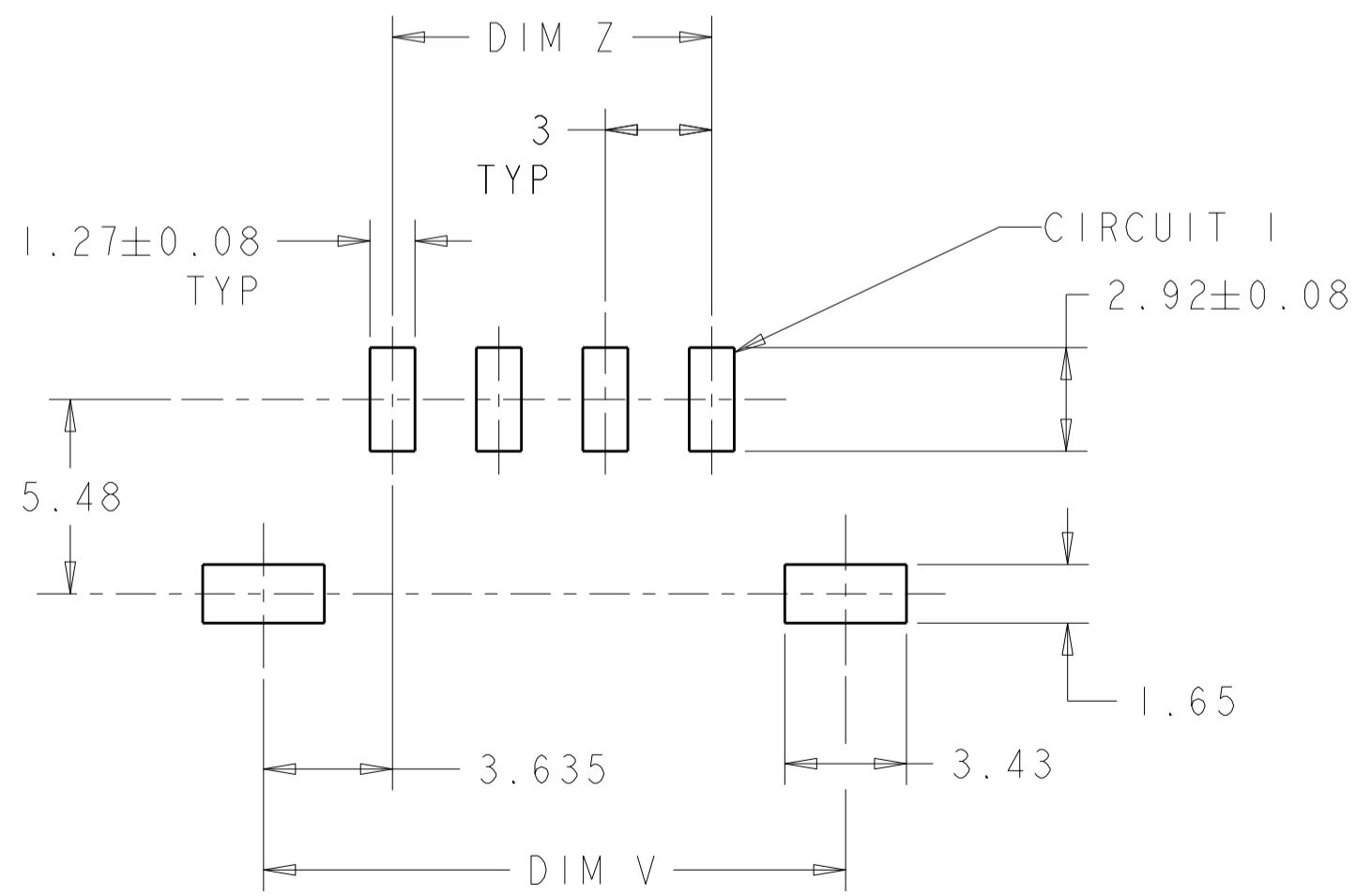
0.15  
 INCLUDES CONTACT TAILS,  
 HOUSING STANDOFFS, AND  
 BOARDLOCKS



- 1 MATERIAL: CONTACTS - BRASS  
 HOUSING - UL 94V-0 RATED HIGH TEMP NYLON,  
 COLOR BLACK.  
 HOLDDOWNS - PHOSPHOR BRONZE.
- 2 PLATING: CONTACTS - 0.76µm MINIMUM GOLD ON MATING END,  
 2.54µm MINIMUM MATTE TIN ON SOLDER  
 TAILS, BOTH OVER 1.27µm MINIMUM NICKEL.  
 HOLDDOWNS - 2.54µm MINIMUM MATTE TIN OVER 1.27µm  
 MINIMUM NICKEL.
- 3 RECOMMENDED PC BOARD THICKNESS OF 1.57.



KEYING BY POSITION SIZE



PCB LAYOUT COMPONENT SIDE 3

19.25	9	16	16.41	4	2029266-4
16.25	6	13	13.41	3	2029266-3
13.25	3	10	10.41	2	2029266-2
DIM M	DIM Z	DIM W	DIM V	NO. OF POSN	PART NUMBER

THIS DRAWING IS A CONTROLLED DOCUMENT FOR TYCO ELECTRONICS CORPORATION IT IS SUBJECT TO CHANGE AND THE CONTROLLING ENGINEERING ORGANIZATION SHOULD BE CONTACTED FOR THE LATEST REVISION.		DWN K. WHITAKER 19NOV2008	Tyco Electronics Harrisburg, PA 17105-3608	
DIMENSIONS: mm		CHK C. JONES 19NOV2008	NAME RTANG SURF MNT HDR ASSY, SIDE LOCK, 0.76 GOLD, SURF MOUNT HOLDDOWNS, SINGLE ROW, MICRO MATE-N-LOK(TM)	
TOLERANCES UNLESS OTHERWISE SPECIFIED: 0 PLC ± 1 PLC ± 2 PLC ±0.13 3 PLC ± 4 PLC ± ANGLES ± FINISH		APVD C. JONES 19NOV2008	RESTRICTED TO	
MATERIAL		PRODUCT SPEC	SIZE A200779	DRAWING NO C-2029266
1		APPLICATION SPEC	SCALE 5:1	SHEET 1 OF 1
2		WEIGHT	REV A	
CUSTOMER DRAWING				

