

1-Phase Power Supply, Primary Switch Mode for Use in Potentially Explosive Areas QUINT-PS-100-240AC/24DC/5/EX

QUINT POWER provides:

- **Preventive function monitoring** through professional signaling
- **Global use** due to a wide range input
- **A high level of operational safety** even in complex global networks
- **Reliable startup of heavy loads** due to POWER BOOST

The reliability of a power supply determines the availability of individual components in a system and whether complex systems can function safely.

The globalization of markets increases the demands placed on the power supply. A wide range input and a high level of availability are required.

These requirements are met by Generation 2 QUINT POWER.

1. Short Description

QUINT POWER is the universal 24 V supply of 60 - 960 W. Output currents of 2.5, 5, 10, 20, 30, and 40 A are available at an adjustable and regulated output voltage of 22.5 - 28.5 V DC. Output currents of 5 A and 10 A are available for use in potentially explosive areas of zone 2.

These devices, which are designed as primary switched-mode regulators, operate with a high level of efficiency so that heat loss is kept to a minimum.

The high level of operational safety is also ensured in complex global networks. QUINT POWER also operates in applications where static voltage dips, transient power supply failures or phase failure are common.

Large capacitors ensure mains buffering of more than 20 ms at full load. All 3-phase QUINT POWER units provide the complete output power even in the event of a continuous phase failure.

Reliable startup of heavy loads is ensured by a power reserve of up to 50% - the POWER BOOST.

Preventive function monitoring diagnoses an impermissible operating state and minimizes downtimes in your system. An active transistor output and an electrically isolated relay contact are provided for remote monitoring of this state.

This signal not only provides information on the device function, but also indicates a system overload at an early stage.



2. Area of Application

The power supply corresponds to the EN 50021 standard and may be installed within a potentially explosive area, in which Category 3 equipment is required.

The power supply is suitable for use in Class I, Division 2, Groups A, B, C, and D.

QUINT POWER can be used globally due to the consistent provision of a wide range input.

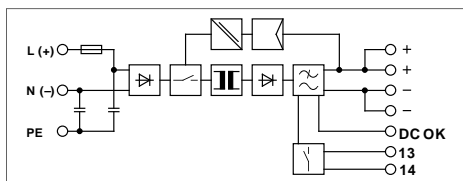
In this way, your entire system can be tested at any production location in the world and can be delivered to any location in the world without faulty switching of the input voltage. This reduces storage costs and logistical effort.

An international approval package including CB Scheme, UL 60950 for IT equipment, and UL 508 for industrial control equipment enables the device to be used globally.

Safe operation in adverse conditions is emphasized by the approval of the entire product range by Germanischer Lloyd.

1-Phase Power Supply, Primary Switch Mode for Use in Potentially Explosive Areas – QUINT 24 V DC/5 A/EX

3. Technical Data



QUINT 24 V DC/5 A /EX

1 AC



7	solid	flexible		torque	
	[mm ²]		AWG	[Nm]	[lb in.]
Input	0.2 - 2.5	0.2 - 2.5	25 - 14	0.5 - 0.6	4.4 - 5.3
Output	0.2 - 2.5	0.2 - 2.5	25 - 14	0.5 - 0.6	4.4 - 5.3
Signal	0.2 - 2.5	0.2 - 2.5	25 - 14	0.5 - 0.6	4.4 - 5.3

Description

Power Supply
Primary switch mode for potentially explosive areas

Technical Data

Input Data ①

Nominal input voltage
Input voltage range
Frequency
Current consumption (for nominal values)
Inrush current limiting/ I^2t (+25°C [+77°F])
Mains buffering for a nominal load (typical)
Switch-on time after applying the mains voltage
Transient surge voltage protection
Input fuse, internal
Recommended fuse

Discharge current for PE

Output Data ②

Nominal output voltage U_N /tolerance
Setting range for the output voltage
Output current during convection cooling and nominal values POWER BOOST I_{BOOST} -25°C to +40°C (-13°F to +104°F)
Nominal output current I_N -25°C to +60°C (-13°F to +140°F)
Short-circuit current limit
Startup of capacitive loads
System deviation on:
Load change static 10 - 90%
Load change dynamic 10 - 90%
Input voltage change $\pm 10\%$
No load/nominal load
Maximum power dissipation
Efficiency
Response time U_{OUT} (10% - 90%)
Residual ripple/switching peaks (20 MHz)
Can be connected in parallel
Internal surge voltage protection
Resistance to return supply

Signal Output Data

DC OK (active) ③
($U_{out} > 0.9 \times U_N \hat{=}$ high signal)
DC OK (electrically isolated) ④
($U_{out} > 0.9 \times U_N \hat{=}$ contact closed)
LED ⑥ ($U_{out} < 0.9 \times U_N \hat{=}$ LED flashing)

Type

QUINT-PS-100-240AC/24DC/5/EX

Order No.

29 38 85 3

Pcs. Pkt.

1

100 - 240 V AC (wide range input)
85 - 264 V AC 90 - 250 V DC
45 - 65 Hz 0 Hz
1.9 A (120 V AC)/0.8 A (230 V AC), approximately
20 A, approximately/2.5 A²s, approximately
> 20 ms (120 V AC)/> 100 ms (230 V AC)
< 1 s
Varistor
5 AT (device protection)
Circuit breaker 6 A, 10 A or 16 A
Characteristic B (EN 60 898)
< 3.5 mA

24 V DC $\pm 1\%$
22.5 - 28.5 V DC

7.5 A ($U_{out} = 24$ V DC)
5.0 A ($U_{out} = 24$ V DC)
 $I_{BOOST} \approx 7.5$ A, approximately
Unlimited
< 1%, typical
< 2%, typical
< 0.1%, typical
2.7 W/18 W, approximately
> 87% (for 230 V AC and nominal values)
< 2 ms, typical
< 100 mV_{pp} (for nominal values)
To increase redundancy and power
Yes, limited to 35 V DC, approximately
35 V DC

+24 V DC signal (with regard to the device weight)
40 mA, maximum
30 V AC/DC, maximum; 1 A, maximum, ohmic load

Green LED

1-Phase Power Supply, Primary Switch Mode for Use in Potentially Explosive Areas – QUINT 24 V DC/5 A/EX

General Data

Insulation voltage:	Input/output Input/PE Output/PE
Approval package	
Electrical equipment of machines	
Safety transformers for switched-mode power supply units	
Electrical safety (of IT equipment)	
Industrial control equipment	
Shipbuilding	
Equipping high voltage installations with electronic equipment	
Safety extra-low voltage	
Safe isolation	
Protection against electric shock	
Protection against dangerous shock currents, basic requirements for safe isolation in electrical equipment	
Limitation of harmonic line currents	
Conformance mark according to EN 50021	
Electrical equipment for explosion-protected areas	
Mounting position	
Can be mounted with spacing	
Degree of protection	
Class of protection	
MTBF	
Housing version	
Dimensions (W x H x D) + DIN rail	
Weight	

Climatic Data

Ambient temperature	Operation Storage
Humidity	
Vibration	according to IEC 68-2-6
Shock	according to IEC 68-2-27
Degree of pollution	
Climatic category	



Conforms to the EMC Directive 89/336/EEC and the Low Voltage Directive 73/23/EEC

EMC (Electromagnetic Compatibility) Noise Immunity According to EN 61000-6-2:

Electrostatic discharge (ESD)	EN 61000-4-2 ³⁾	Housing Contact discharge: Air discharge:
Electromagnetic HF field	EN 61000-4-3 ²⁾	Housing Frequency: Field strength:
Fast transients (burst)	EN 61000-4-4 ³⁾	Input: Output: Signal:
Surge current loads	EN 61000-4-5 ³⁾	Input: Output: Signal:
Conducted interference	EN 61000-4-6 ²⁾	I/O/S: Frequency: U ₀ :
Voltage dips	EN 61000-4-11 ³⁾	Input:
Simulation of radiophone	EN 50204	Frequency: Field strength:

Noise Emission According to EN 50081-2:

Radio interference	EN 55011
Radio interference	EN 55011

EN 55011 corresponds to CISPR11/EN 55022 corresponds to CISPR22
EN 61000 corresponds to IEC 1000

²⁾Criterion A: Normal operating characteristics within the specified limits.

³⁾Criterion B: Temporary adverse effects on the operating characteristics that the device corrects independently.

4 kV AC (type test)/2 kV AC (routine test)
3.5 kV AC (type test)/2 kV AC (routine test)
707 V DC (routine test)
EN 60 204 (Surge Voltage Category III)
EN 61 558-2-17
EN 60950/VDE 0805,
UL/C-UL Recognized UL 60 950
UL/C-UL Listed UL 508
Germanischer Lloyd LISTED
EN 50 178 (VDE 0160)
PELV (EN 60 204)
SELV (EN 60 950)
VDE 0100-410
DIN 57100-410
DIN VDE 0106-101
According to EN 61000-3-2
II 3G EEx nAC IIC T4 TÜV 03 ATEX 2047X
UL/c-UL Recognized UL 1604 Class I, Division 2, Groups A, B, C, D
On horizontal NS 35 DIN rail according to EN 50022
Vertical with ≥ 5 cm (1.969 in.)/horizontal 0 cm
IP 20
I, with PE connection
> 500 000 h according to IEC 1709 (SN 29 500)
AluNox (AlMg1), closed
Default upon delivery: Rotated 90°:
(55 x 130 x 125 mm(122 x 130 x 58 mm
[2.165 x 5.118 x 4.921 in.]) [4.803 x 5.118 x 2.283 in.]
1 kg, approximately

-25°C to +60°C/+40°C (-13°F to +140°F/104°F)
-40°C to +85°C (-40°F to +185°F)
Up to 100% at +25°C (+77°F), condensation permitted
< 15 Hz, amplitude ±2.5 mm/15 Hz - 150 Hz, 2.3 g, 90 minutes
30 g all space directions
2 (according to EN 50 178)
3K3 (according to EN 60 721)

Requirements EN 61 000-6-2 QUINT-PS-100-240AC/24DC/5/ EX

4 kV	Level 4
8 kV	8 kV
	15 kV
80 - 1000 MHz	Level 3
10 V/m	80 - 1000 MHz/1.4 - 2.0 GHz
2 kV asymmetrical ⁵⁾	4 kV (Level 4)
2 kV asymmetrical ⁵⁾	2 kV (Level 3)
1 kV asymmetrical ⁵⁾	1 kV (Level 2)
2 kV asymmetrical ⁵⁾	4 kV (Level 4)
1 kV symmetrical ⁴⁾	2 kV (Level 4)
0.5 kV asymmetrical ⁵⁾	0.5 kV (Level 1)
0.5 kV symmetrical ⁴⁾	0.5 kV (Level 1)
1 kV asymmetrical ⁵⁾	1 kV (Level 2)
	asymmetrical ⁵⁾
0.15 - 80 MHz	Level 3
10 V	0.15 - 80 MHz
	10 V
30% reduction of the input voltage for 0.5 periods	See input data: Mains buffering > 20 ms
Not required	900 MHz/1800 MHz
	20 V/m
Class A ⁶⁾	EN 55011 (EN 55022) Class B ⁷⁾
Class A ⁶⁾	EN 55011 (EN 55022) Class B ⁷⁾

⁴⁾symmetrical: Cable to cable

⁵⁾asymmetrical: Cable to ground

⁶⁾Class A: Industrial application

⁷⁾Class B: Industrial and domestic applications

4. Device View, Connections, and Control Elements

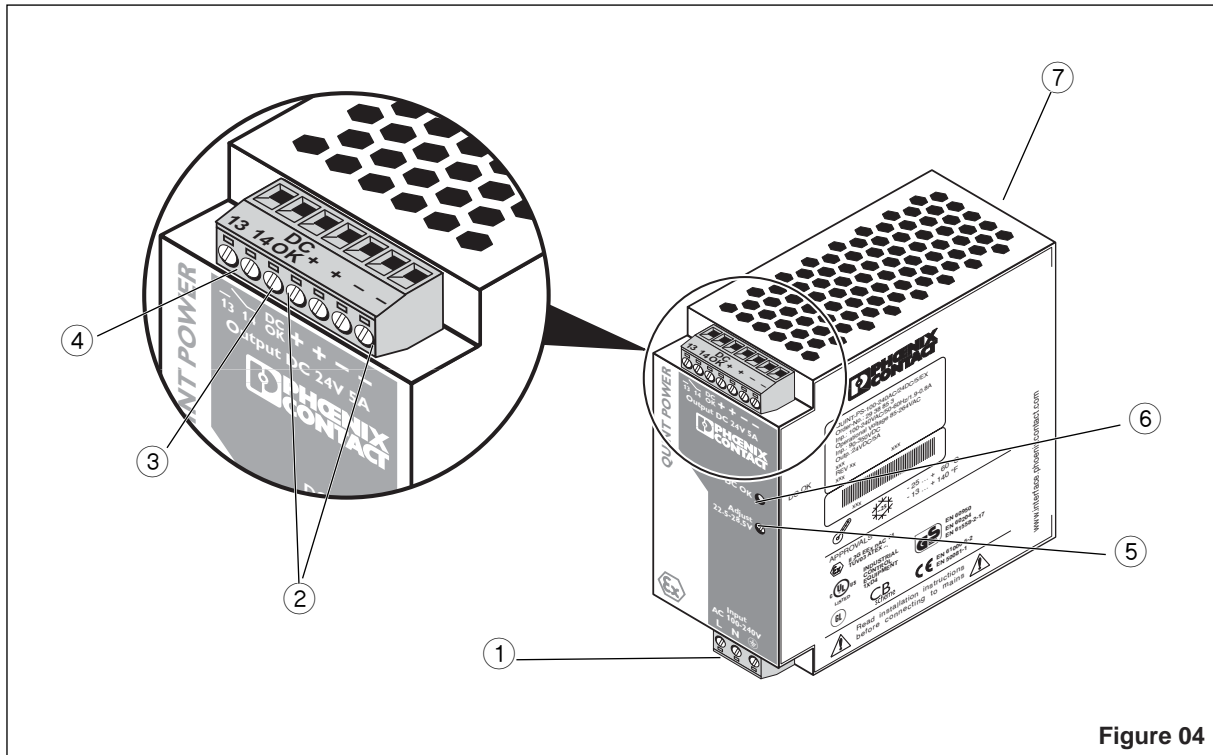


Figure 04

① **AC input:**

Input voltage 85 - 264 V AC/90 - 250 V DC
 Frequency 45 - 65 Hz
 (0.2 mm² to 2.5 mm² solid)
 (0.2 mm² to 2.5 mm² flexible)
 (25 - 14 AWG)
 Internal fuse 5 AT
 Recommended fuse
 6 A, 10 A or 16 A c.b./Characteristic B

② **DC output:**

Output voltage 24 V DC (default),
 can be set from 22.5 - 28.5 V DC using
 a potentiometer ⑤ (0.2 mm² to 2.5 mm² solid)
 (0.2 mm² to 2.5 mm² flexible) (25 - 14 AWG)
 The device is idling-proof and short-circuit-proof.

③ **DC OK output active**

④ **DC OK output electrically isolated**

⑤ **Potentiometer (covered) 22.5 - 28.5 V DC**

⑥ **DC OK LED**

⑦ **Universal DIN rail adapter UTA 107**

5. Safety Notes and Warning Instructions

To ensure safe operation of the device, please read these instructions carefully.

Installation, startup, and maintenance must only be carried out by qualified personnel. The relevant country-specific safety rules and regulations for the prevention of accidents must also be observed.



Caution: Never carry out work when the power is turned on, this is highly dangerous. The circuits inside the device must not be accessed during operation.

When installing and operating electrical equipment, the applicable national safety standards and the general technical regulations (e.g., EN 60 079-14 VDE 0165 Part 1) must be observed. It is particularly important to ensure that:


- The mains have been connected correctly and protection is provided against electric shock.
- The device can be switched off outside the power supply according to EN 60950 regulations (e.g., by the line protection on the primary side).
- The protective conductor is connected.
- All supply lines and outgoing cables have sufficient fuse protection and are the correct size for the current flow.
- Installation is carried out following the instructions provided.
- The specified mechanical or thermal limits are not exceeded during operation.
- At least IP 54 protection according to EN60529 is achieved after installation.
- If dust is present, the device must be installed in suitable housing.
- Only devices, which are suitable for operation in potentially explosive areas of zone 2 and are suited to the conditions at the installation location can be connected to supply and signal circuits in zone 2.
- When using a DC input voltage of more than 120 V, a suitable fuse must be fitted.

6. Installation

6.1. Mounting

The power supply can be snapped onto all DIN rails according to EN 50022-35 and should be mounted horizontally (input terminal blocks facing downwards).

Installation Dimensions



To ensure sufficient convection, we recommend a minimum spacing of 5 cm (1.969 in.) to other modules above and below the device. No minimum spacing to other modules at the sides is required for proper operation of the device. The housing temperature can reach high values depending on the ambient temperature and the load of the device.

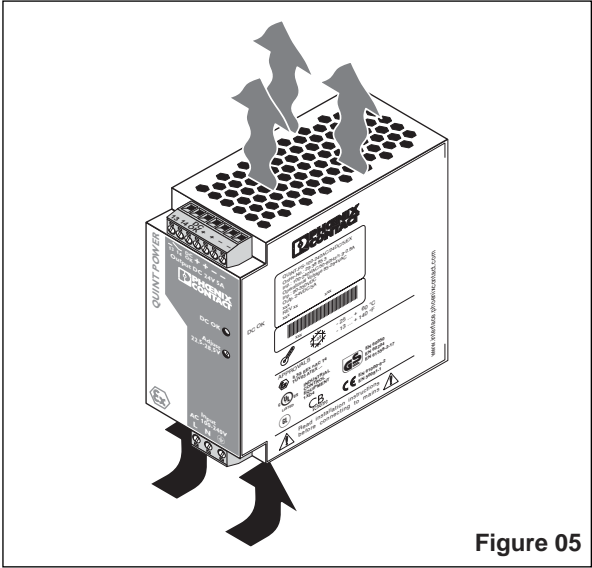


Figure 05

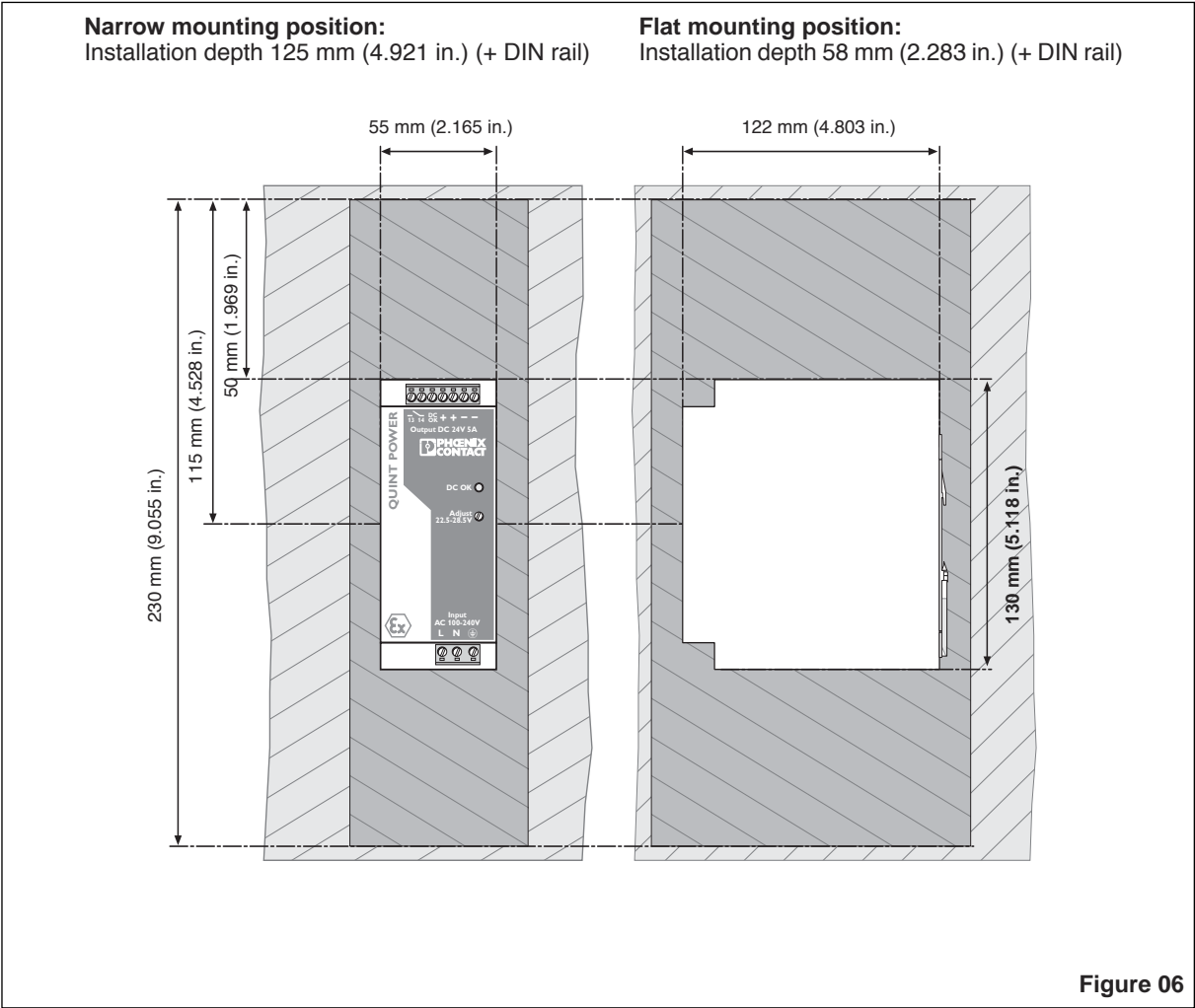


Figure 06

6.2. Narrow Mounting Position

The device is supplied ex works for a narrow mounting position.

Mounting:

Place the module with the DIN rail guideway on the **top edge** of the DIN rail and then snap it **downwards**.

Removal:

Release the snap-on catch using a screwdriver and then detach the module from the **bottom edge** of the DIN rail.

6.3. Flat Mounting Position

A flat mounting position can be achieved by mounting the module onto the DIN rail at a 90° angle. To do this, mount the DIN rail adapter (UTA 107) ⑦ as shown in Figure 08. No additional mounting material is required. Mounting screws: Torx T10 (torque 0.8 - 0.9 Nm/7 - 8 lb in.).

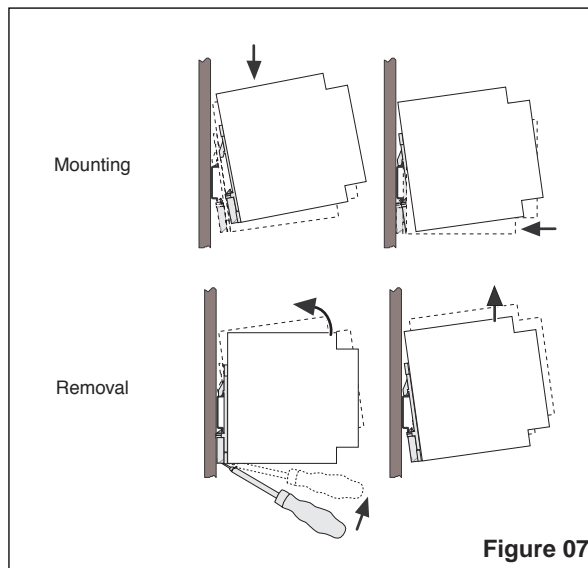


Figure 07

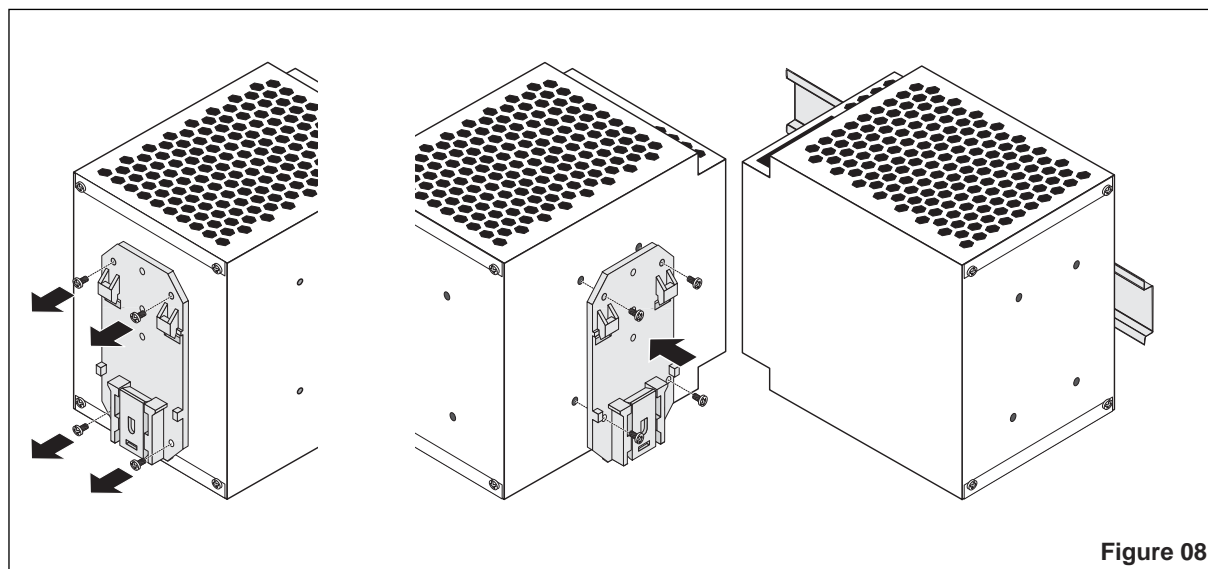
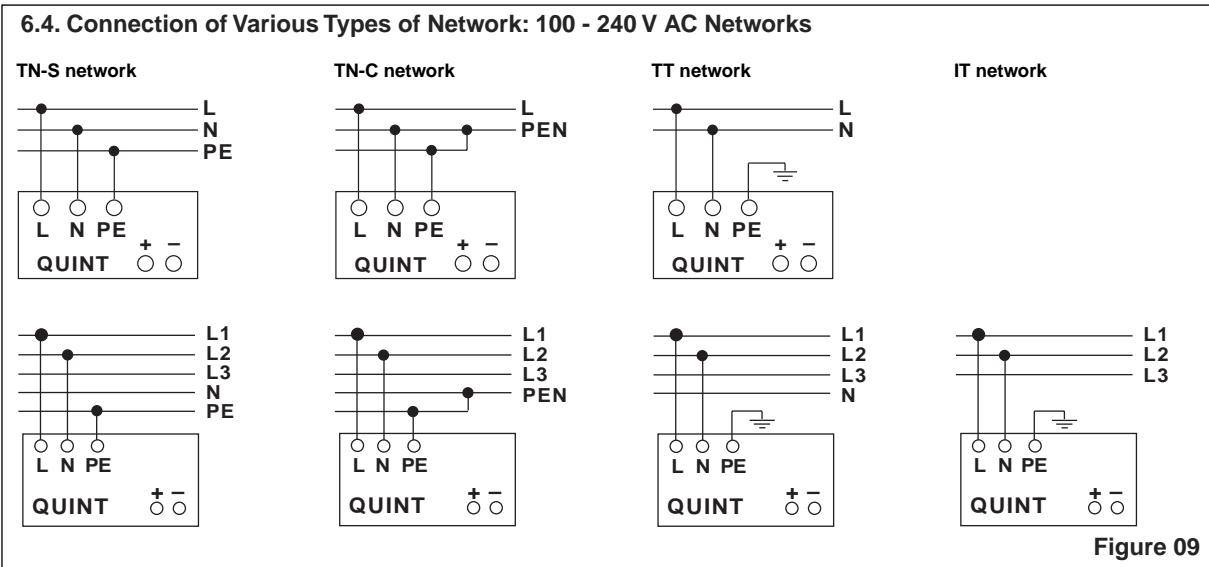


Figure 08



Connection Cable:

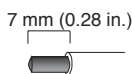
The device is equipped with COMBICON connectors. This reliable user-friendly connection method enables quick device connection and safe isolation of the electrical connection, if required. Only operate connectors when the power is switched off.

To maintain UL approvals, use copper cables, which are designed for operating temperatures of 75°C (167°F). To maintain GL approval, unused terminal compartments should be closed.

The following cable cross sections can be connected:

	Solid [mm ²]	Flexible [mm ²]	AWG	Torque [Nm]	Torque [lb in.]
① Input:	0.2 - 2.5	0.2 - 2.5	25 - 14	0.5 - 0.6	4.4 - 5.3
② Output:	0.2 - 2.5	0.2 - 2.5	25 - 14	0.5 - 0.6	4.4 - 5.3
③ Signal:	0.2 - 2.5	0.2 - 2.5	25 - 14	0.5 - 0.6	4.4 - 5.3

For reliable and safe-to-touch connection: Strip 7 mm (0.28 in.) from the connector ends.



To maintain EN 60 950/UL 60 950, flexible cables require ferrules.

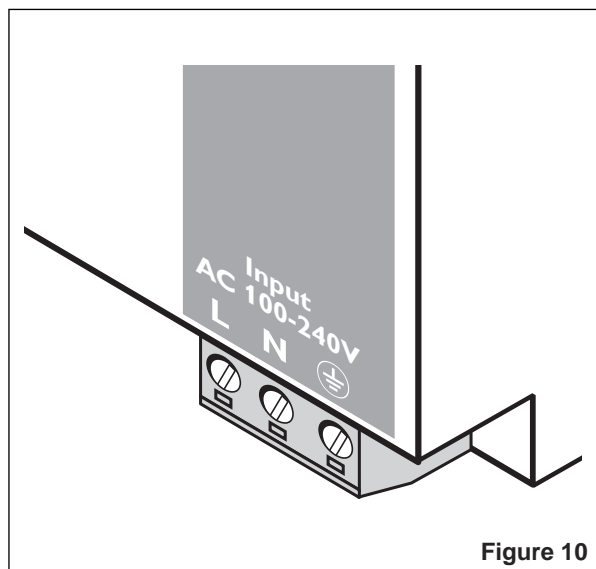
6.5. Input (①, Figure 10)

The 100 - 240 V AC connection is made using screw connections L, N, and PE.

The device can be connected to single-phase AC networks or to two external conductors for three-phase networks (TN, TT or IT network according to VDE 0100 T 300/IEC 364-3) with nominal voltages of 100 - 240 V AC.

Protecting the Primary Side

The device must be installed according to the specifications of EN 60 950. It must be possible to switch off the device using a suitable disconnecting device outside the power supply. Note that an all-pole disconnecting device must be provided for two-phase operation using two external conductors for a three-phase network. For example, primary side line protection could be used.



Additional device protection is not required, as an internal fuse is present.

Recommended Fuse:

Circuit breaker 6 A, 10 A or 16 A, Characteristic B (or equivalent). No more than one power supply should be connected to a fuse or a power switch. When using a DC input voltage of more than 120 V, a suitable fuse must be fitted.



If the internal fuse is blown, this is most probably due to a device fault. In this case, the device should be checked and/or repaired in the factory. The power supply unit cannot be repaired by the user and must be replaced by an equivalent device.

1-Phase Power Supply, Primary Switch Mode for Use in Potentially Explosive Areas – QUINT 24 V DC/5 A/EX

6.6. Output (Figure 11)

During operation only devices, which are suitable for operation in potentially explosive areas of zone 2, can be connected to the output voltage in zone 2.

The 24 V DC connection is made using the "+" and "-" screw connections on the screw connection ②. The output voltage set upon delivery is 24 V DC.

The output voltage can be adjusted from 22.5 to 28.5 V DC on the potentiometer ⑤. The output voltage cannot be adjusted during operation in potentially explosive areas.

Protecting the Secondary Side:

The device is electronic short-circuit-proof and idling-proof. In the event of an error, the output voltage is limited to a maximum of 35 V DC.

It should be ensured that all output cables are the correct size for the maximum output current or have separate fuse protection.

The secondary side cables should have large cross sections to keep voltage drops on the cables to a minimum.

External decoupling diodes are required for redundancy operation of these power supplies.

For example, the QUINT-DIODE/40 redundancy module could be used (Order No.: 29 38 96 3).

Signaling

Both DC OK outputs are used for preventive function monitoring of the power supply. An electrically isolated signal contact ④ and an active DC OK signal ③ are available. In addition, the DC OK LED ⑥ can be used to evaluate the function of the power supply directly at the installation location.

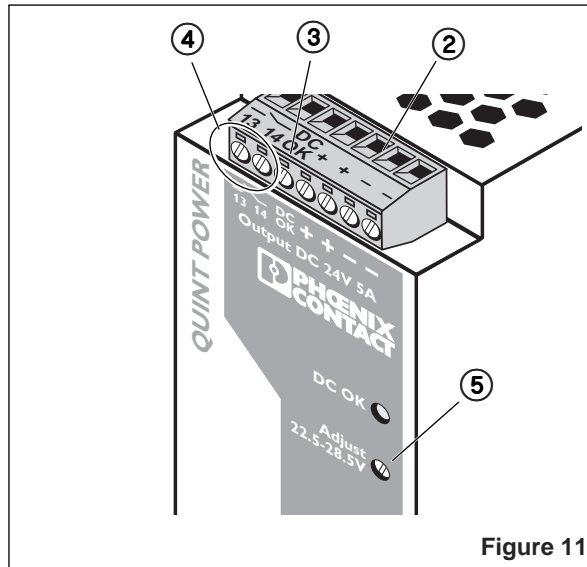


Figure 11

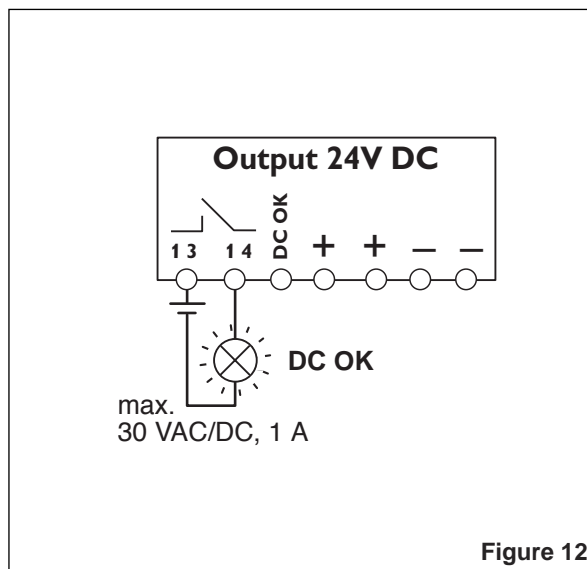


Figure 12

Green "DC OK" LED	ON	Flashing	OFF
Active DC OK switching output (with reference to "-")	U = 24 V	U = 0 V	U = 0 V
Electrically isolated DC OK output	Closed	Open	Open
Meaning	Output voltage greater than 90% of the set voltage	Output voltage less than 90% of the set voltage	No voltage at the output
Description	Output voltage and current OK	QUINT POWER operating, but: • Error at the load • Current consumption greater than I _{BOOST} • Output short circuit	QUINT POWER not operating, because: • No mains voltage present • Primary side fuse is blown • Device is faulty

Electrically Isolated Contact (Figure 12)

When opened, the electrically isolated signal contact indicates that the output voltage has fallen more than 10% below the set value. Signals and ohmic loads up to a maximum of 30 V and currents up to a maximum of 1 A can be switched.

With heavy inductive loads, e.g., a relay, a suitable protective circuit (e.g., free-wheeling diode) is required.

Active Signal Output (Figure 13)

The 24 V DC signal is between the "DC OK" and "-" connection terminal blocks and can be loaded with 40 mA maximum. This signal output indicates that the output voltage has fallen more than 10% below the set value when "active high" changes to "low".

The DC OK signal is isolated from the power output. This ensures that a separate supply does not enter from devices connected in parallel.

The 24 V DC signal can be connected directly to the logic input for evaluation.

Signal Loop (Figure 14)

The two signal outputs mentioned above can be combined easily.

Example: Monitoring two devices

Use the active alarm output of device 1 and loop in the electrically isolated alarm output of device 2. In the event of an error, a group error message is generated. It is possible to loop any number of devices.

This signal combination saves on wiring costs and logic inputs.

DC OK LED

The green DC OK LED enables local function evaluation in the control cabinet.

LED ON	Normal operation of the power supply
LED flashing	The output voltage has fallen by more than 10%. There is a secondary load short circuit or overload outside the POWER BOOST area.
LED OFF	No mains voltage is present or there is a device fault.

7. Function

7.1. Output Characteristic Curve

The device can supply a nominal output current of 5 A up to an ambient temperature of 60°C (140°F). With an ambient temperature of up to 40°C (104°F) the device continuously supplies an output current of 7.5 A. At temperatures up to 60°C (140°F), the POWER BOOST provides a short-term output current of 7.5 A for a few minutes.

With high loads, the working point demonstrates the U/I characteristic curve shown in Figure 15.

On an overload or short circuit, the entire output current I_{BOOST} is provided permanently at a reduced output voltage.

Once the overload or short circuit has been removed, the entire set secondary voltage is available again.

The U/I characteristic curve ensures that both heavy capacitive loads and devices with DC/DC converters can be supplied by QUINT POWER in the input circuit without any problems.

Connected fuses are reliably tripped. The selectivity in your system configuration is ensured at all times.

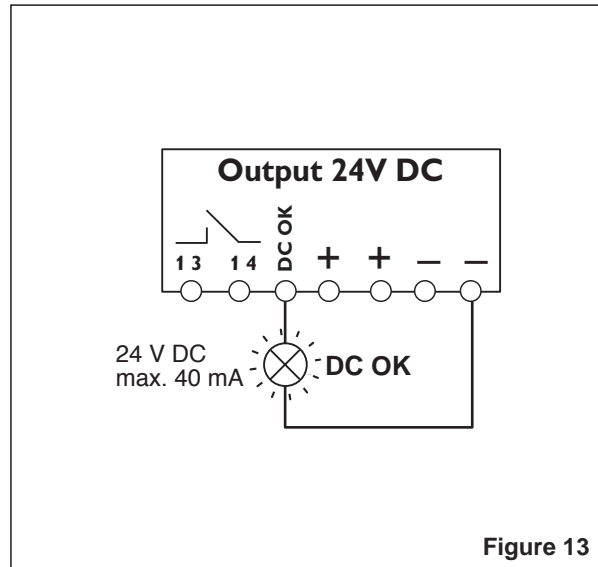


Figure 13

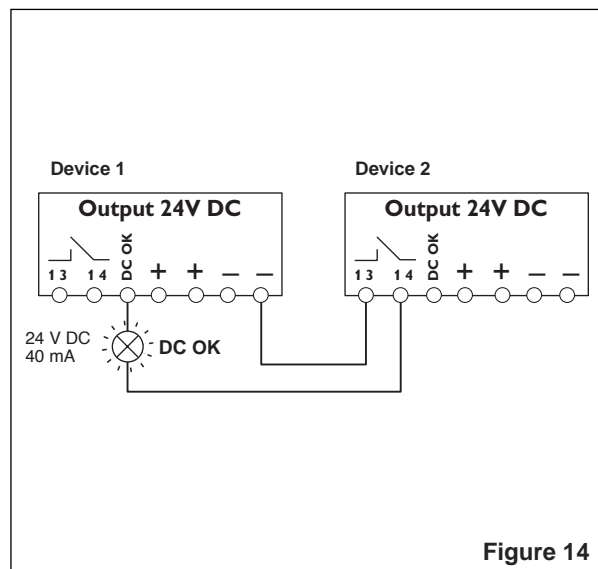


Figure 14

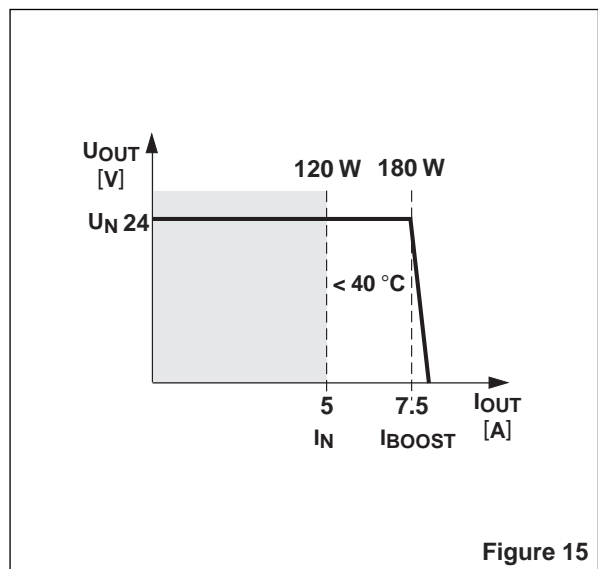


Figure 15

7.2. Temperature Response

The device can supply a nominal current of 5 A up to an ambient temperature of 60°C (140°F). With an ambient temperature of up to 40°C (104°F) the device continuously supplies an output current of 7.5 A. At temperatures up to 60°C (140°F), the POWER BOOST provides a short-term output current of 7.5 A for a few minutes.

The device does not switch off in the event of a thermal overload. The output power is decreased to such an extent that device protection is provided. Once the device has cooled, the output power is increased again.

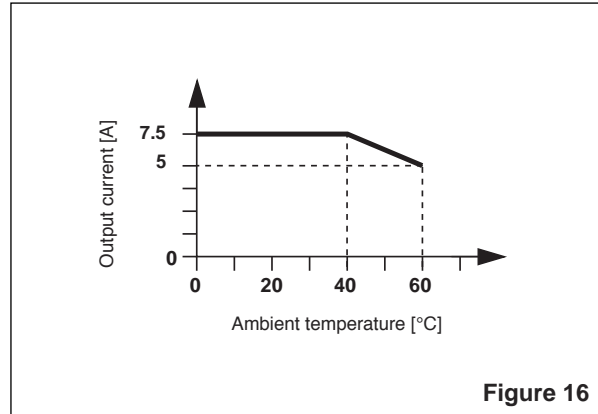


Figure 16

7.3. Parallel Operation

Devices of the same type can be connected in parallel to increase both redundancy and power. The default setting does not have to be adjusted.

If the output voltage is adjusted, an even current distribution can be ensured by precisely setting all power supplies that are operated in parallel to the same output voltage.

To ensure symmetrical current distribution we recommend that all cable connections from the power supply to the DIN rail are the same length and have the same cross section.

Depending on the system, for parallel connection of more than two power supplies a protective circuit should be installed at each individual device output (e.g., redundancy module or DC fuse). This means that in the event of a secondary device fault high return currents are avoided.

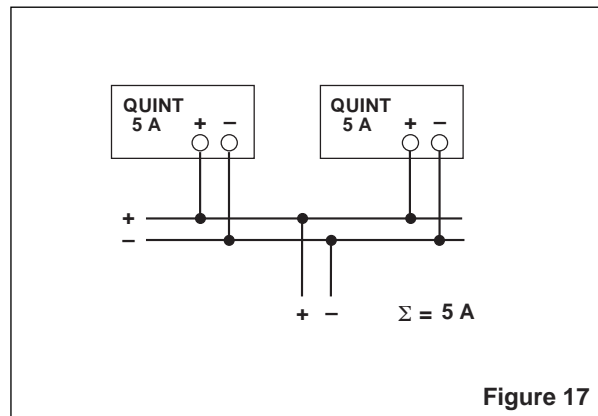


Figure 17

7.4. Redundancy Operation (Figure 17)

Redundant connections are designed for supplying systems, which place particularly high requirements on operational safety. If a fault occurs in the primary circuit of device 1, device 2 automatically takes over the complete power supply without interruption and vice versa.

For this purpose, the power supplies to be connected in parallel must be large enough that the total current requirements of all loads can be fully met by one power supply.

External decoupling diodes are required for 100% redundancy. For example, the QUINT-DIODE/40 redundancy module could be used (Order No.: 29 38 96 3).

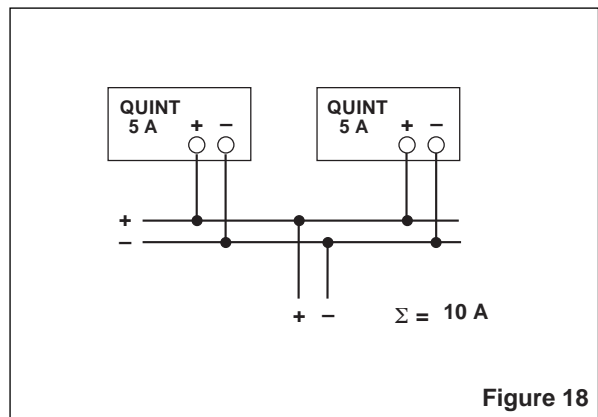


Figure 18

7.5. Power Increase (Figure 18)

The output current can be increased to $n \times I_N$ where n is the number of devices connected in parallel.

The parallel connection for power increase can be used to extend existing systems. A parallel connection is recommended if the power supply does not cover the current consumption of the most powerful load. Otherwise, the loads should be divided over independent individual devices.

A maximum of five devices can be connected in parallel.