

PLEASE CHECK WWW.MOLEX.COM FOR LATEST PART INFORMATION

Part Number: [62201-8668](#)
Status: **Active**
Description: Press-In Tool for Power Module Assembly

Documents:
[RoHS Certificate of Compliance \(PDF\)](#)

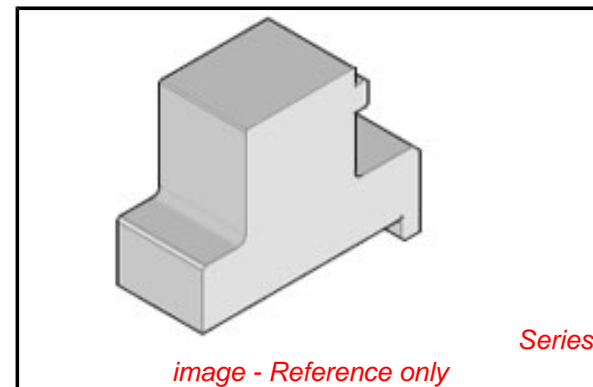
General

Product Family	Application Tooling
Series	T3002
Function	Insertion
Geographic Area	Global
Level of Automation	Manual
More Detailed Tech Information	applicationtooling@molex.com
Product Name	Impact™
Survey	www.molex.com//review/apptool_survey.html
Tool Type	Handtool
UPC	884982116269

Material Info

Reference - Drawing Numbers

Application Tooling Documents ATS-622018668, TM-622018799



EU RoHS

**ELV and RoHS
Compliant**

REACH SVHC

Not Reviewed

Low-Halogen Status

Not Reviewed

China RoHS



**Need more information on product
environmental compliance?**

Email productcompliance@molex.com
 For a multiple part number RoHS Certificate of
 Compliance, [click here](#)

Please visit the [Contact Us](#) section for any
 non-product compliance questions.

Search Parts in this Series

[T3002Series](#)

Use With

78215 Impact™ Power Module Assembly,
 Right Angle, 5-Pair Assemblies

Application Tooling | FAQ

Description	Product #
Impact™ 5 Pair, Right Angle Power Header, 2.00mm Pitch, Press-Fit, Blade A1 & A2, B1 & B2 Length 6.90mm , LCP, Glass Filled, UL94-V0, Black, Tray Packaging, Lead- Free	0782151011
Impact™ 5 Pair, Right Angle Power Header, 2.00mm Pitch, Press-Fit, Blade A1 & A2, B1 & B2 Length 5.70mm ,	0782151022

LCP, Glass Filled, UL94-V0, Black, Tray Packaging, Lead- Free	
Impact™ 5 Pair, Right Angle Power Header, 2.00mm Pitch, Press-Fit, Blade A1 & A2 Length 5.70mm, B1 & B2 Length 6.90mm, LCP, Glass Filled, UL94- V0, Black, Tray Packaging, Lead- Free	0782151033
Impact™ 5 Pair, Right Angle Power Header, 2.00mm Pitch, Press-Fit, Blade A1 & A2 Length 6.90mm, B1 & B2 Length 5.70mm, LCP, Glass Filled, UL94- V0, Black, Tray Packaging, Lead- Free	0782151044
Impact™ 5 Pair, Right Angle Power Header, Left Hold- Down, 2.00mm Pitch, Module 1: P1 & P2, Blade Length 6.90mm; Press-Fit, LCP, Glass Filled UL94-V0, Black, Tray Packaging, Lead- Free	0783511001
Impact™ 5 Pair, Right Angle Power Header, Left Hold- Down, 2.00mm Pitch, Module 1: P1 & P2, Blade Length 5.60mm & 6.90mm; Press-Fit, LCP, Glass Filled UL94-V0, Black, Tray Packaging, Lead- Free	0783511004
Impact™ 5 Pair, Right Angle Power Header, Left Hold- Down, 2.00mm Pitch, Module 1: P1 & P2, Blade Length 6.90mm; Module 2: P1 & P2, Blade Length 6.90mm; Press-Fit, LCP, Glass Filled UL94- V0, Black, Tray Packaging, Lead- Free	0783511011

Impact™ 5 Pair, 0783511021
Right Angle Power
Header, 2 Modules
with Left Hold-Down,
2.00mm Pitch,
Module 1: Blade
A1 & A2, B1 & B2
Length 5.70mm;
Module 2: Blade
A1 & A2, B1 & B2
Length 6.90mm;
Press-Fit, LCP,
Glass Filled UL94-
V0, Black, Tray
Packaging, Lead-
Free

Impact™ 5 Pair, 0783512001
Right Angle Power
Header, Right Hold-
Down, 2.00mm Pitch,
Module 1: P1 &
P2, Blade Length
6.90mm; Press-Fit,
LCP, Glass Filled
UL94-V0, Black, Tray
Packaging, Lead-
Free

Impact™ 5 Pair, 0783512011
Right Angle Power
Header, Right Hold-
Down, 2.00mm Pitch,
Module 1: P1 &
P2, Blade Length
6.90mm; Module
2: P1 & P2, Blade
Length 6.90mm;
Press-Fit, LCP,
Glass Filled UL94-
V0, Black, Tray
Packaging, Lead-
Free

This document was generated on 04/04/2013

PLEASE CHECK WWW.MOLEX.COM FOR LATEST PART INFORMATION