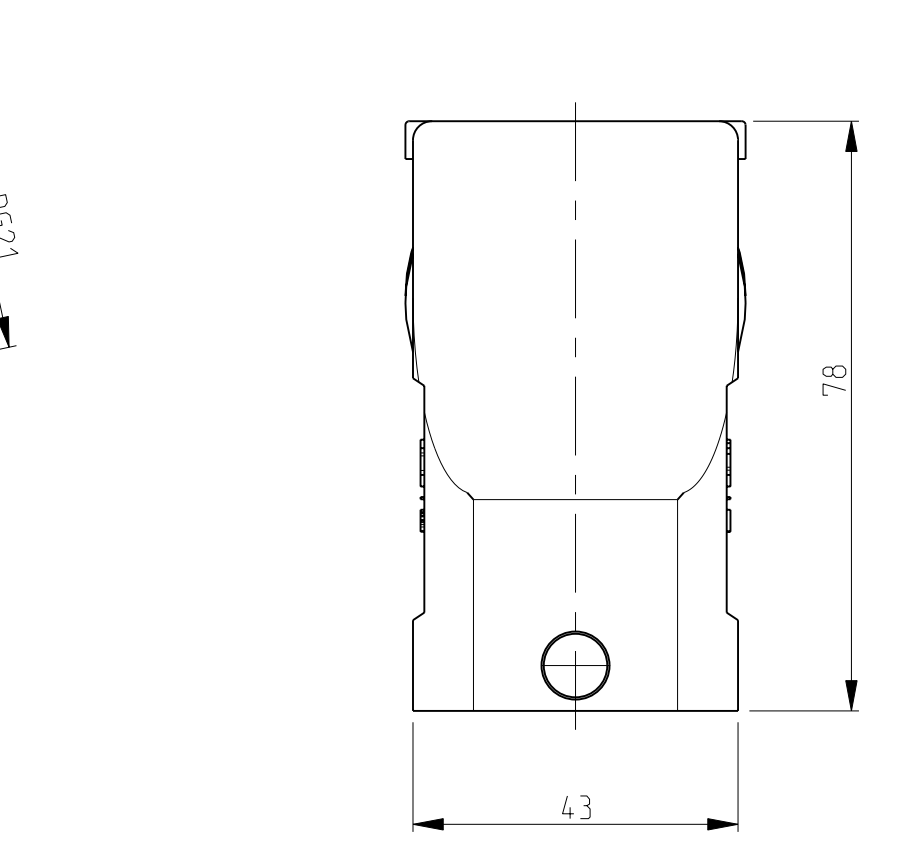
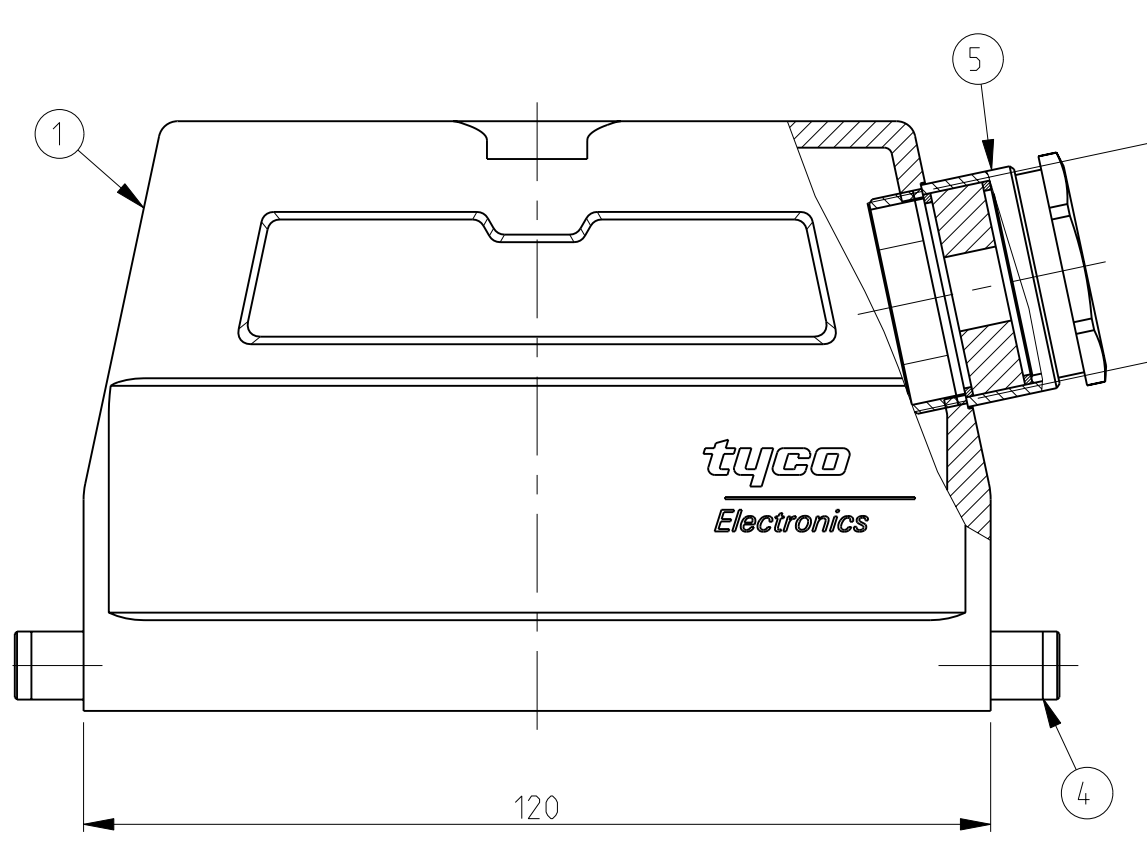
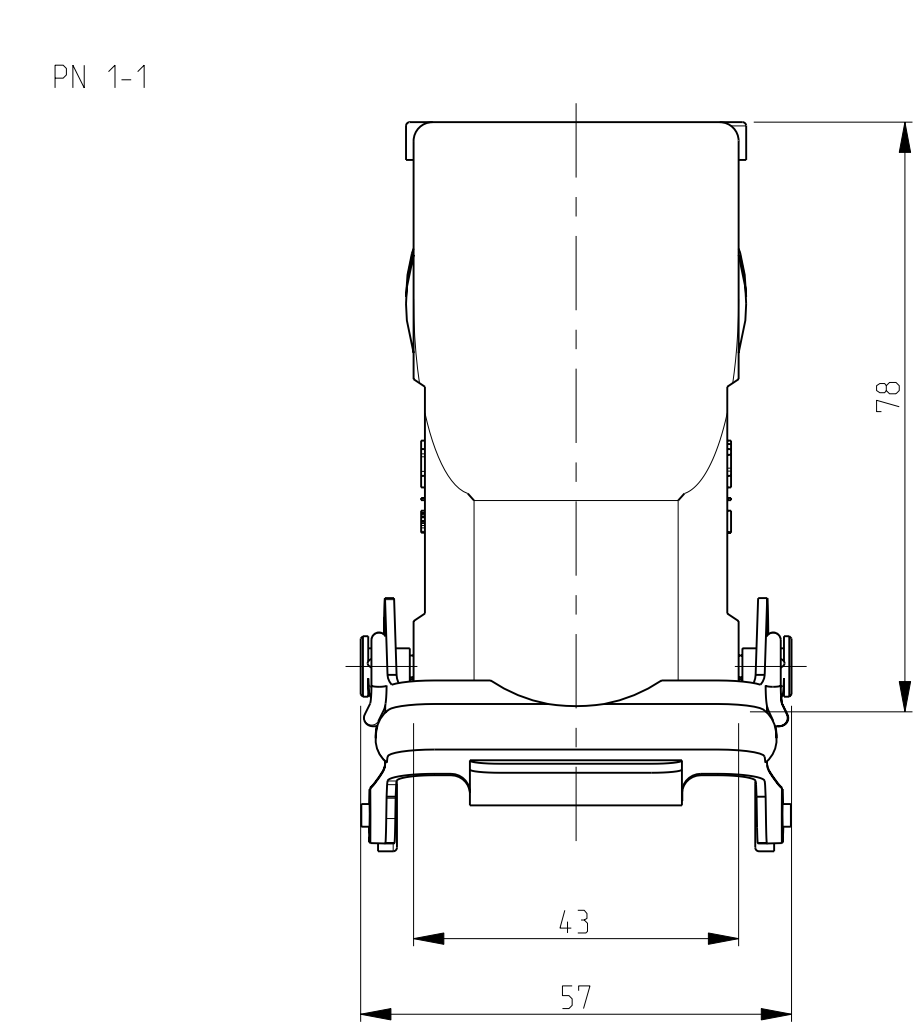
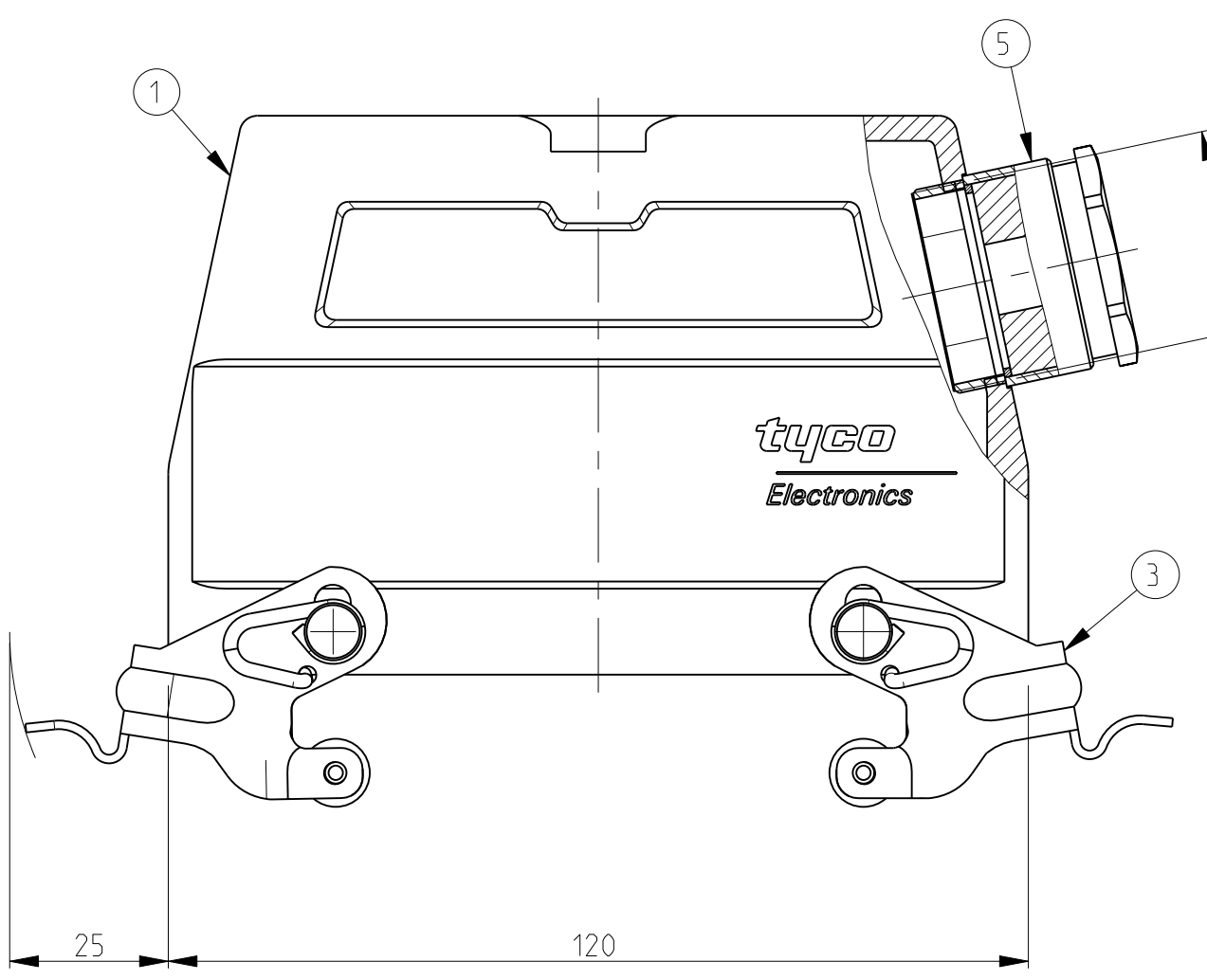
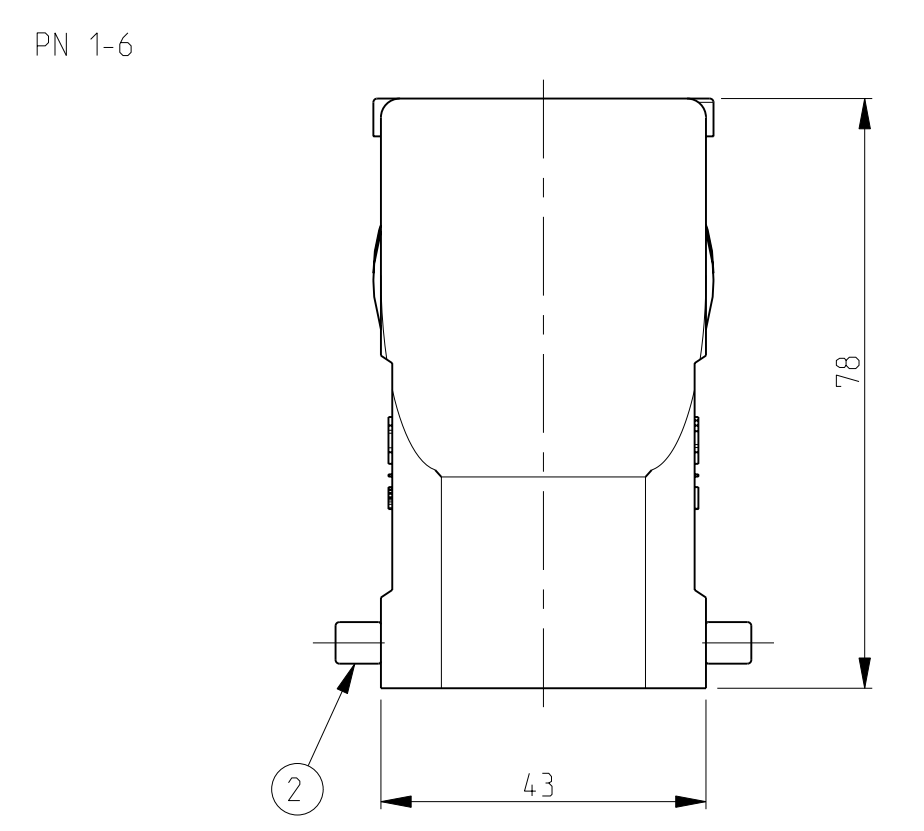
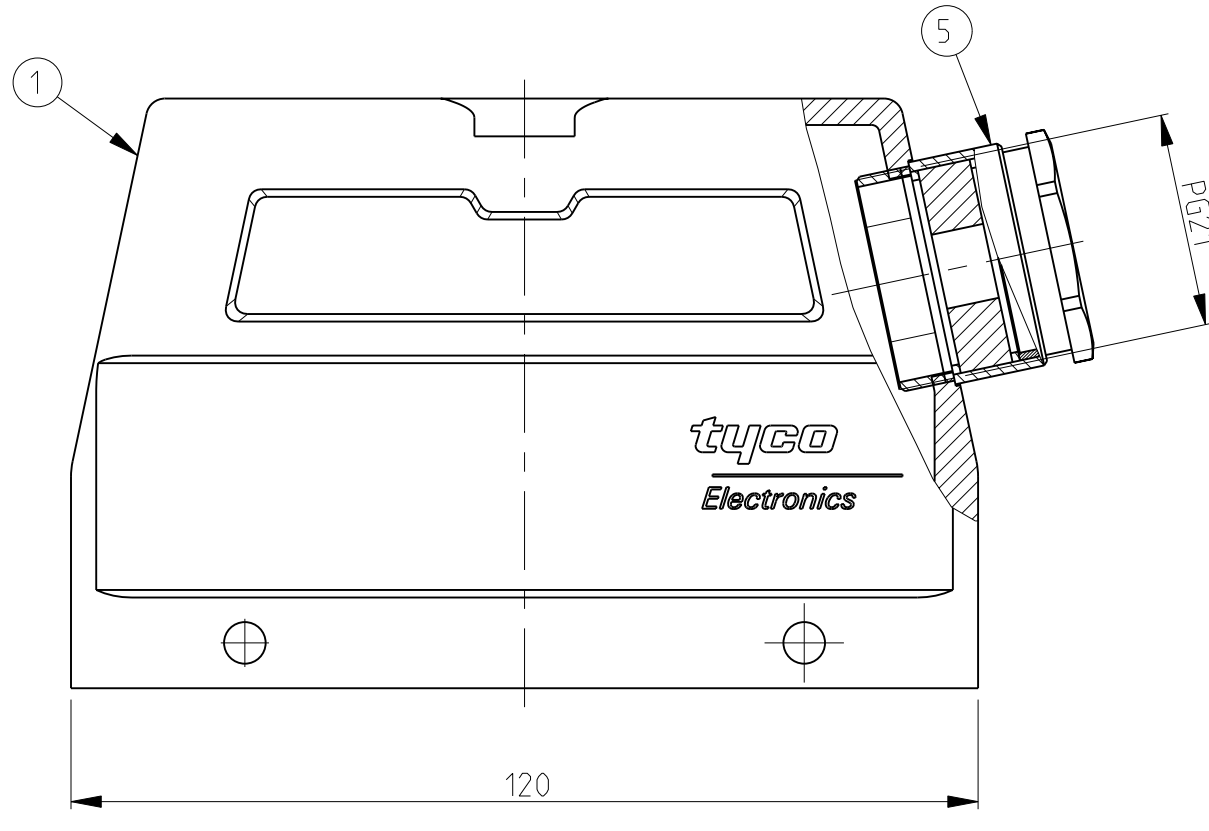
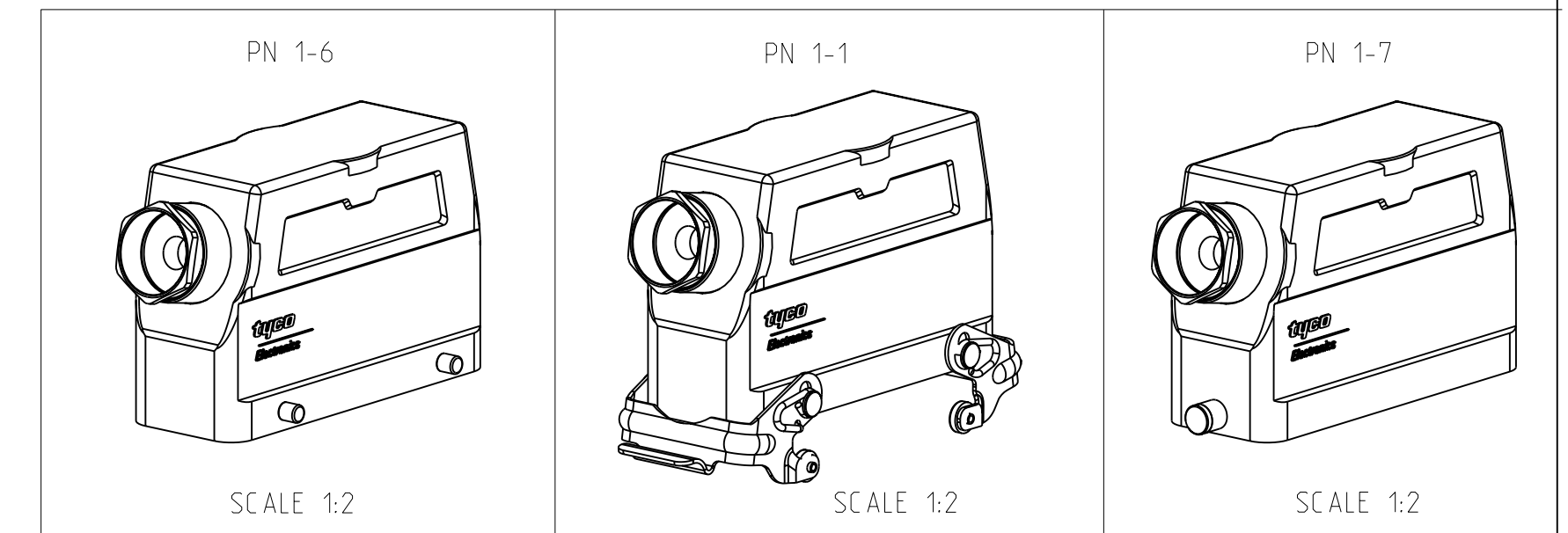


LOC	DIST	REVISIONS			
P	LTR	DESCRIPTION	DATE	DWN	APVD
A2		Released as per ECR-07-030424	17.12.07	SP	TS



- NOTES.
- 1 Material:Housing:Aluminium Diecasting Alloy
 - 2 Surface:Powder varnish grey
 - 3 Varnish on the inside not necessary
 - 4 Packaging
Quantity 5 Pieces in a box



QTY	DESCRIPTION	MATERIAL	SURFACE	COLOR	ITEM NO	REMARKS
1	1 Cable connection round	Brass	Nickel plated	Blue	5	PG21
2	2 LB-Clip bolt	Steel	Zinc plated	Blue	4	
2	2 VS-Clip bolt	Steel	Zinc plated	Blue	3	
4	4 VS-Clip bolt	Steel	Zinc plated	Blue	2	
1	1 HD Hood	Aluminium	-	Grey	1	

DIMENSIONS: mm		TOLERANCES UNLESS OTHERWISE SPECIFIED: 0 PL ± 1 PL ± 2 PL ± 3 PL ± 4 PL ± ANGLES ±		DWN Schneider 29.07.2003 CHK Schneider 29.07.2003 APVD Schweiher		Tyco Electronics Tyco Electronics,AMP.GmbH 0-53819,Neunkirchen,Germany	
MATERIAL: - FINISH: -		PRODUCT SPEC 108-74001 108-74003 APPLICATION SPEC 114-74001 114-74004		NAME: Hood HD.64.STS.1.21		RESTRICTED TO:	
CUSTOMER DRAW ING		WEIGHT: -		SIZE: A 00779 C=1103334		SCALE: 1:1 SHEET: 1 OF 1 REV: A2	