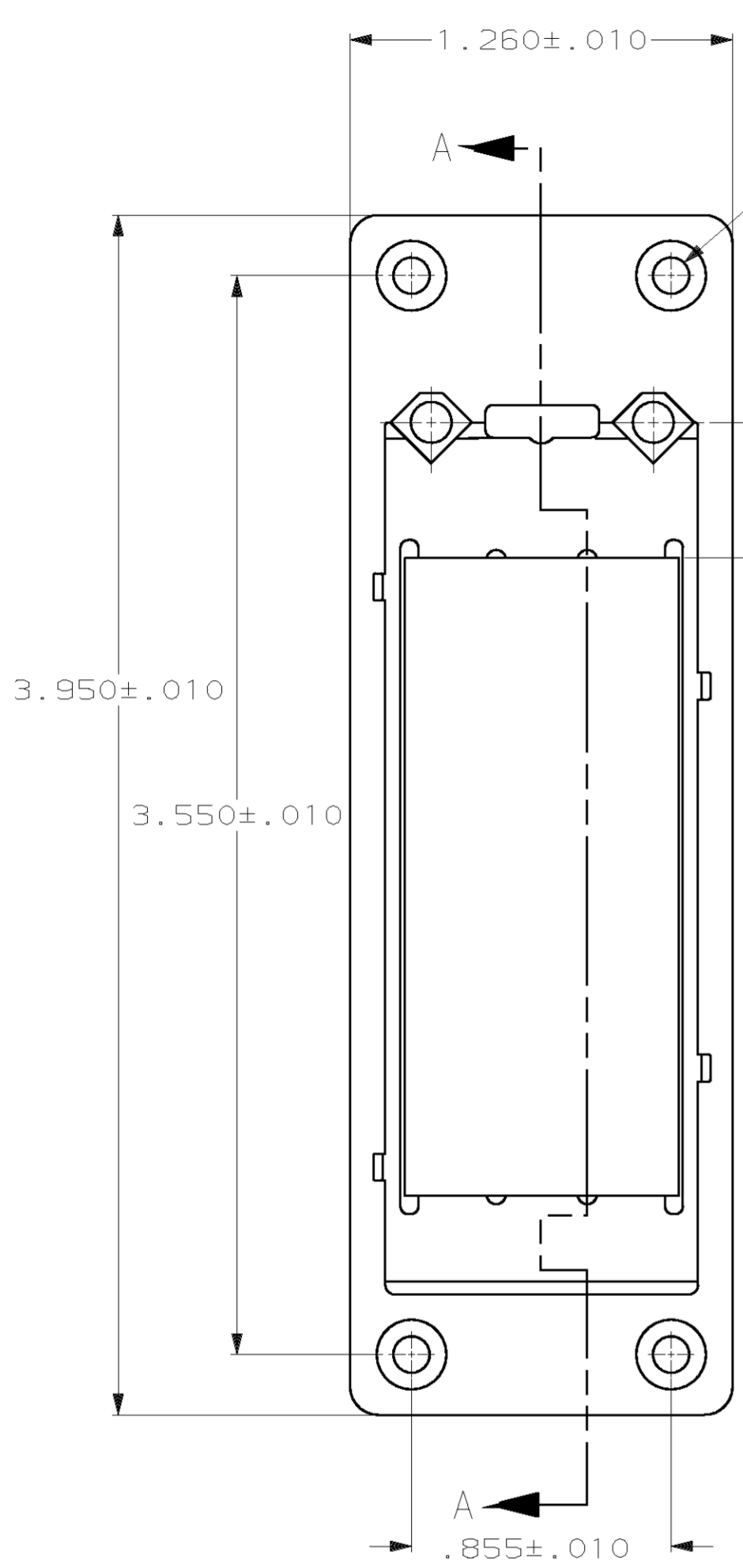
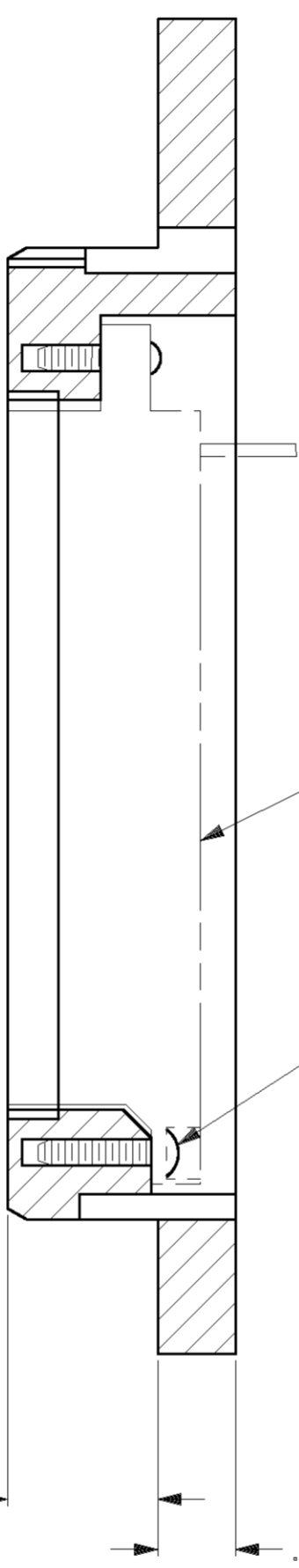


LOC	DIST	P	F	ZONE	LTR	REVISIONS	DATE	APPD
DF	EO				G	REV PER 063D-0362-01 JMK	6-03	RG
REVISIONS						DESCRIPTION	DATE	APPD

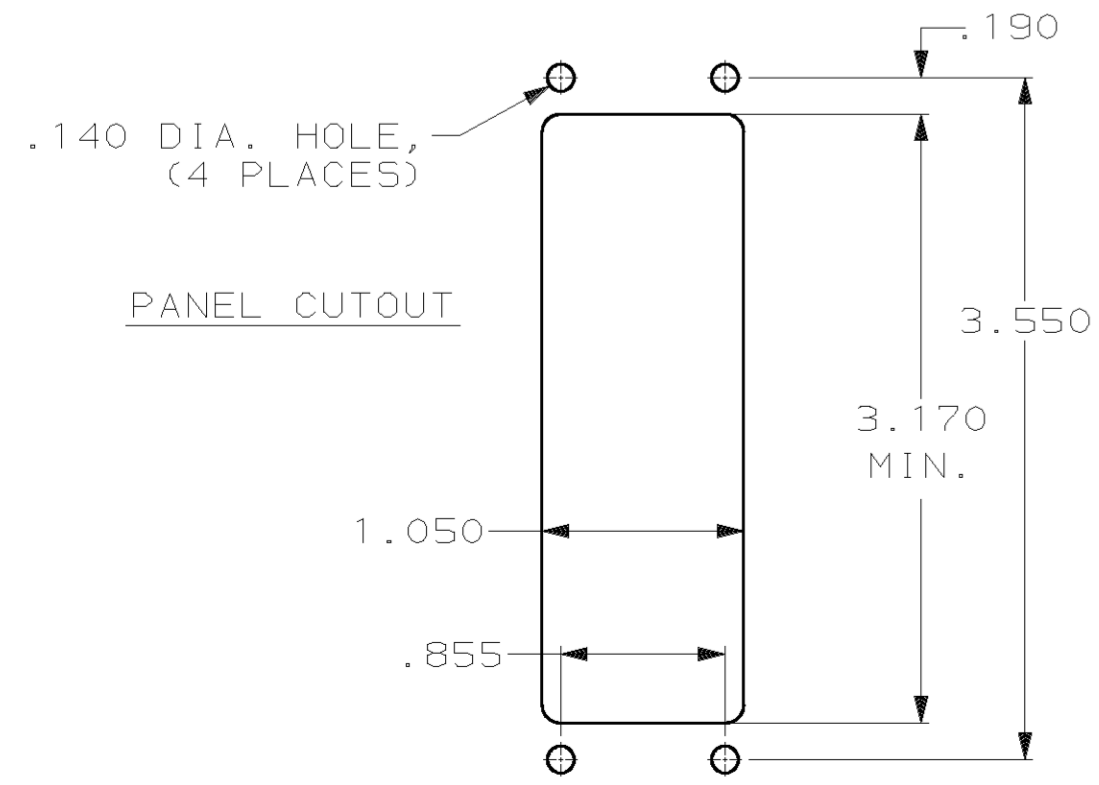
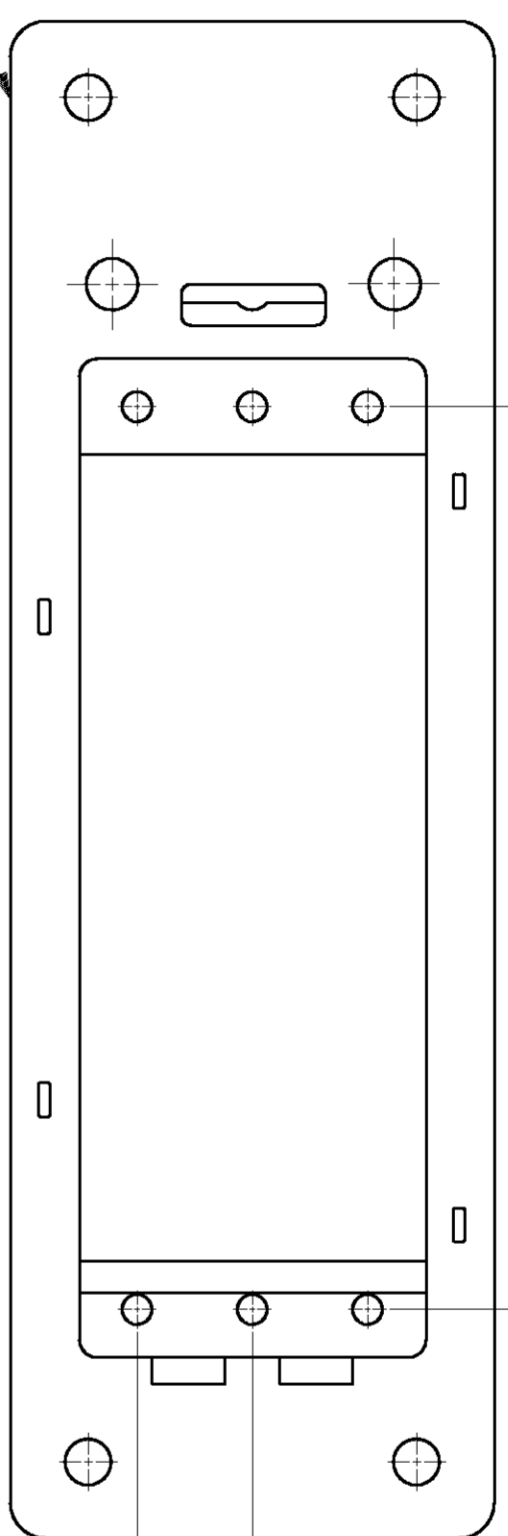


MTG. HOLES FOR #4 SCREWS

RECEPTACLE HOUSING,
 MAT'L: GLASS REINFORCED
 THERMOPLASTIC
 COLOR: BLACK



SECTION A-A



- PARTS PACKAGED UNASSEMBLED.
- RECPT. MODULE ASSY. SHOWN FOR REF. ONLY, MUST BE ORDERED SEPARATELY.
- AMP P/N & DATE CODE INK STAMPED ON KIT BAG.
- AMP PART NO., DATE CODE AND CUST. PART NO. INK STAMPED ON KIT BAG.

3		207356-2
4	218A4549P1	207356-1
IN K STAMPING	CUSTOMER P/N	PART NO

DO NOT SCALE PRINT. UNLESS SPECIFIED DIMENSIONS IN INCHES TOLERANCES ON : 2 PLC DEC ± - 3 PLC DEC ± .005 ANGLES ± -	DR 12-19-88 T. WIEST CHK 1-3-89 D. MUMMEY APPD 1-3-89 D. MUMMEY APPD 1-3-89 D. MUMMEY	AMP INCORPORATED Harrisburg, Pa. 17105	
MATERIAL	PRODUCT SPEC	NAME RECEPTACLE KIT, SIZE 1 (FOR WIRE WRAP)	
FINISH	APPLICATION SPEC	SIZE C	FSCM NO 00779
WEIGHT		SCALE 2:1	DRAWING NO 207356
			SHEET 1 OF 1