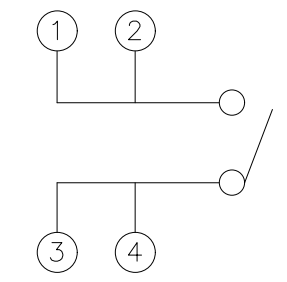
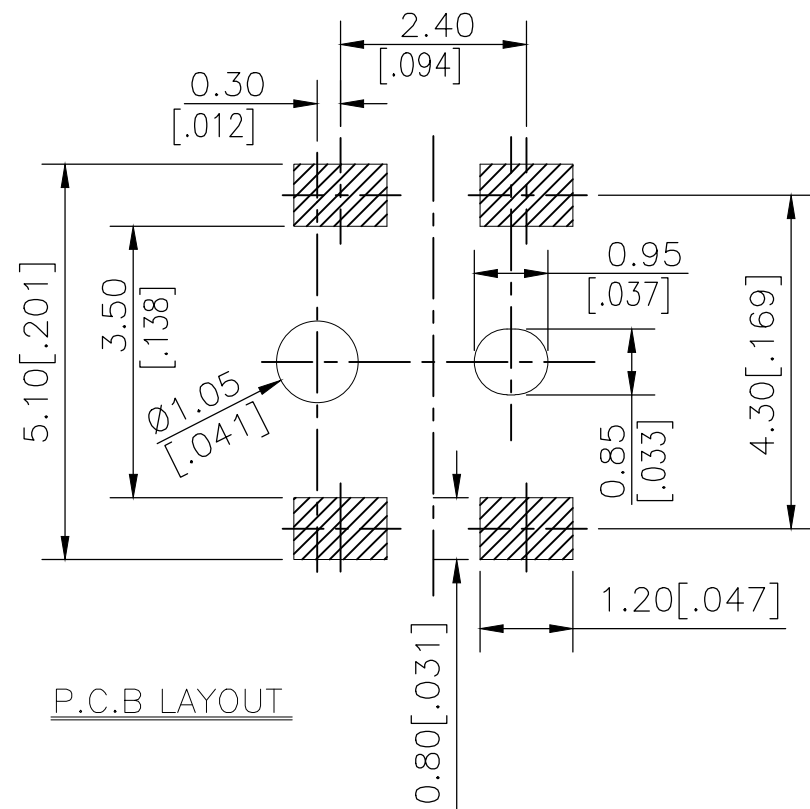
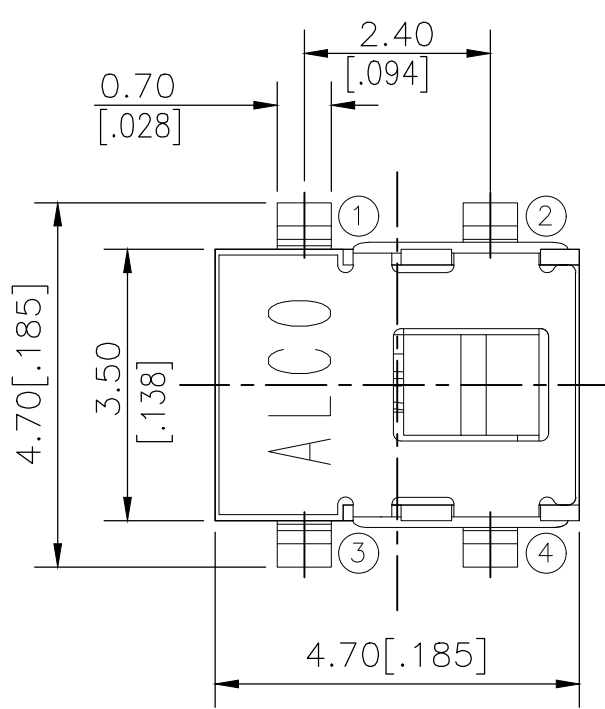


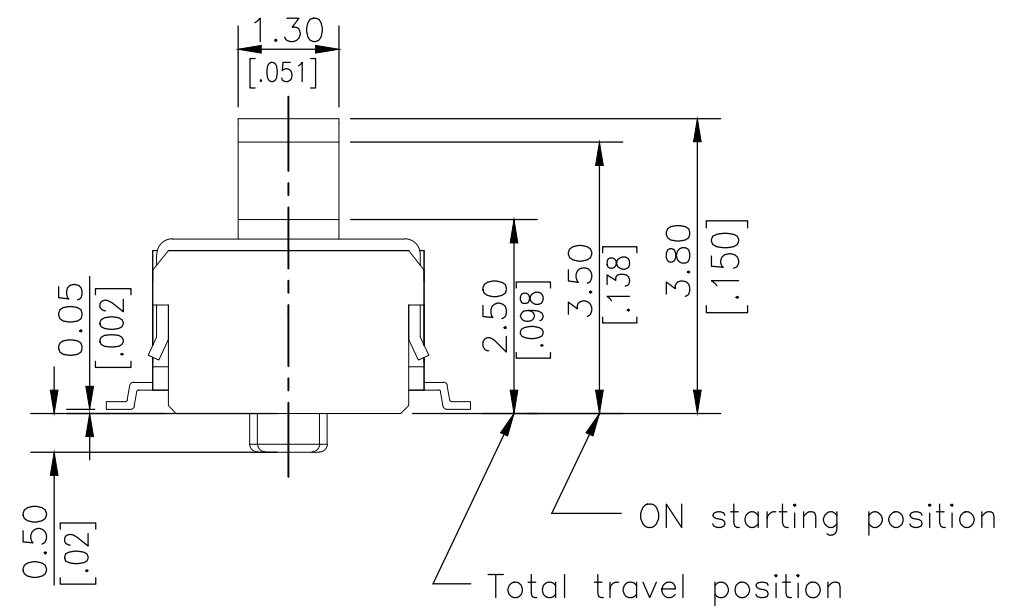
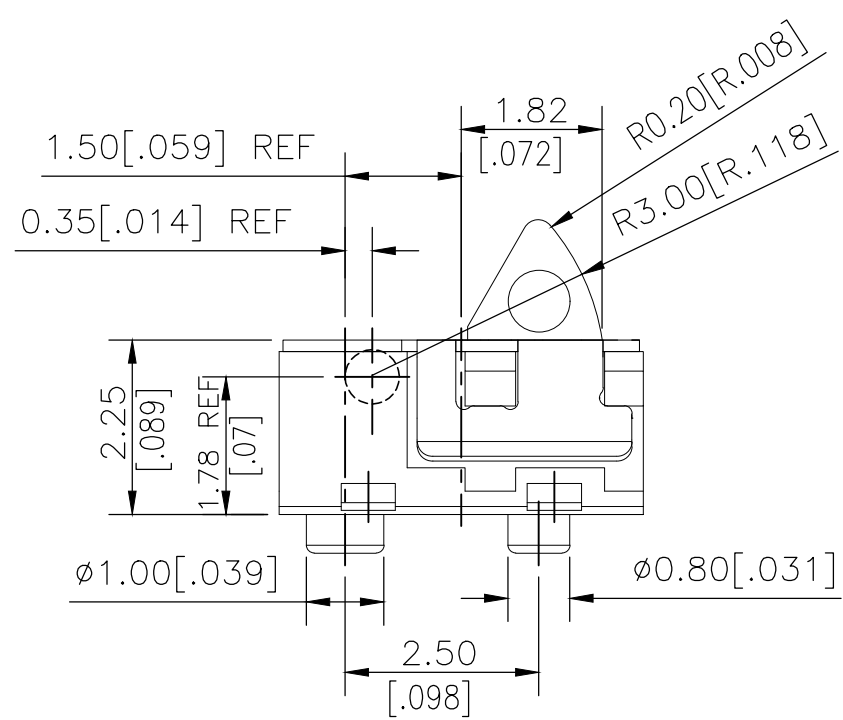
THIS DRAWING IS UNPUBLISHED. RELEASED FOR PUBLICATION  
 © COPYRIGHT - TE Connectivity Ltd. ALL RIGHTS RESERVED.


REVISIONS				
P	LTR	DESCRIPTION	DATE	APVD
	A	ECR-18-012767	14AUG2018	DHC AS

2331394-1  
AS SHOWN



CIRCUIT DIAGRAM



THIS DRAWING IS A CONTROLLED DOCUMENT.		DWN 07MAR2018 GANESH C M	 TE Connectivity Ltd.	
DIMENSIONS: mm [INCHES]		CHK 07MAR2018 ALEXANDER SHARPE		
TOLERANCES UNLESS OTHERWISE SPECIFIED:		APVD 07MAR2018 ALEXANDER SHARPE	SWITCH, DETECTOR, JJE SERIES, 4.7X3.5mm, VERTICAL, SMT, POSTS	
0 PLC ± - 1 PLC ± - 2 PLC ± 0.20 [.008] 3 PLC ± - 4 PLC ± - ANGLES ± -		PRODUCT SPEC	RESTRICTED TO	
MATERIAL		APPLICATION SPEC	SIZE	CAGE CODE
FINISH		WEIGHT	DRAWING NO	REV
		A3 00779 C-2331394		A
		CUSTOMER DRAWING		SCALE NTS SHEET 1 OF 3

THIS DRAWING IS UNPUBLISHED.

RELEASED FOR PUBLICATION

REVISIONS

© COPYRIGHT - TE Connectivity Ltd.

ALL RIGHTS RESERVED.

P	LTR	DESCRIPTION	DATE	DWN	APVD
-	-	SEE SHEET 1	-	-	-

NOTES:

1. MATERIALS

ACTUATOR: THERMOPLASTIC, BLACK  
 BODY: THERMOPLASTIC, BLACK  
 COVER: STAINLESS STEEL  
 TERMINAL: COPPER ALLOY, SILVER PLATE  
 CONTACT: STAINLESS STEEL, SILVER PLATE

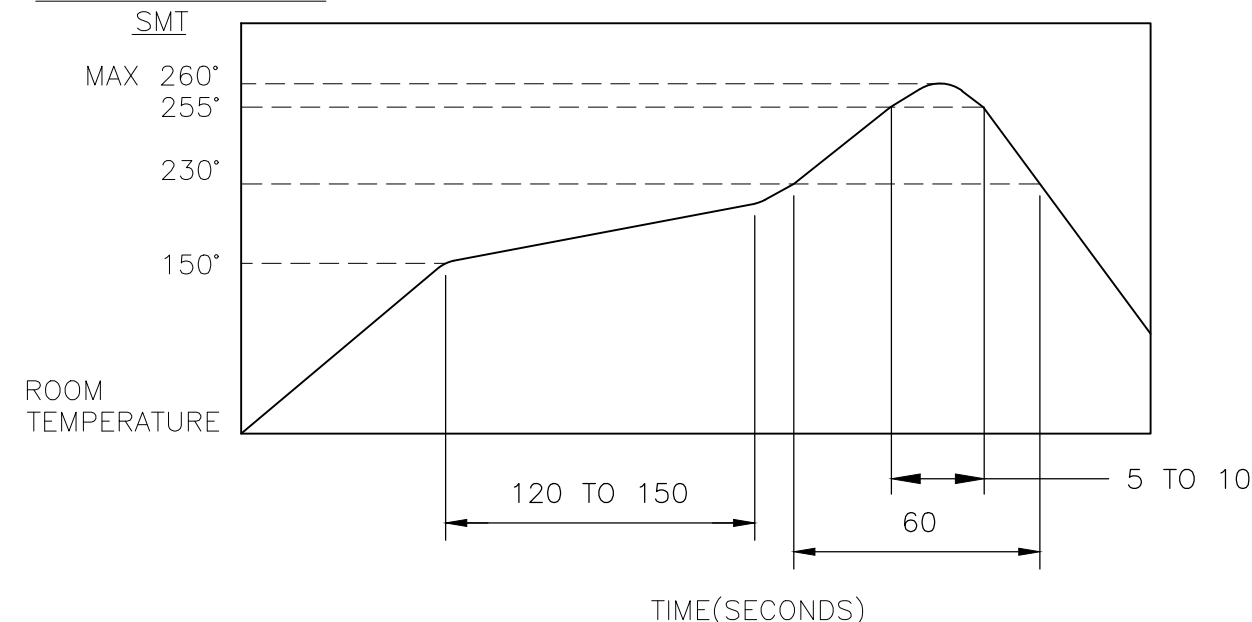
2. COMPLIANCE:

ALL MATERIALS AND FINISHES SHALL COMPLY WITH EU  
 DIRECTIVE 2002/95/EC OF 27JAN2003(RoHS)

3. SPECIFICATIONS:

RATING: 10mA 5V DC  
 CONTACT RESISTANCE: 1Ω MAXIMUM(INITIAL)  
 INSULATION RESISTANCE: 100MΩ MINIMUM AT 100V DC  
 DIELECTRIC STRENGTH: 100V AC, 1 MINUTE  
 OPERATING LIFE: 100,000 CYCLES WITH LOAD  
 TOTAL TRAVEL: 1.30 [.051]  
 ACTUATION FORCE: 36gf MAXIMUM  
 OPERATING TEMPERATURE: -40°C TO 85° C  
 STORAGE TEMPERATURE: -40°C TO 85° C

4. SOLDER CONDITIONS:



THE CONDITION MENTIONED ABOVE IS THE TEMPERATURE ON THE CU FOIL OF THE PCB SURFACE. THERE ARE CASES WHERE THE BOARD'S TEMPERATURE GREATLY DIFFERS FROM THE SWITCH'S SURFACE. DO NOT ALLOW SWITCH'S SURFACE TEMPERATURE TO EXCEED 260°C

MANUAL SOLDERING

SOLDERING TEMPERATURE	MAX.350°C.
CONTINUOUS SOLDERING TIME	MAX. 5 SECONDS.

PRECAUTIONS IN HANDLING

1. CARE SHOULD BE EXERCISED SO THAT FLUX FROM THE UPPER PART OF THE PRINTED CIRCUIT BOARD DOES NOT ADHERE TO THE SWITCH.

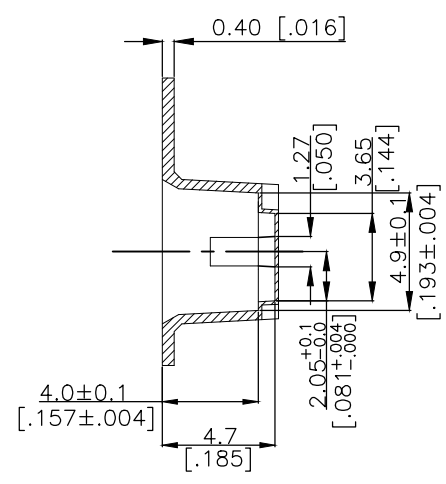
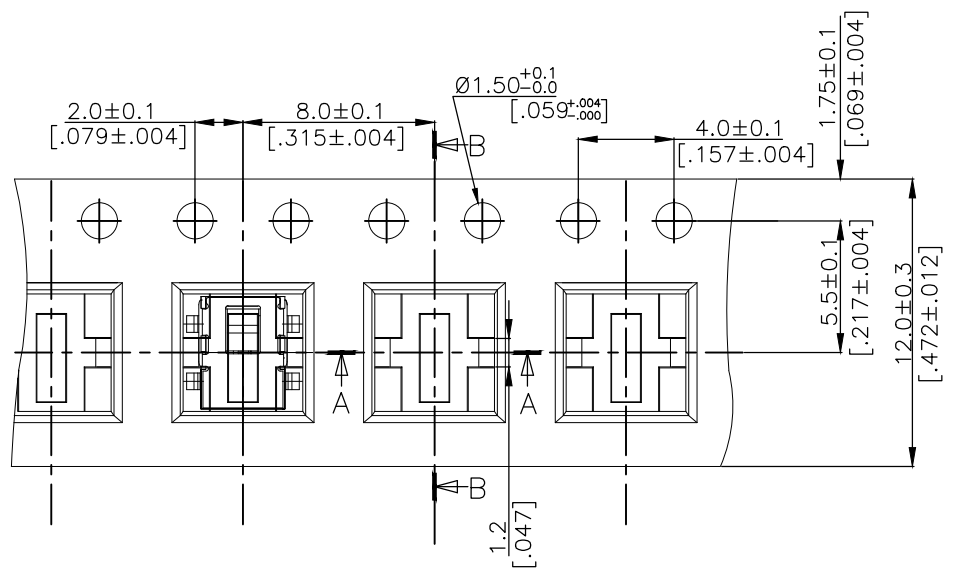
JJEVOUG380NOHPMRTR	2331394-1
SMART PART NUMBER	PART NUMBER

THIS DRAWING IS A CONTROLLED DOCUMENT.		DWN GANESH C M 07MAR2018	TE Connectivity Ltd.		
DIMENSIONS: mm [INCHES]		CHK ALEXANDER SHARPE 07MAR2018			
		APVD ALEXANDER SHARPE 07MAR2018	NAME SWITCH, DETECTOR, JJE SERIES, 4.7X3.5mm, VERTICAL, SMT, POSTS		
TOLERANCES UNLESS OTHERWISE SPECIFIED:		PRODUCT SPEC	RESTRICTED TO		
0 PLC ± -		APPLICATION SPEC	SIZE	CAGE CODE	DRAWING NO
1 PLC ± -		WEIGHT	A3	00779	C-2331394
2 PLC ± 0.20 [.008]		CUSTOMER DRAWING			
3 PLC ± -		SCALE	NTS	SHEET	2 of 3
4 PLC ± -		REV A			
ANGLES ± -					
MATERIAL					
FINISH					

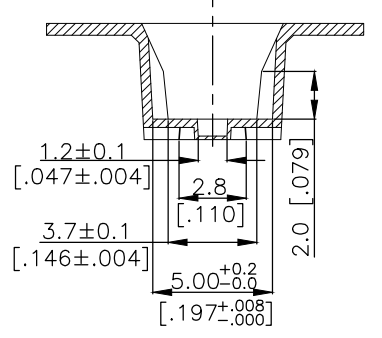
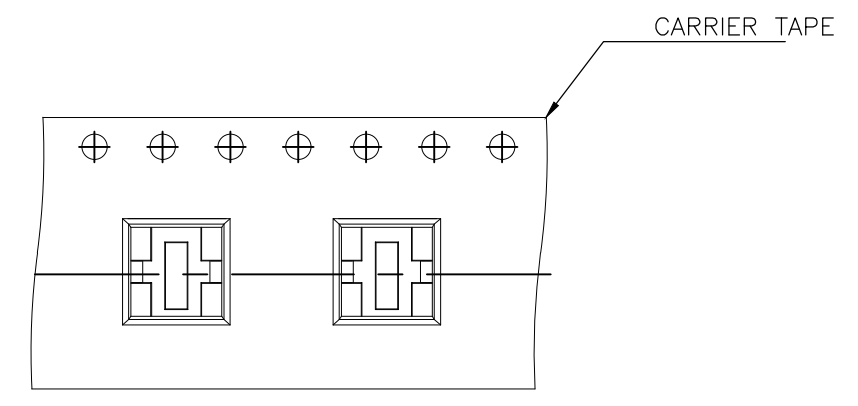
THIS DRAWING IS UNPUBLISHED. RELEASED FOR PUBLICATION  
 © COPYRIGHT - TE Connectivity Ltd. ALL RIGHTS RESERVED.

REVISIONS					
P	LTR	DESCRIPTION	DATE	DWN	APVD
-	-	SEE SHEET 1	-	-	-

PACKAGING:  
 1800 SWITCHES PER REEL  
 THE DIMENSION OF CARRIER TAPE, COVER TAPE AND REEL

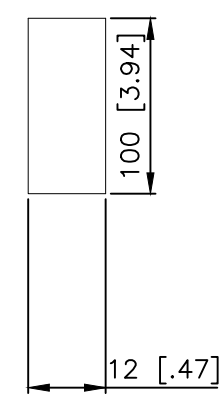
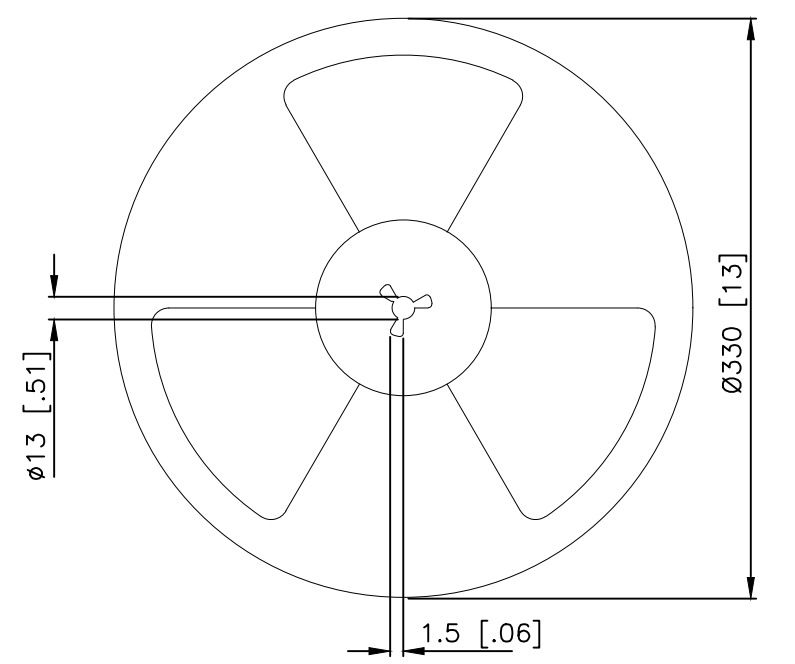
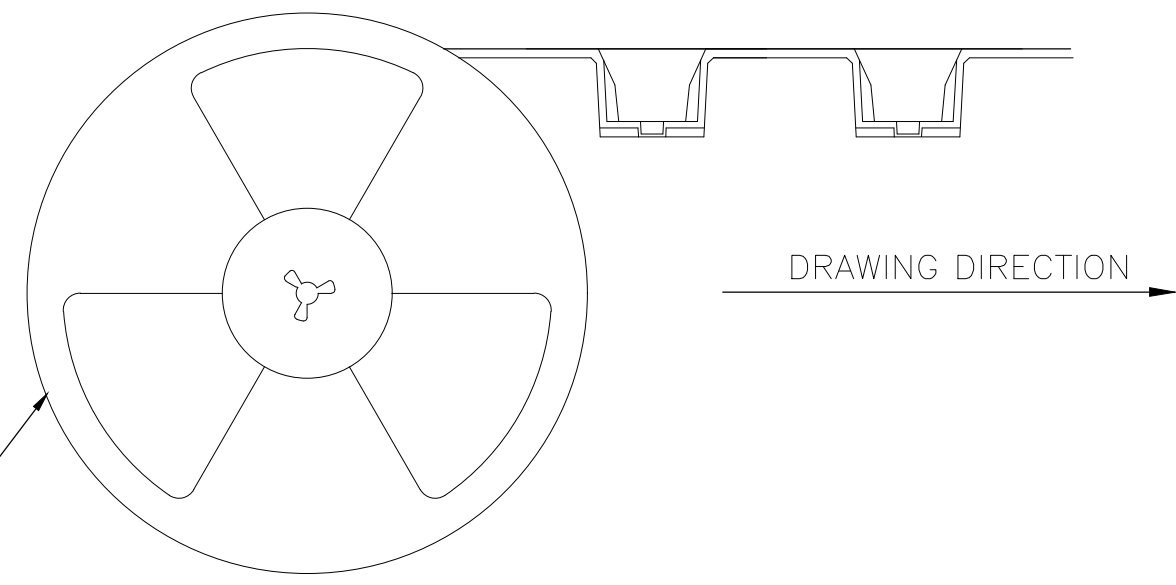


THE DIRECTION OF PILOT HOLES



SECTION B-B

SECTION A-A



THIS DRAWING IS A CONTROLLED DOCUMENT.		DWN GANESH C M 07MAR2018	TE Connectivity Ltd.		
DIMENSIONS: mm [INCHES]		CHK ALEXANDER SHARPE 07MAR2018			
TOLERANCES UNLESS OTHERWISE SPECIFIED:		APVD ALEXANDER SHARPE 07MAR2018	PRODUCT SPEC		
0 PLC ± -		APPLICATION SPEC			
1 PLC ± -		WEIGHT			
2 PLC ± 0.20 [.008]		SIZE A3 CAGE CODE 00779 DRAWING NO C-2331394 RESTRICTED TO -			
3 PLC ± -		SCALE NTS SHEET 3 OF 3 REV A			
4 PLC ± -					
ANGLES ± -					
MATERIAL -		CUSTOMER DRAWING			
FINISH -					