

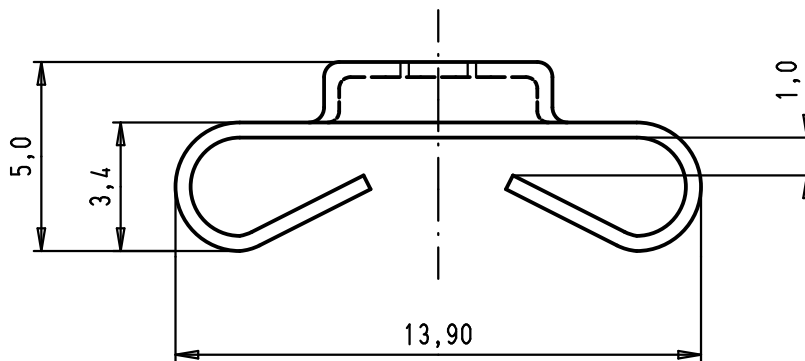
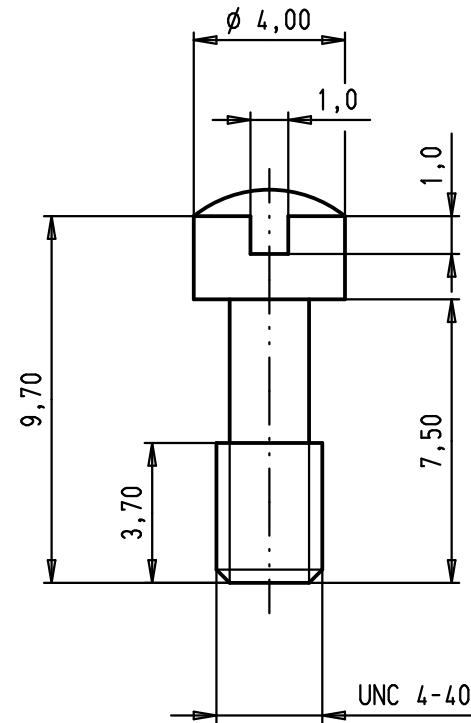
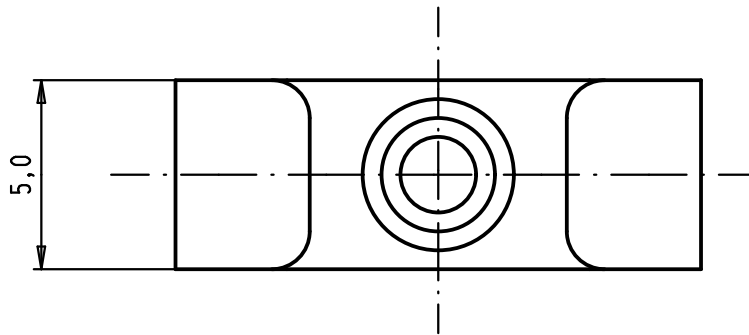
5

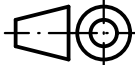

4

3

2

1



Mod.	Dot.	Name			 All Dim. in mm Orig. Size DIN A 4	Screw-lock, male, for 9, 15, 25 and 37 poles, nickel plated steel	Maßstab/ Scale 5:1
33943	15/02/07	PK	Detail.	13/07/95			
29768	09/04/02	CV	Insp.				
23231	06/08/98	PP	Stand.				
16443	26/07/95	ST	HARTING F-95972 Paris			TB 09 67 001 9969	Blatt/ Page 1 / 1
16441	13/07/95	MF					
						Sub.	

D

C

B

A