

4

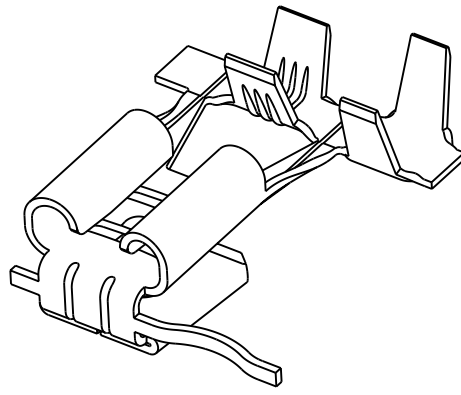
3

2

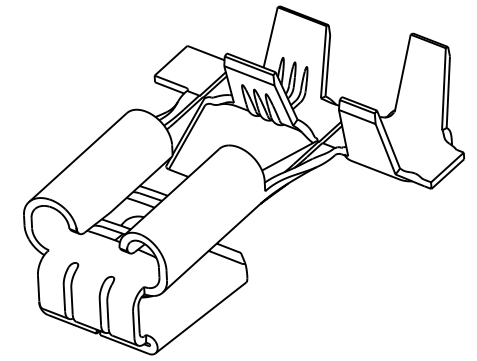
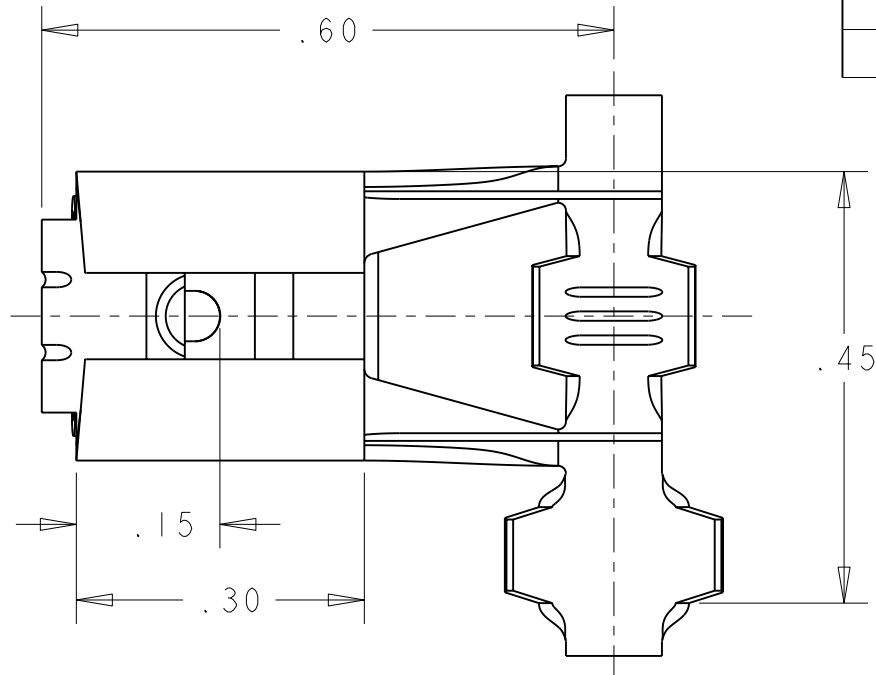
1

THIS DRAWING IS UNPUBLISHED. RELEASED FOR PUBLICATION 20
 © COPYRIGHT 20 ALL RIGHTS RESERVED.

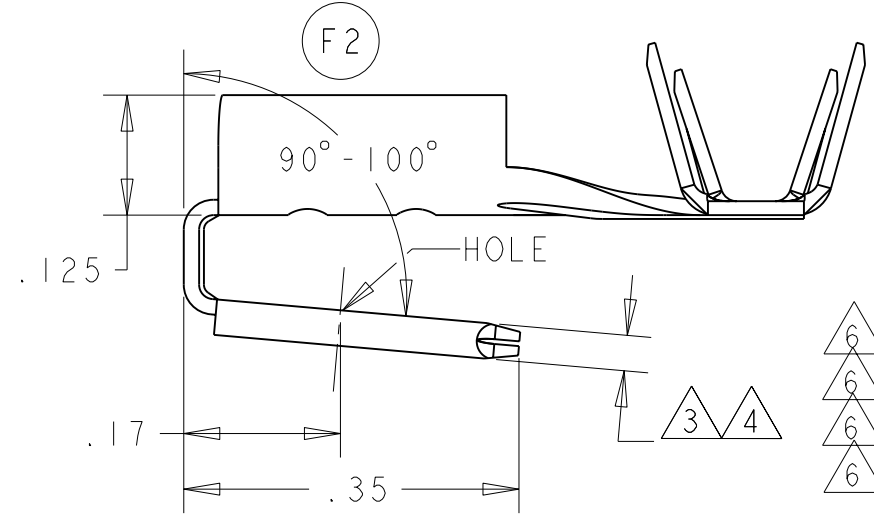
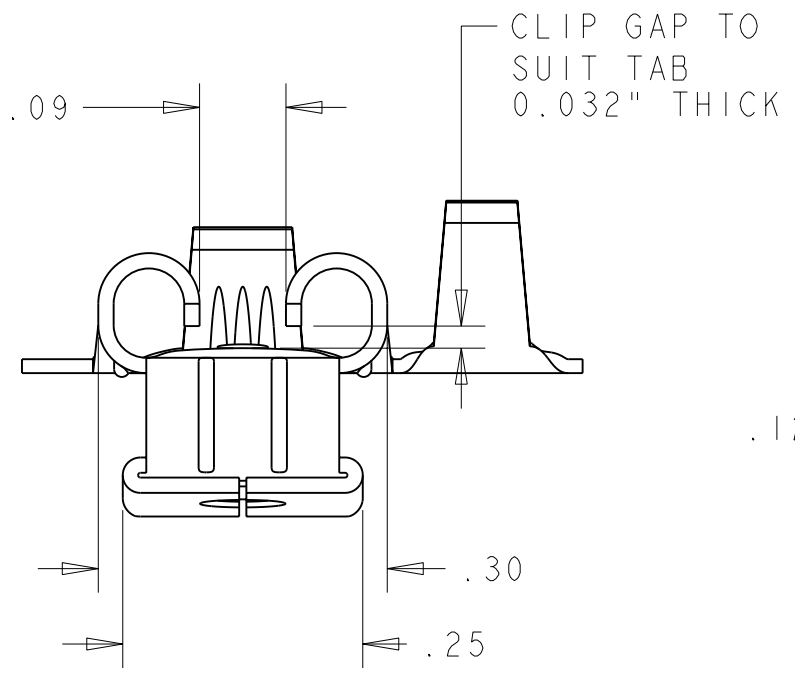
| LOC | DIST | REVISIONS | | | | | |
|-----|------|-----------|-----|---------------------------|-----------|-----|------|
| | | P | LTR | DESCRIPTION | DATE | DWN | APVD |
| IR | B | | F | ECR-06-000712 | 11/01/06 | MJG | JA |
| | | | F1 | ECR-10-022530 | 02FEB11 | KK | HMR |
| | | | F2 | TAB BENT ANGLE DIM. ADDED | 27JUL2011 | PKS | RRP |



1 PRODUCT MANUFACTURED WITH REAR CARRIER STRIP



2 PRODUCT MANUFACTURED WITHOUT REAR CARRIER STRIP



| | | | | |
|---|-----|---------|-------------|----------|
| 6 | 4 | 2 | ELECTRO-TIN | +51321-8 |
| 6 | 4 | 2 | UNPLATED | +51321-7 |
| 6 | 4 | 1 | ELECTRO-TIN | +51321-6 |
| 6 | 4 | 1 | UNPLATED | +51321-5 |
| | 3 | 2 | ELECTRO-TIN | 151321-4 |
| | 3 | 2 | UNPLATED | 151321-3 |
| | 3 | 1 | ELECTRO-TIN | 151321-2 |
| | 3 | 1 | UNPLATED | 151321-1 |
| | TAB | CARRIER | FINISH | PART NO |

NOTES:

- 1 PRODUCT MANUFACTURED WITH REAR CARRIER STRIP
- 2 PRODUCT MANUFACTURED WITHOUT REAR CARRIER STRIP
- 3 STANDARD TAB
- 4 LOW INSERTION TAB
- 5. TERMINAL DESIGNED FOR WIRE RANGE 18-14 AWG WITH INSULATION RANGE 0.120" TO 0.0170"
- 6 OBSOLETE

| | | | | |
|---|--|--------------------------|---|--|
| THIS DRAWING IS A CONTROLLED DOCUMENT. | | DWN A. J. BEKEN 13/09/00 | TE Connectivity | |
| DIMENSIONS: INCHES | | CHK R. GOODALL 13/09/00 | | |
| TOLERANCES UNLESS OTHERWISE SPECIFIED: | | APVD F. W-K 13/09/00 | NAME FLAG FASTON, PIGGY BACK .250 SERIES | |
| 0 PLC ±.02 1 PLC ±.02 2 PLC ±.02 3 PLC ±.02 4 PLC ±.02 ANGLES ±1 | | PRODUCT SPEC - | SIZE A3 CAGE CODE 00779 DRAWING NO C-151321 RESTRICTED TO - | |
| MATERIAL BRASS | | APPLICATION SPEC - | SCALE 5:1 SHEET 1 OF 1 REV F2 | |
| FINISH SEE TABLE | | WEIGHT - | CUSTOMER DRAWING | |