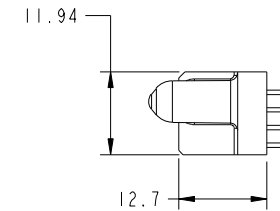
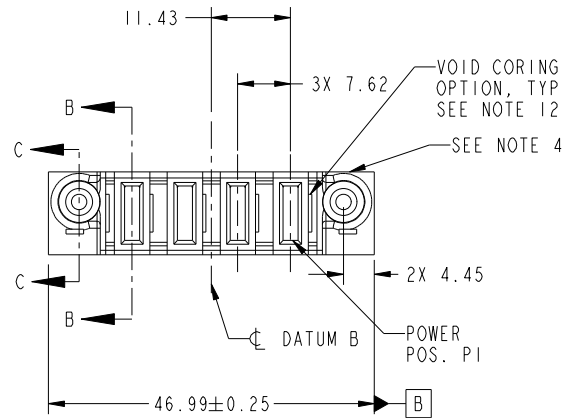


Tous droits strictement reserves. Reproduction ou communication a des tiers interdite sous quelque forme que ce soit sans autorisation écrite du propriétaire. Propriete de c FCI. Droits de reproduction FCI.



All rights strictly reserved. Reproduction or issue to third parties in any form whatever is not permitted without written authority from the proprietor. Property of FCI. Copyright FCI.

PRODUCT NO.	POWER					E1
	E2	P4	P3	P2	P1	
51940-264- NOTE: 3						



CODE	DIM "M" MATING LENGTH	CONTACT TYPE
PA	[1.07]	POWER

mat'l code		SEE NOTES		tolerances unless otherwise specified		CUSTOMER		 www.fciconnect.com	
ltr	ecn no.	dr	date	linear	0.X ± 0.5	COPY		title	
A	DG08-0259	SH	09/17/08	angles	0.XX ± 0.25	projection		4ACP VERTICAL SOLDER RECEPT	
				dr	0.XXX ± 0.1			product family	
				enr	0° ± 2°			PwrBlade	
				chr	Sincere He 09/17/08	scale		code	
				appd	Sincere He 09/17/08	1:1		213	
					Gary Hsieh 09/17/08			size	
					Joseph Hsia 09/17/08			dwg no	
sheet index	revision sheet	A	A	A	A			A	
		1	2	3	4			51940-264	
								sheet 1 of 4	
								cage code	
								22526	

Pro/E

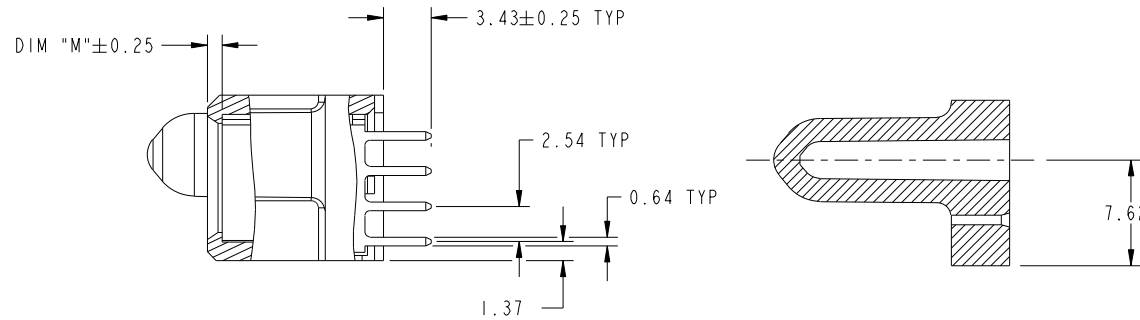
cage code 22526

Tous droits strictement reserves. Reproduction ou communication a des tiers interdite sous quelque forme que ce soit sans autorisation écrite du propriétaire. Propriete de c FCI. Droits de reproduction FCI.



All rights strictly reserved. Reproduction or issue to third parties in any form whatever is not permitted without written authority from the proprietor. Property of FCI. Copyright FCI.

PRODUCT NUMBER
51940-264--
NOTE: 3



mat'l code				tolerances unless otherwise specified			CUSTOMER		FCI	
ltr	ecr no.	dr	date	linear	0.X ± 0.5	COPY		www.fciconnect.com		
A					0.XX ± 0.25	projection		title		
				angles	0.XXX ± 0.1			4ACP VERTICAL SOLDER RECEPT		
				dr	Sincere He 09/17/08			product family		code
				enr	Sincere He 09/17/08	scale		PwrBlade		213
				chr	Gary Hsieh 09/17/08	1:1		size		sheet
				appd	Joseph Hsia 09/17/08			A		2 of 4
sheet index		revision sheet								

cage code 22526

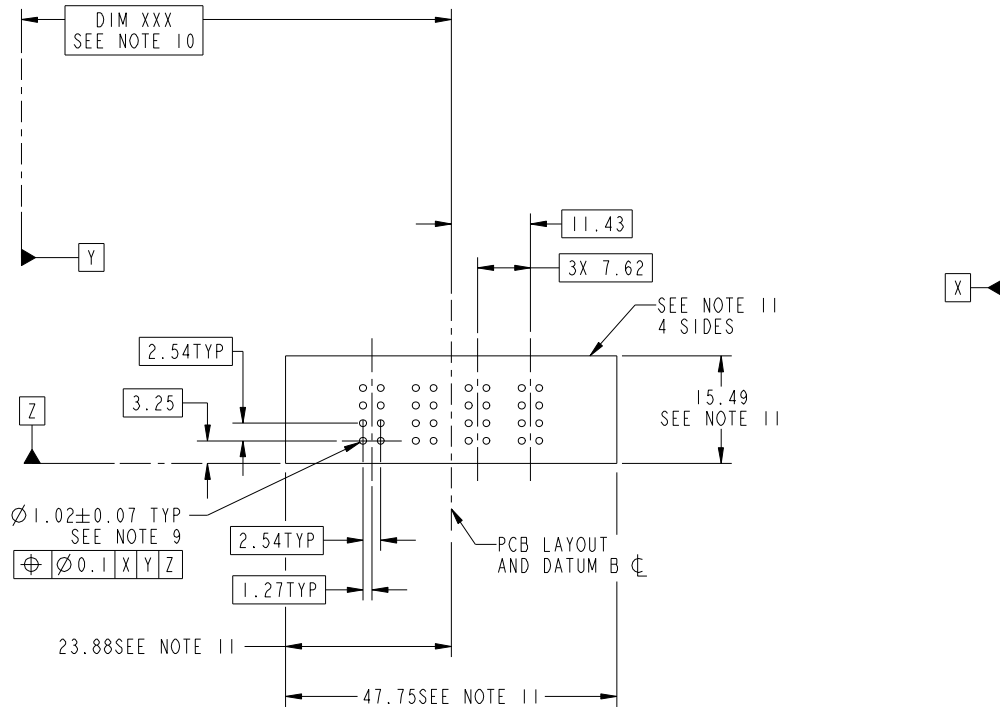
Pro/E

Tous droits strictement reserves. Reproduction ou communication a des tiers interdite sous quelque forme que ce soit sans autorisation écrite du propriétaire. Propriete de c FCI. Droits de reproduction FCI.



All rights strictly reserved. Reproduction or issue to third parties in any form whatever is not permitted without written authority from the proprietor. Property of FCI. Copyright FCI.

PRODUCT NUMBER
51940-264--
NOTE: 3



RECOMMENDED PCB LAYOUT

mat'l code				tolerances unless otherwise specified			CUSTOMER		FCI	
ltr	ecn no.	dr	date	linear	0.X ± 0.5	COPY		www.fciconnect.com		
A				linear	0.XX ± 0.25	projection		title		
				angles	0.XXX ± 0.1			4ACP VERTICAL SOLDER RECEPT		
				dr	0° ± 2°			product family		code
				enr	Sincere He 09/17/08	scale		PwrBlade		213
				chr	Sincere He 09/17/08	1:1		size		sheet
				appd	Gary Hsieh 09/17/08			dwg no		3 of 4
					Joseph Hsia 09/17/08			51940-264		
sheet index	revision sheet							A		

cage code 22526

Pro/E

Tous droits strictement reserves. Reproduction ou communication a des tiers interdite sous quelque forme que ce soit sans autorisation écrite du propriétaire. Propriete de c FCI. Droits de reproduction FCI.



All rights strictly reserved. Reproduction or issue to third parties in any form whatever is not permitted without written authority from the proprietor. Property of FCI. Copyright FCI.

PRODUCT NUMBER
51940-264--
NOTE: 3

NOTES:

1. DIMENSIONS AND TOLERANCES ARE IN ACCORDANCE WITH ASME Y14.5M, 1994 UNLESS OTHERWISE SPECIFIED.

CONNECTOR NOTES:

- 2 HOUSING MATERIAL: UL 94 V-0 GLASS FILLED HIGH-TEMP THERMOPLASTIC
POWER CONTACT MATERIAL: COPPER ALLOY
SIGNAL PIN MATERIAL: COPPER ALLOY
- 3. PLATING SPEC.
SEE ITEM 5 & 6 IN PRINT 10064183 FOR PLATING SPEC OF 51940-264 AND 51940-264LF RESPECTIVELY

4 MANUFACTURER'S NAME, P/N, AND DATE CODE TO APPEAR ON THIS SURFACE.

5. PRODUCT SPECIFICATION GS-12-149.
APPLICATION SPECIFICATION BUS-20-067.

6. PACKAGED IN TRAYS.

PCB NOTES:

7. ALL HOLE DIAMETERS ARE FINISHED HOLE SIZE.

8 MOUNTING HOLES, WHERE APPLICABLE, ARE UNPLATED.

9 $\varnothing 1.151 \pm 0.025$ DRILLED HOLES PLATED WITH
0.008 MIN SnPb OR Sn OVER 0.03
TO 0.08 Cu PLATING TO ACHIEVE
 $\varnothing 1.02 \pm 0.07$ HOLE.

10 "DIM XXX" TO BE DETERMINED BY THE CUSTOMER.

11 CONNECTOR KEEP-OUT ZONE.

12. THE VOID CORING IN BETWEEN POWER MODULES, SIGNAL MODULES AND END MODULES ARE OPTIONAL AND THE SHAPE MAY BE DIFFERENT FOR OPTIMIZE THE MOLDING PROCESS. THE VOID CORING WILL NOT EFFECT TO PRODUCT FUNCTION.

mat'l code				tolerances unless otherwise specified			CUSTOMER		FCI	
ltr	ecn no.	dr	date	linear	0.X ± 0.5	COPY		www.fciconnect.com		
A				projection	0.XX ± 0.25	title		4ACP		
				angles	0.XXX ± 0.1	VERTICAL SOLDER RECEPT				
				dr	0° ± 2°	product family		PwrBlade	code	
				enr	Sincere He 09/17/08	size		dwg no	213	
				chr	Sincere He 09/17/08	scale		51940-264	sheet	
				appd	Gary Hsieh 09/17/08	1:1		4 of 4		
					Joseph Hsia 09/17/08	A				
sheet index	revision sheet									

cage code 22526

Pro/E