

4

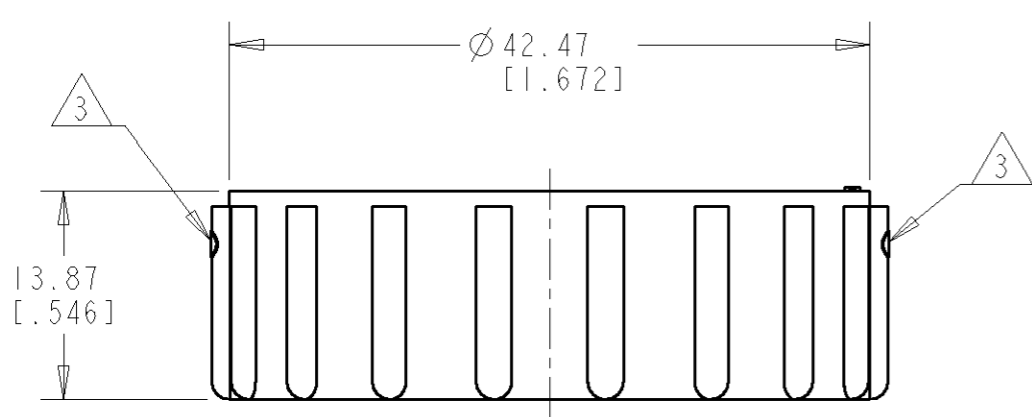
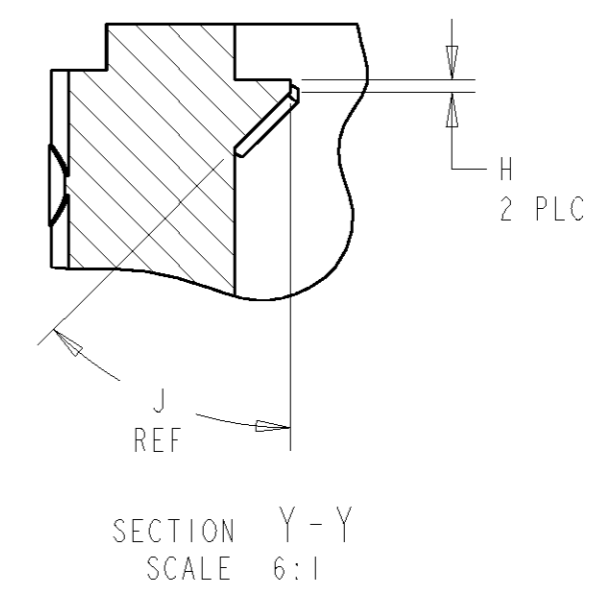
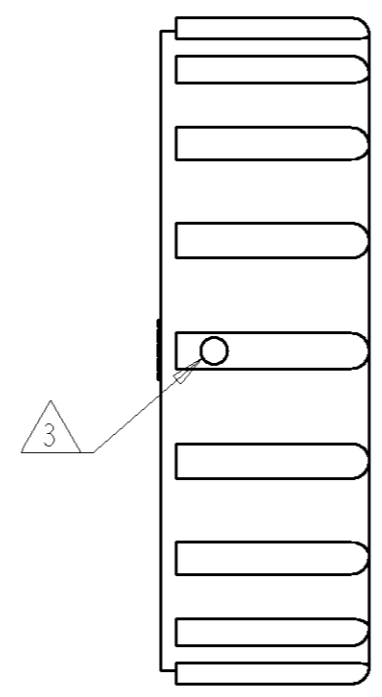
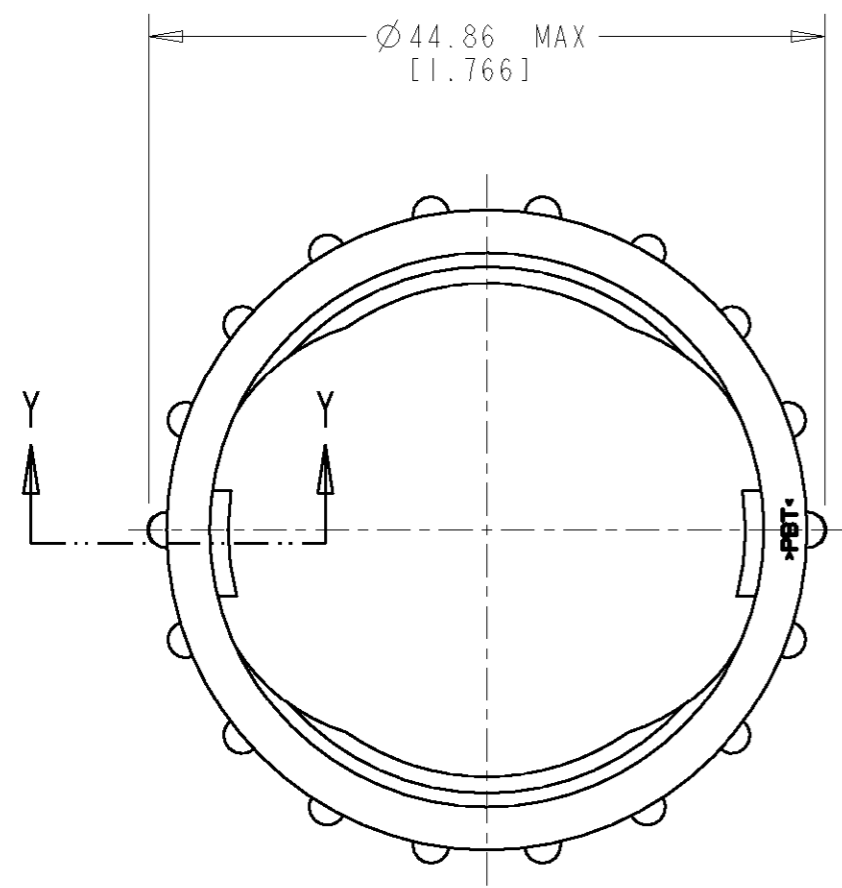
3

2

1

THIS DRAWING IS UNPUBLISHED. RELEASED FOR PUBLICATION
 © COPYRIGHT 19 BY TYCO ELECTRONICS CORPORATION. ALL RIGHTS RESERVED.

LOC	DIST	REVISIONS			
P	LTR	DESCRIPTION	DATE	DWN	APVD
FT	0				
	B	REVISED PER EC 0G3B-0034-99	11OCT99	SW	MC
	C	REVISED EC 0G3B-0343-00	28JUL2000	SW	MC
	D	REVISED EC 0G3B-0124-02	08AUG2003	SW	SH
	E	REVISED EC 0G3B-0025-05	13JAN2005	SW	HW



PRELIMINARY	45°	0.28[.011]	1	213812-3
	-	-	2	213812-2
	-	-	1	213812-1
J	H	MATERIAL	PART NUMBER	

- 1 POLYESTER, BLACK.
- 2 NYLON 6/6, NATURAL.
- 3 ALIGNMENT DOT INK STAMPED ON BOTH SIDES IN APPROXIMATE AREA SHOWN.

<small>THIS DRAWING IS A CONTROLLED DOCUMENT FOR TYCO ELECTRONICS CORPORATION. IT IS SUBJECT TO CHANGE AND THE CONTROLLING ENGINEERING ORGANIZATION SHOULD BE CONTACTED FOR THE LATEST REVISION.</small>		DWN C. DORWART 22OCT98 CHR K. DOWHOWER 22OCT98 APVD K. DOWHOWER 22OCT98	AMP AMP Incorporated Harrisburg, PA 17105-3608
DIMENSIONS: mm [INCHES]	TOLERANCES UNLESS OTHERWISE SPECIFIED: 0 PLC ±- 1 PLC ±- 2 PLC ±0.25[.010] 3 PLC ±- 4 PLC ±- ANGLES ±-	PRODUCT SPEC - APPLICATION SPEC - WEIGHT -	NAME COUPLING RING, SIZE 23, CPC SIZE A3 CAGE CODE 00779 DRAWING NO C-213812 RESTRICTED TO -
MATERIAL - SEE TABLE	FINISH -	CUSTOMER DRAWING	SCALE 2:1 SHEET 1 OF 1 REV E