

REV. NO.	031-8252		
REV.	DATE	REVISIONS	
A	27635	8/2/12	REVISED & UPDATED

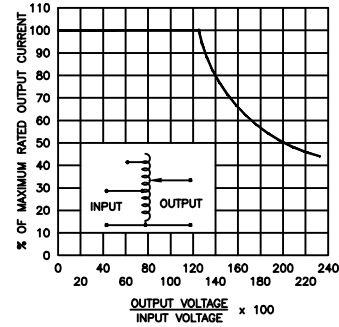
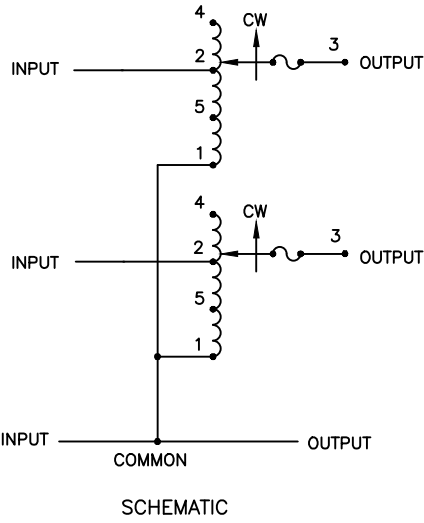
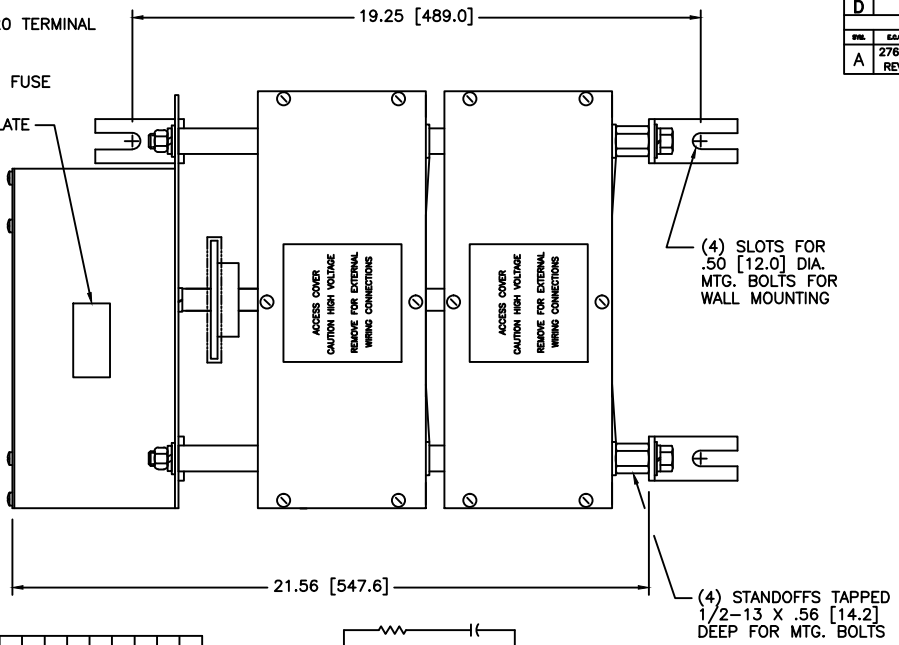
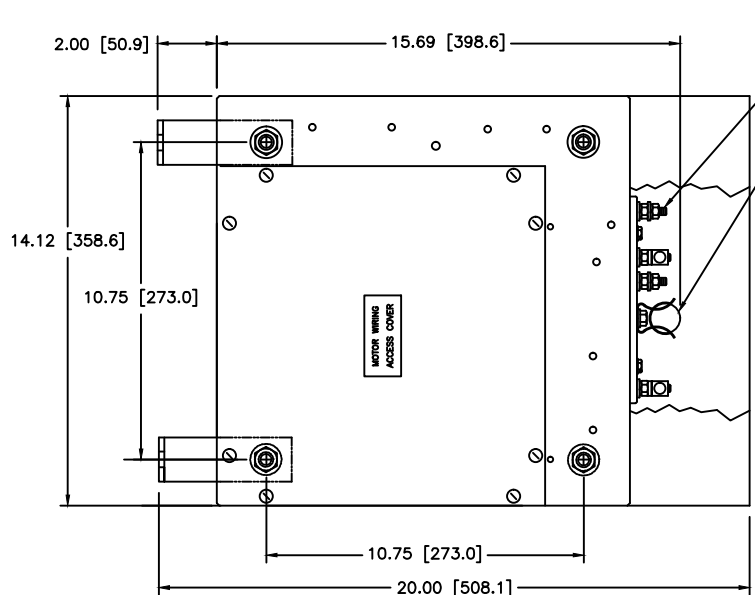
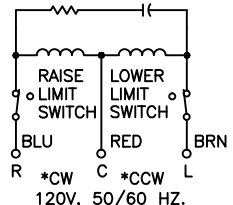


FIGURE A
MAXIMUM OUTPUT CURRENT OF ANY DUAL INPUT VOLTAGE OR VOLTAGE DOUBLER UNIT OPERATED AT LOWER INPUT VOLTAGE.

MAXIMUM OUTPUT CURRENT IN OUTPUT VOLTAGE RANGE FROM 0 TO 25 PERCENT ABOVE LINE VOLTAGE. AT HIGHER OUTPUT VOLTAGES, OUTPUT CURRENT MUST BE REDUCED ACCORDING TO RATING CURVE (SEE FIGURE A).

++ MAXIMUM KVA AT MAXIMUM OUTPUT AND CORRESPONDING DE-RATED CURRENT. MAXIMUM KVA AT LOWER OUTPUT VOLTAGES MAY BE CALCULATED FROM RATING CURVE, (SEE FIGURE A).

V.D. = VOLTAGE DOUBLER.



*CW *CCW
120V, 50/60 HZ.
* ROTATION AS VIEWED FROM MOTOR END
SPEED: SEE CHART
MOTOR CIRCUIT

SPEED (SECONDS)	TYPE NO.
5	5M5021CT-2D
15	15M5021CT-2D
30	30M5021CT-2D
60	60M5021CT-2D

WIRING	INPUT		OUTPUT			SHAFT ROTATION FOR INCREASE VOLTAGE	TERMINAL CONNECTIONS FOR INCREASING VOLTAGE AS VIEWED FROM ROTOR END		
	VOLTS	HERTZ	VOLTS	MAX. AMPS	MAX. KVA		INPUT	JUMPER	OUTPUT
THREE PHASE OPEN DELTA	240	50/60	0-240	28	11.6	CW	4-1-4		3-1-3
		0-280	28	13.6	CW	2-1-2		3-1-3	
	120	50/60	0-280	28* - 12 V.D.	5.8 †	CW	5-1-5		3-1-3

<small>UNLESS OTHERWISE SPECIFIED, VOLTAGE IS A LINE VOLTAGE - 480V, 208V, 240V, 277V, 480V, 600V, 720V, 800V, 1000V, 1500V, 2000V, 2500V, 3000V, 3500V, 4000V, 4500V, 5000V, 6000V, 7000V, 8000V, 9000V, 10000V, 15000V, 20000V, 25000V, 30000V, 35000V, 40000V, 45000V, 50000V, 60000V, 70000V, 80000V, 90000V, 100000V.</small>	<small>SEE ALL DIMENSIONS UNLESS OTHERWISE SPECIFIED.</small>	<small>SEE ALL DIMENSIONS UNLESS OTHERWISE SPECIFIED.</small>	<small>SEE ALL DIMENSIONS UNLESS OTHERWISE SPECIFIED.</small>
--	---	---	---

<small>THE INFORMATION AND DESIGNATION HEREIN ARE OFFERED BY STACO ENERGY PRODUCTS CO. WITHOUT WARRANTY OF ANY KIND, EXPRESS OR IMPLIED, INCLUDING BUT NOT LIMITED TO THE WARRANTIES OF MERCHANTABILITY, FITNESS FOR A PARTICULAR PURPOSE AND NONINFRINGEMENT. THE USER SHALL BE RESPONSIBLE FOR OBTAINING ALL NECESSARY PERMITS AND APPROVALS FROM THE APPROPRIATE AUTHORITIES.</small>	<small>DESIGN BY T.SMAY DATE 2/13/12</small>	<small>PRICE LIST OR QUOTE NO. 83008</small>	<small>REV. NO. D 031-8252</small>
<small>DESIGN BY F.SEALE DATE 7/15/12</small>	<small>PRICE APPROVAL DATE 7/15/12</small>	<small>QUOTE CODE 83008</small>	<small>REV. NO. D 031-8252</small>
<small>DESIGN BY F.SEALE DATE 7/15/12</small>	<small>SCALE .5=1</small>	<small>SHEET 1 OF 1</small>	<small>REV. NO. D 031-8252</small>

