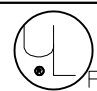
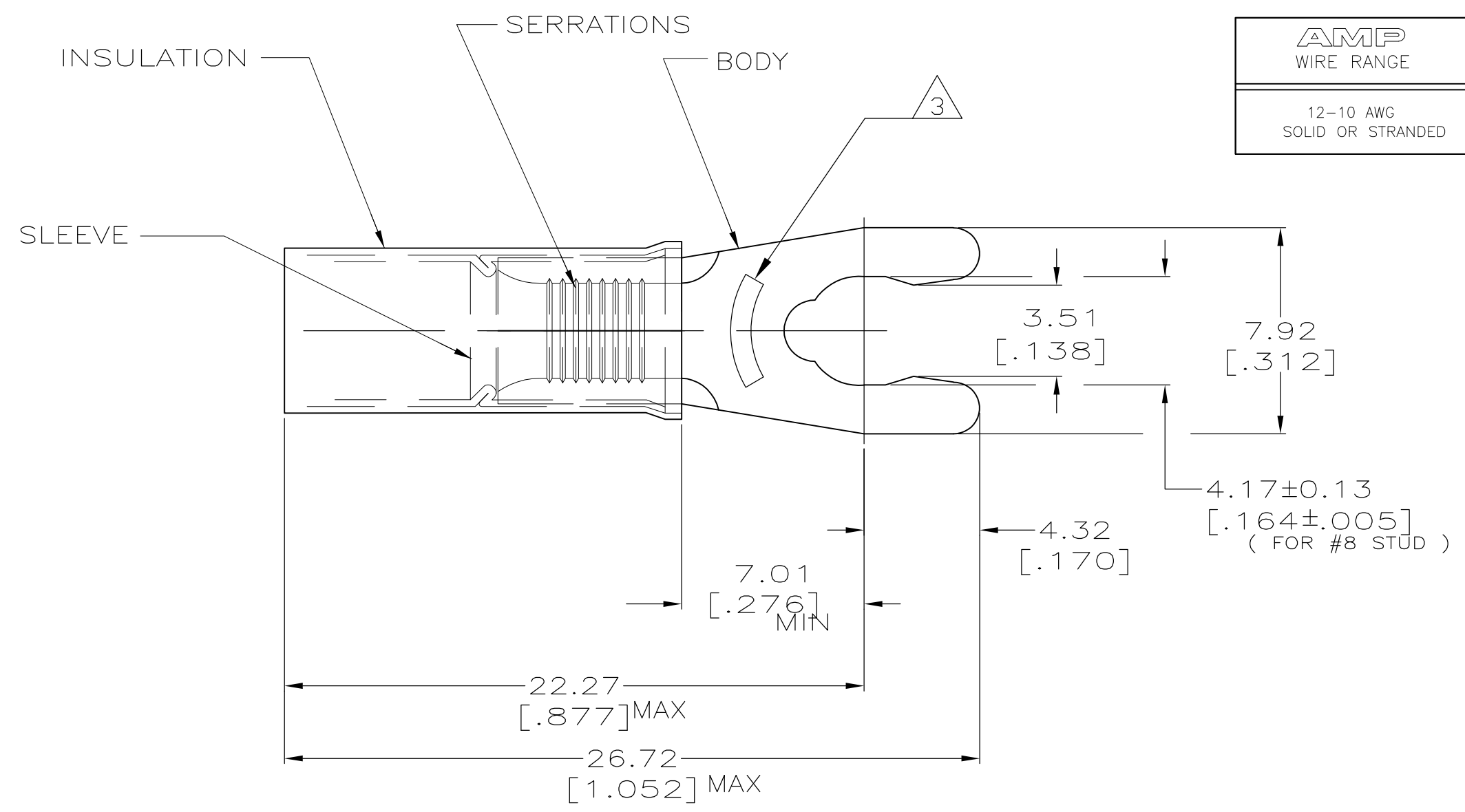




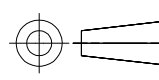
THIS DRAWING IS UNPUBLISHED. RELEASED FOR PUBLICATION
 © COPYRIGHT BY TYCO ELECTRONICS CORPORATION. ALL RIGHTS RESERVED.

LOC	DIST	REVISIONS					
G	14	P	LTR	DESCRIPTION	DATE	DWN	APVD
		C		REV PER ECR 10-005107	08MAR10	JR	TM

AMP WIRE RANGE	 Listed FILE E13288
12-10 AWG SOLID OR STRANDED	12-10 AWG SOLID OR STRANDED



- 1 FOR 3.81-6.35 [.150-.250] WIRE INSULATION DIA.
- 2 TONGUE MATERIAL THK IS 0.98±0.05 [.0385±.002]
-  STAMP " 8S AMP 12-10* ", LOCATED APPROX AS SHOWN.

2500	696072-1 ON TAPE	696072-2	INSULATION : NYLON, COLOR: YELLOW SLEEVE: COPPER (ASTM B-152)	
500	LOOSE PIECE	696072-1	BODY: PHOSPHOR BRONZE PER ASTM B103 TIN PLATE PER ASTM B545	
QTY	DESCRIPTION	PART NO.	MATERIAL & FINISH	
THIS DRAWING IS A CONTROLLED DOCUMENT.		DWN JR RUTH 12/17/98	 Tyco Electronics Corporation Harrisburg, PA 17105-3608	
		CHK MS FEHER 12/17/98		
DIMENSIONS: MM [INCHES]		APVD J TALLEY 12/17/98	NAME WIRE TERMINAL, PIDG - SPRING SPADE (STUB) WIRE SIZE : 12-10	
		PRODUCT SPEC	SIZE	
		APPLICATION SPEC	CAGE CODE	DRAWING NO
MATERIAL SEE TABLE		FINISH SEE TABLE	114-2157	
		WEIGHT -	A300779 C-696072	
CUSTOMER DRAWING			SCALE 5:1	SHEET 1 OF 1
			REV C	