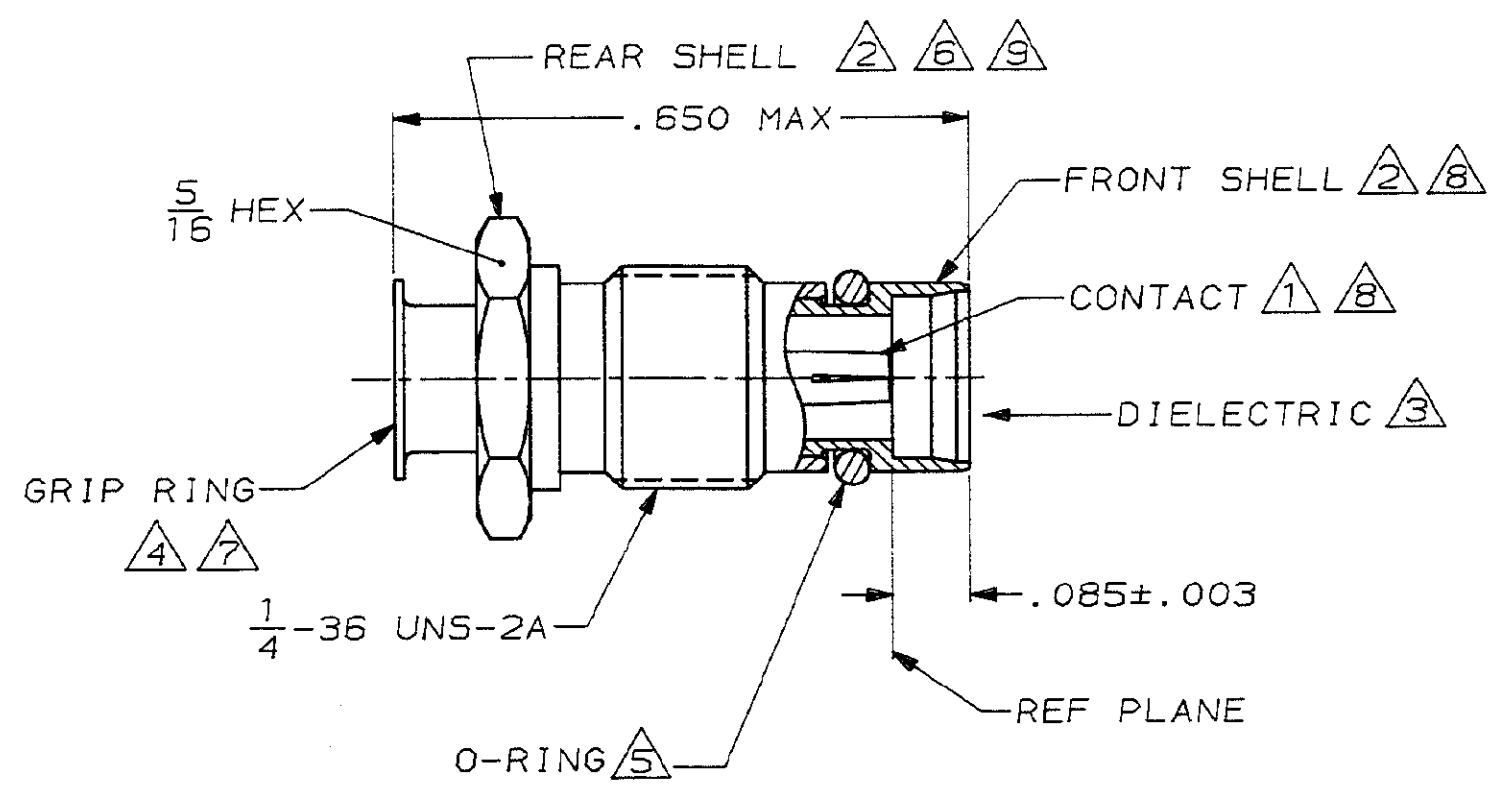


DRAWING MADE IN THIRD ANGLE PROJECTION

THIS DRAWING IS UNPUBLISHED. RELEASED FOR PUBLICATION
 © COPYRIGHT 19 BY AMP INCORPORATED, HARRISBURG, PA. ALL INTERNATIONAL RIGHTS RESERVED. AMP PRODUCTS MAY BE COVERED BY U.S. AND FOREIGN PATENTS AND/OR PATENTS PENDING.

MOD	LOC	DIST	P	F	ZONE	LTR	DESCRIPTION	DATE	APPROVED
	AJ	16					PR 87-3484-004	5/7/87	MS/DH



- △ 1 BERYLLIUM COPPER PER QQ-C-530
 - △ 2 STAINLESS STEEL PER ASTM-A-582
 - △ 3 PTFE PER MIL-P-19468
 - △ 4 BRASS PER MIL-C-50
 - △ 5 SILICONE RUBBER PER ZZ-R-765
 - △ 6 SEALANT
 - △ 7 NICKEL PL PER QQ-N-290
 - △ 8 GOLD PL PER MIL-G-45204
 - △ 9 PASSIVATION PER QQ-P-35
10. CONTACT ACCEPTS .036 ± .001 DIA PIN

222220-2
PART NO

UNLESS OTHERWISE SPECIFIED DIMENSIONS ARE IN INCHES TOLERANCES ON: 2 PL DEC ± _____ 3 PL DEC ± _____ ANGLES ± _____	DR <i>M. Emond</i> 5/5/87	AMP AMP INCORPORATED Harrisburg, Pa. 17105	
	CHK <i>R. J. ...</i> 5/7/87		
MATERIAL △ 1 THRU △ 6	APPD <i>R. J. ...</i> 5/12/87	NAME JACK ASSY, BULKHEAD, BLIND MATE 3.5 MM	
FINISH △ 7 △ 8 △ 9	APPD <i>M. Emond</i> 5/4/87	SIZE B	FSCM NO 00779
	PRODUCT SPEC _____	DRAWING NO 222220-2	
	APPLICATION SPEC _____	SCALE 5:1	SHEET 1 OF 1
	WEIGHT _____		