

4

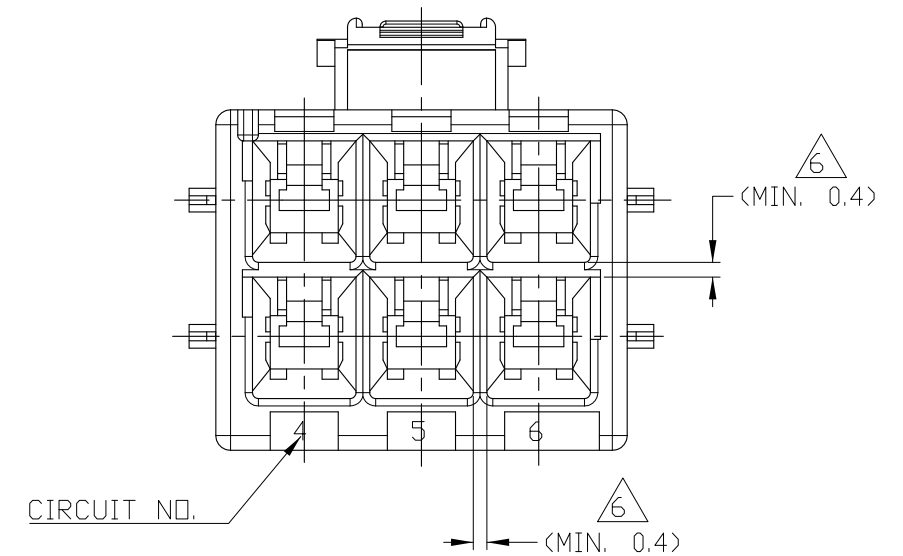
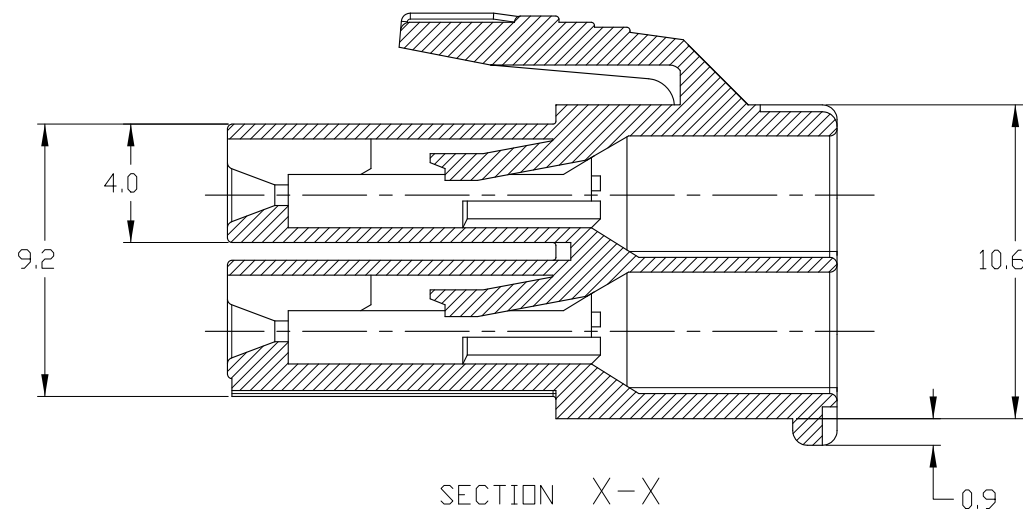
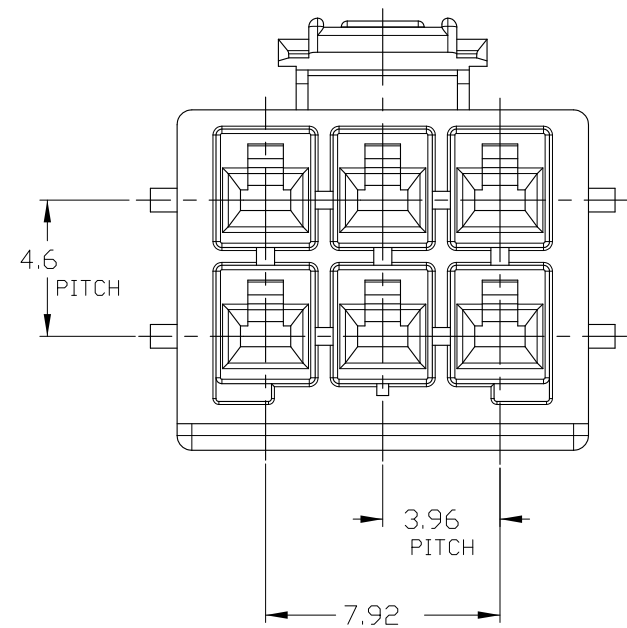
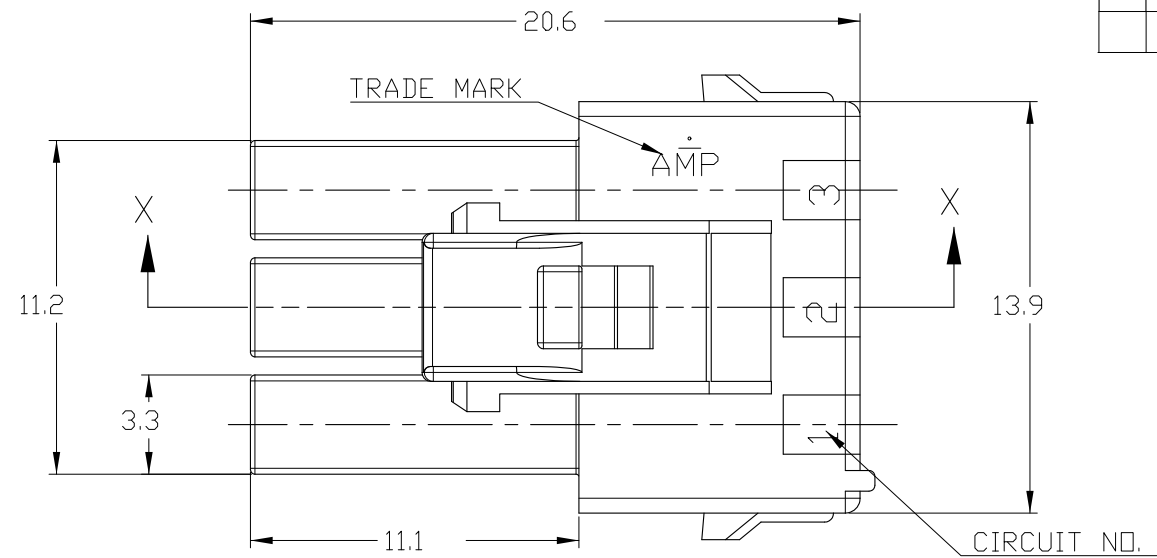
3

2

1

THIS DRAWING IS UNPUBLISHED. RELEASED FOR PUBLICATION 20
© COPYRIGHT 20 BY TYCO ELECTRONICS CORPORATION. ALL RIGHTS RESERVED.

LOC	DIST	REVISIONS					
DS	-	P	LTR	DESCRIPTION	DATE	DWN	APVD
			B	REVISED (ECR-07-005158)	14.MAR'07	SC	JK
			C	REVISED (ECR-09-011788)	25.MAY'09	SC	JK



- NOTE;
- 1.APPLICABLE CONTACT P/N
-REC CONTACT:177915- □(AWG#16-#20)
:177914- □(AWG#22-#26)
 - 2.MATING CONN.P/N
-CAP HSG:2005253- □(FREE HANGING)
368588-□(PANEL MOUNT)
-TAB CONTACT: 177917- □(AWG#16-#20)
177916- □(AWG#22-#26)
-PC BOARD MOUNT(ASS'Y):179841- □
 - 3.APPLICABLE DOUBLE LOCK PLATE:177919-1
*IT SHOULD BE USED CERTAINLY WHEN CABLE ASS'Y
 - 4.GENERAL TOLERANCES:±0.3
 - 5.ACCORDING TO IEC 60335-1 4.2 EDITION
-PART MEETS GWT 750°C,850°C.
-MATERIAL MEETS BALL PRESSURE TESTING AT 125°C.
-MATERIAL HAS CTI VALUE OF 250V.
 - 6.MIN.THICKNESS OF INSULATING WALL

③	368576-6	BLUE
③	368576-4	YELLOW
③	368576-2	RED
③	368576-1	NATURAL
	P/N	COLOR

DIMENSIONS:		TOLERANCES UNLESS OTHERWISE SPECIFIED:		DWN		NAME	
mm		0 PLC	±-	SC KIM	Tyco Electronics AMP KOREA Kyungsan, Korea		
		1 PLC	±0.5	CHK			
		2 PLC	±0.13	BW KANG			
		3 PLC	±0.013	APVD			
		4 PLC	±0.0001	JK SONG			
		ANGLES	±-	PRODUCT SPEC	108-61106		
MATERIAL	FINISH			APPLICATION SPEC			
PA66(UL94V-0)	-			-	SIZE	CAGE CODE	DRAWING NO
				WEIGHT	A3	00779	368576
				CUSTOMER DRAWING	SCALE	SHEET	OF
					4:1	1	1
							REV
							C