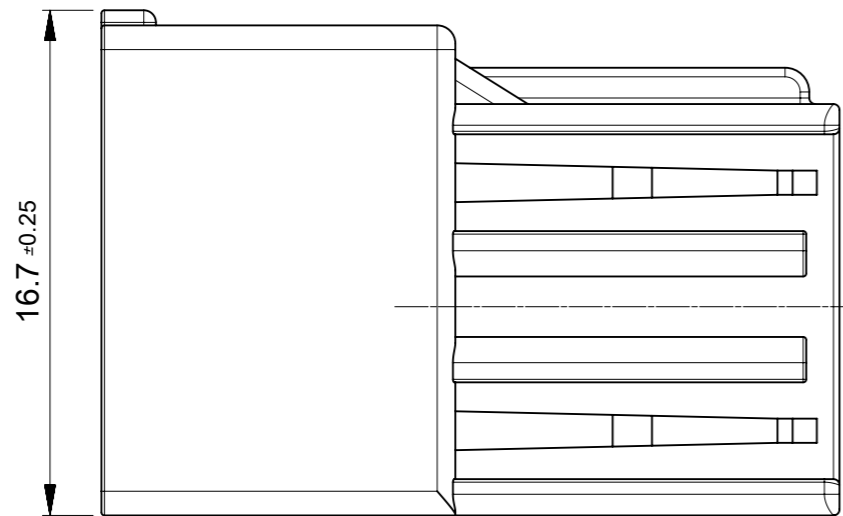
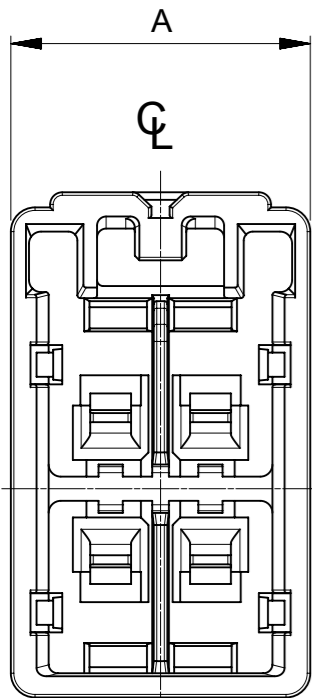
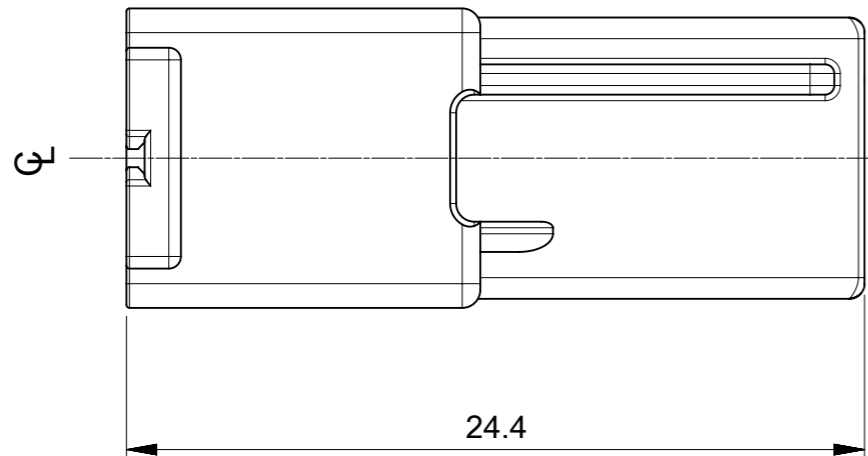
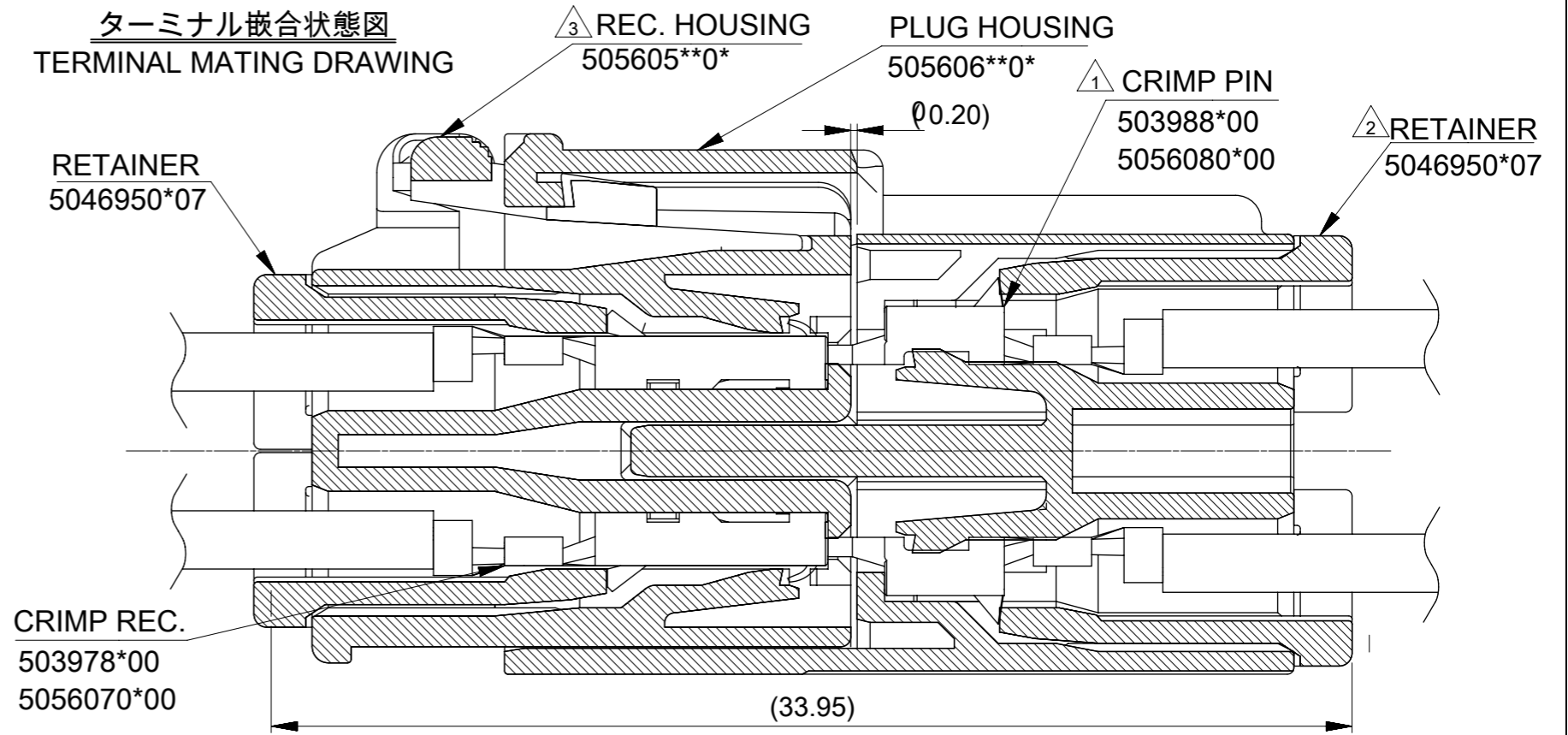


SHAPE OF 4CKTS



ターミナル嵌合状態図
TERMINAL MATING DRAWING

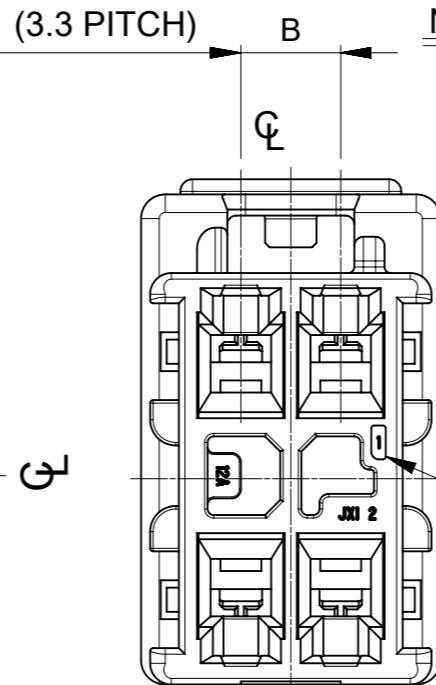


注記
NOTES

- ① 適合ターミナル:50398,505608 シリーズ。
APPLICABLE TERMINAL: 50398,505608 SERIES.
- ② 適合リテーナー : 504695 シリーズ。
APPLICABLE RETAINER:504695 SERIES.
- ③ 嵌合相手:505605 シリーズ。
MATE WITH : 505605 SERIES.
- 4. 材質 : POLYESTER(PBT),UL94V-0
MATERIAL:POLYESTER(PBT),UL94V-0

5. MATERIAL NO. は以下の内容を示す。
MATERIAL NO.

505606 **0*	色	
極数	CTK	COLOR
		0. 自然色 NATURAL
		1. 黒 BLACK
		2. 赤 RED
		3. 黄 YELLOW



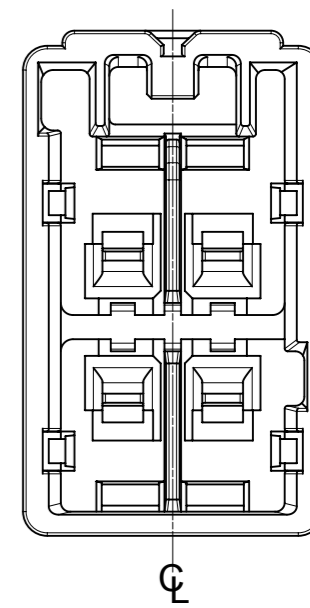
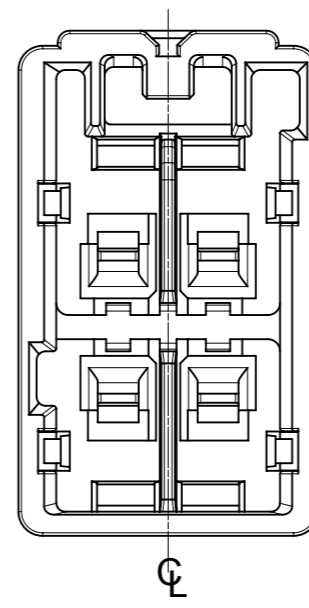
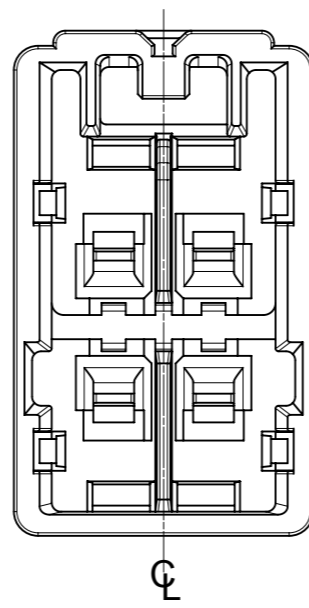
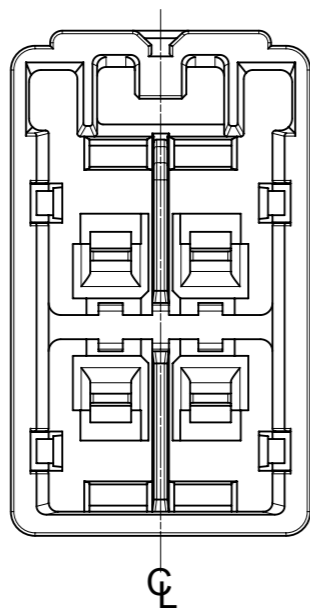
16.5	23.1	12	505606120*	505606**0*
13.2	19.8	10	505606100*	
9.9	16.5	8	505606080*	
6.6	13.2	6	505606060*	
3.3	9.9	4	505606040*	
(B)	A	極数 CTK.	BAG PACKAGE	MODEL NO.
			オーダー番号	ORDER NO.

THIS DRAWING CONTAINS INFORMATION THAT IS PROPRIETARY TO MOLEX ELECTRONIC TECHNOLOGIES, LLC AND SHOULD NOT BE USED WITHOUT WRITTEN PERMISSION

EC NO: 168281 DRWN: NITO CHK'D: SAKIYAMA APPR: TKANEKO	2017/11/21	2017/11/22	GENERAL TOLERANCES (UNLESS SPECIFIED)	DIMENSION UNITS	SCALE		
	2017/11/21	2017/11/22		mm	4:1		
	4 PLACES ± 0.2	3 PLACES ± 0.2		DRWN BY	DATE		CP 3.3 W/W DUAL ROW PLUG HOUSING
	2 PLACES ± 0.2	1 PLACE ± 0.2		QHE31	2016/11/01		
0 PLACES ± 0.2		CHK'D BY	DATE	PRODUCT CUSTOMER DRAWING			
		SAKIYAMA	2017/02/08	SERIES	MATERIAL NUMBER	CUSTOMER	
		APPR BY	DATE	505606	5056060000	GENERAL	
		TKANEKO	2017/02/08	DRAWING SIZE	THIRD ANGLE PROJECTION	DOCUMENT NUMBER	
				A3		5056060000	
			DRAFT WHERE APPLICABLE MUST REMAIN WITHIN DIMENSIONS			DOC TYPE	
						PSD	
						DOC PART	
						000	
						SHEET NUMBER	
						1 OF 2	

MATING
KEY TYPE & COLOR

REFERENCE 4 CKTS



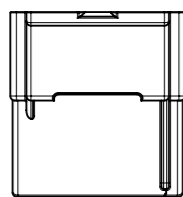
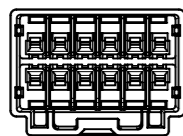
KEY TYPE : 1 COLOR : NATURAL
MATERIAL NO. : 5056060400

KEY TYPE : 2 COLOR : BLACK
MATERIAL NO. : 5056060401

KEY TYPE : 3 COLOR : RED
MATERIAL NO. : 5056060402

KEY TYPE : 4 COLOR : YELLOW
MATERIAL NO. : 5056060403

505605120*	5046950607	12	5056061203	5056061202	5056061201	5056061200
505605100*	5046950507	10	5056061003	5056061002	5056061001	5056061000
505605080*	5046950407	8	5056060803	5056060802	5056060801	5056060800
505605060*	5046950307	6	5056060603	5056060602	5056060601	5056060600
505605040*	5046950207	4	5056060403	5056060402	5056060401	5056060400
MATE WITH	CONFORTABLE-RETAINER	極数 CKT.	YELLOW	RED	BLACK	NATURAL
BAG PACKAGE						
オーダー番号 ORDER NO.						



CKT1 MARK

VIEW OF 4,6,8,10,12CKTS
(SCALE 1:1)

THIS DRAWING CONTAINS INFORMATION THAT IS PROPRIETARY TO MOLEX ELECTRONIC TECHNOLOGIES, LLC AND SHOULD NOT BE USED WITHOUT WRITTEN PERMISSION

EC NO: 168281 DRWN: NITO CHK'D: SAKIYAMA APPR: TKANEKO	2017/11/21	GENERAL TOLERANCES (UNLESS SPECIFIED)	DIMENSION UNITS	SCALE	molex [®]						
	2017/11/22		mm	4:1							
			ANGULAR TOL ± 3.0 °	DRWN BY		DATE	CP 3.3 W/W DUAL ROW PLUG HOUSING				
			4 PLACES ± 0.2	QHE31		2016/11/01					
	3 PLACES ± 0.2	2 PLACES ± 0.2	1 PLACE ± 0.2	0 PLACES ± 0.2	CHK'D BY	DATE	PRODUCT CUSTOMER DRAWING				
					SAKIYAMA	2017/02/08					
					APPR BY	DATE	SERIES	MATERIAL NUMBER	CUSTOMER		
					TKANEKO	2017/02/08				505606	5056060000
					DRAFT WHERE APPLICABLE MUST REMAIN WITHIN DIMENSIONS	DRAWING SIZE	THIRD ANGLE PROJECTION	DOCUMENT NUMBER	DOC TYPE	DOC PART	SHEET NUMBER
						A3		5056060000	PSD	000	2 OF 2