

Interface converters - FL COM SERVER RS232 - 2744490


Please be informed that the data shown in this PDF Document is generated from our Online Catalog. Please find the complete data in the user's documentation. Our General Terms of Use for Downloads are valid (<http://phoenixcontact.com/download>)



First generation FL COM SERVER RS-232, for converting a serial RS-232 interface to Ethernet incl. CD-ROM with drivers, additional software, and user documentation (PDF)



Key Commercial Data

| | |
|--------------|---|
| Packing unit | 1 STK |
| GTIN |  4 017918 974343 |
| GTIN | 4017918974343 |

Technical data

Note

| | |
|-------------------------|---|
| Utilization restriction | EMC: class A product, see manufacturer's declaration in the download area |
|-------------------------|---|

Dimensions

| | |
|--------|----------|
| Width | 22.5 mm |
| Height | 99 mm |
| Depth | 118.6 mm |

Ambient conditions

| | |
|---|--|
| Ambient temperature (operation) | 0 °C ... 55 °C |
| Ambient temperature (storage/transport) | -20 °C ... 70 °C |
| Altitude | 5000 m (For restrictions see manufacturer's declaration) |
| Degree of protection | IP20 |
| Noise immunity | EN 61000-6-2:2005 |

General

| | |
|--|---------------------------------------|
| Electrical isolation | VCC // Ethernet // V.24 (RS-232) |
| Test voltage data interface/data interface | 1.5 kV _{rms} (50 Hz, 1 min.) |
| Test voltage data interface/power supply | 1.5 kV _{rms} |

Interface converters - FL COM SERVER RS232 - 2744490

Technical data

General

| | |
|-------------------------------|--|
| | 1.5 kV _{rms} (50 Hz, 1 min.) |
| Electromagnetic compatibility | Conformance with EMC Directive 2014/30/EU |
| Noise emission | EN 50081-2 |
| Net weight | 186.2 g |
| Housing material | PA V0 |
| Color | green |
| MTBF | 666 Years (Telcordia standard, 25°C temperature, 21% operating cycle (5 days a week, 8 hours a day)) |
| | 179 Years (Telcordia standard, 40°C temperature, 34.25% operating cycle (5 days a week, 12 hours a day)) |

Power supply

| | |
|-----------------------------|---|
| Supply voltage range | 19.2 V AC/DC ... 28.8 V AC/DC (via pluggable COMBICON screw terminal block) |
| | 22.8 V DC ... 25.2 V DC (as an alternative or redundant, via backplane bus contact and system current supply) |
| Typical current consumption | max. 100 mA |

Serial interface

| | |
|-----------------------------|---|
| Interface 1 | Ethernet interface, 10/100Base-T(X) in acc. with IEEE 802.3u |
| Interface | Ethernet |
| Connection method | RJ45 socket, shielded |
| Transmission length | 100 m (shielded twisted pair) |
| Protocols supported | TCP/IP, UDP, Modbus (TCP, RTU/ASCII), PPP |
| Auxiliary protocols | ARP, DHCP, BOOTP, SNMP, RIP, RARP, HTTP, TFTP |
| Serial transmission speed | 10/100 Mbps, auto negotiation |
| Interface 2 | V.24 (RS-232) interface in acc. with ITU-T V.28, EIA/TIA-232, DIN 66259-1 |
| Interface | RS-232 |
| Connection method | D-SUB 9 plug |
| File format/coding | UART/NRZ: 7/8 Bit Data, 1/2 Bit Stopp, None/Even/Odd Parity |
| Data flow control/protocols | Software handshake, Xon/Xoff, or hardware handshake RTS/CTS // 3964 R compatible, Modbus RTU/ASCII |
| Serial transmission speed | 300, 600, 1200, 2400, 4800, 9600, 19200, 38400, 57600, 115200, 187500 Bit/s, can be set with web-based management |

Function

| | |
|----------------------------------|--|
| Web-based management | yes |
| Management | Web-based management, SNMP or Factory Manager Software FL SWT |
| Status and diagnostic indicators | LEDs: UL (communication voltage), AC (data activity RS-232), FD (full duplex): 100 (100Base-T (X) operation), COL (collision) link and receive LED for Ethernet port |

Standards and Regulations

| | |
|-------------------------------|---|
| Electromagnetic compatibility | Conformance with EMC Directive 2014/30/EU |
| Noise emission | EN 50081-2 |

Interface converters - FL COM SERVER RS232 - 2744490

Technical data

Standards and Regulations

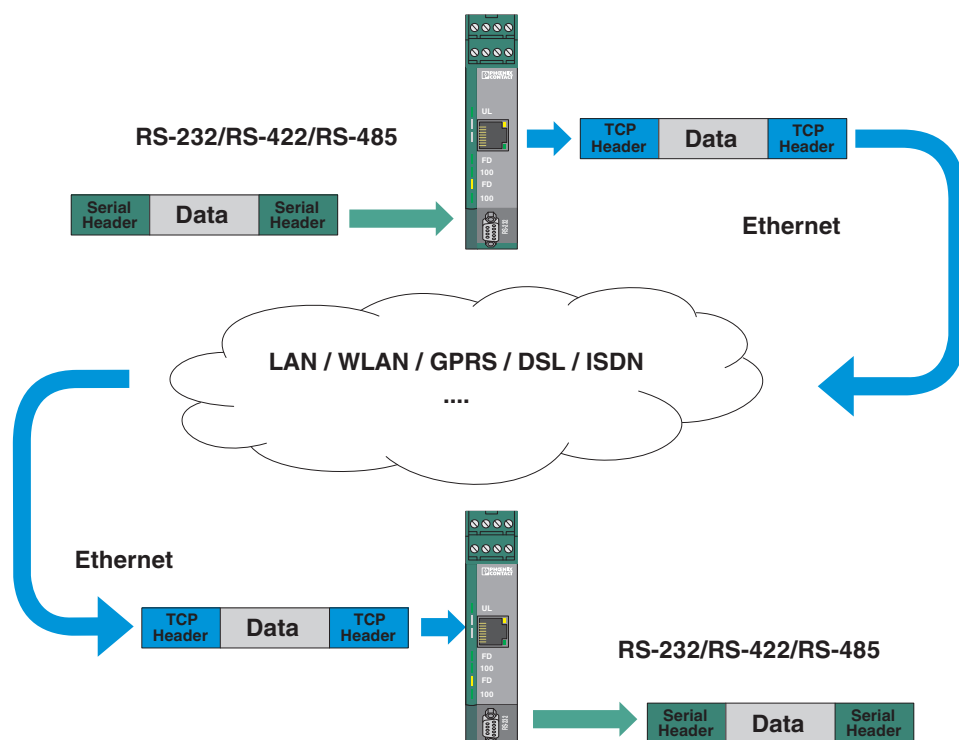
| | |
|----------------------------------|----------------------------------|
| Noise immunity | EN 61000-6-2:2005 |
| Connection in acc. with standard | CUL |
| Noxious gas test | ISA-S71.04-1985 G3 Harsh Group A |

Environmental Product Compliance

| | |
|------------|---|
| China RoHS | Environmentally Friendly Use Period = 50 |
| | For details about hazardous substances go to tab "Downloads", Category "Manufacturer's declaration" |

Drawings

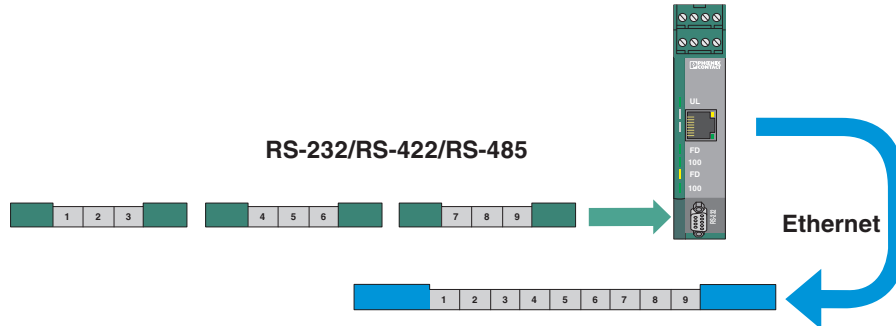
Application drawing



Serial data transmission via Ethernet

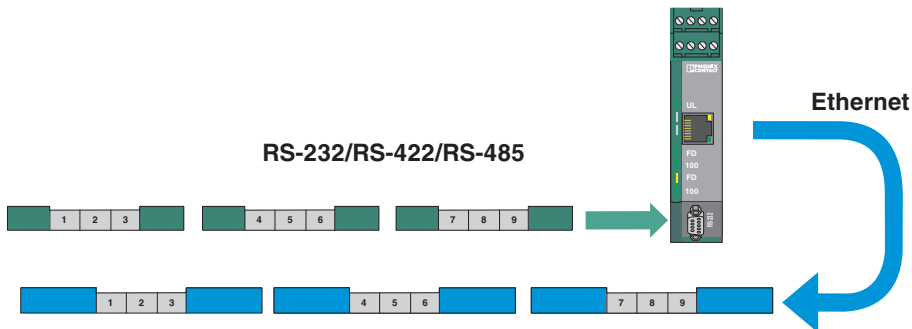
Interface converters - FL COM SERVER RS232 - 2744490

Application drawing



Large value: "Idle Force Timeout Characters"

Application drawing



Small value: "Idle Force Timeout Characters"

Phoenix Contact 2018 © - all rights reserved
<http://www.phoenixcontact.com>

PHOENIX CONTACT GmbH & Co. KG
Flachsmarktstr. 8
32825 Blomberg
Germany
Tel. +49 5235 300
Fax +49 5235 3 41200
<http://www.phoenixcontact.com>