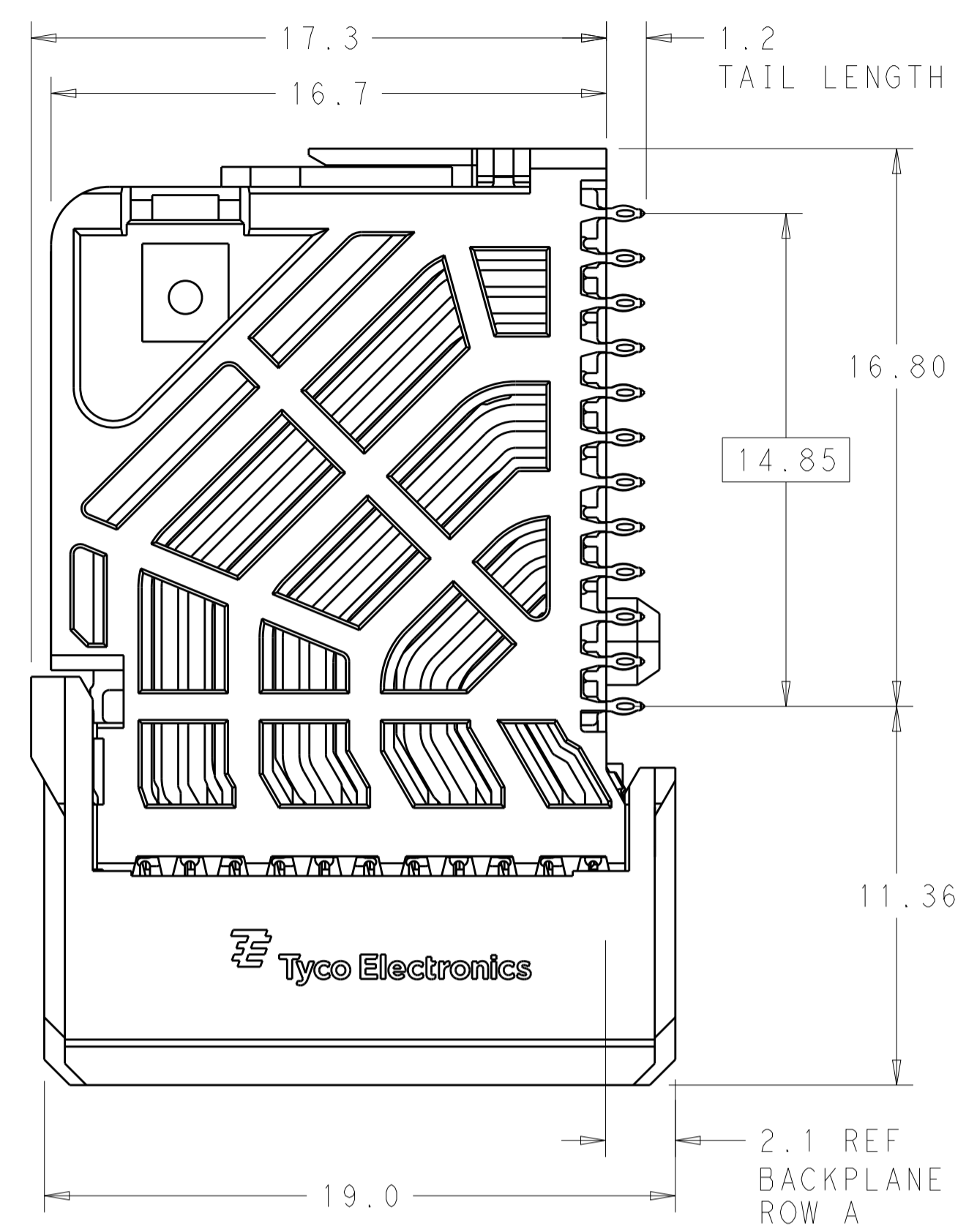
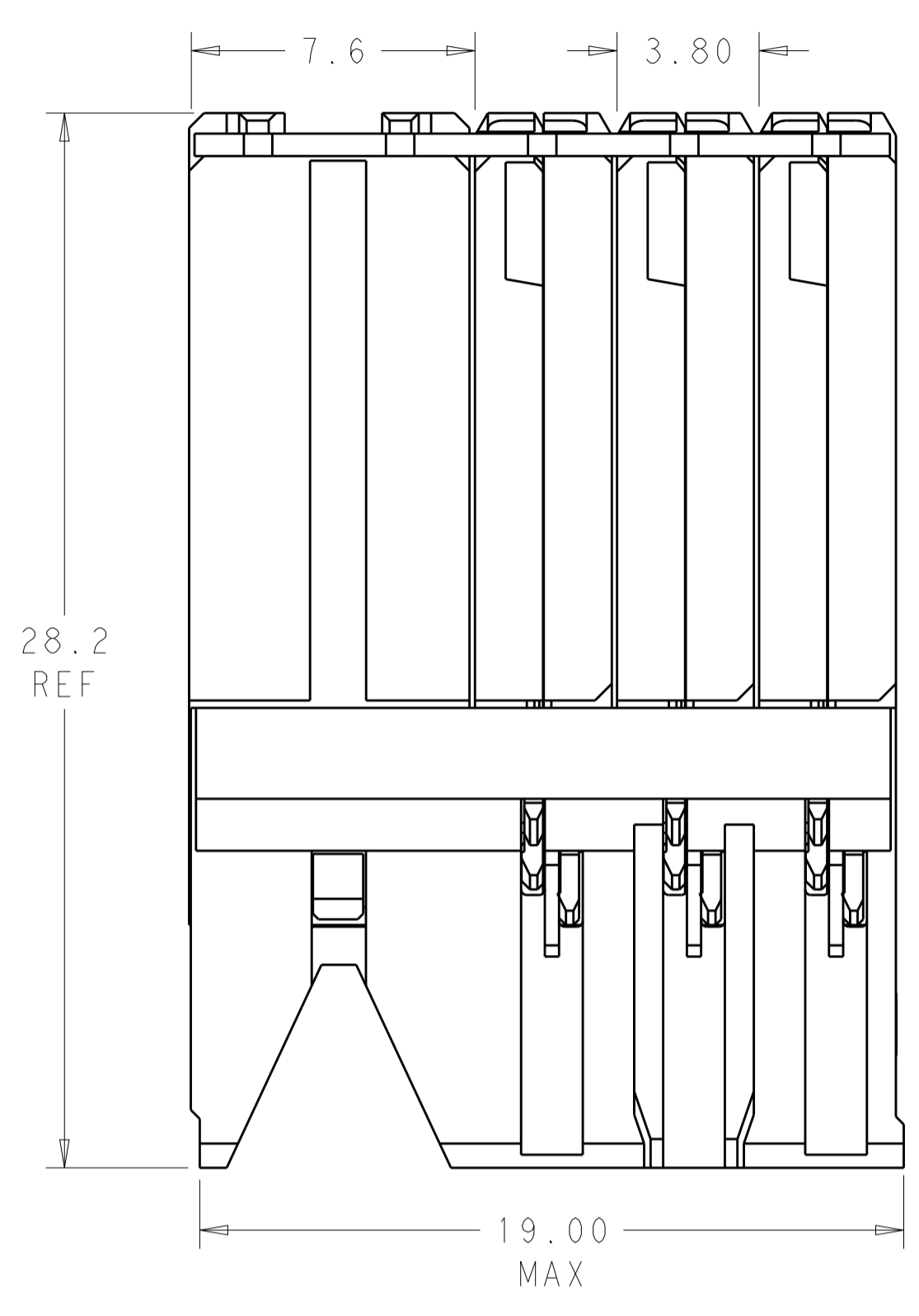
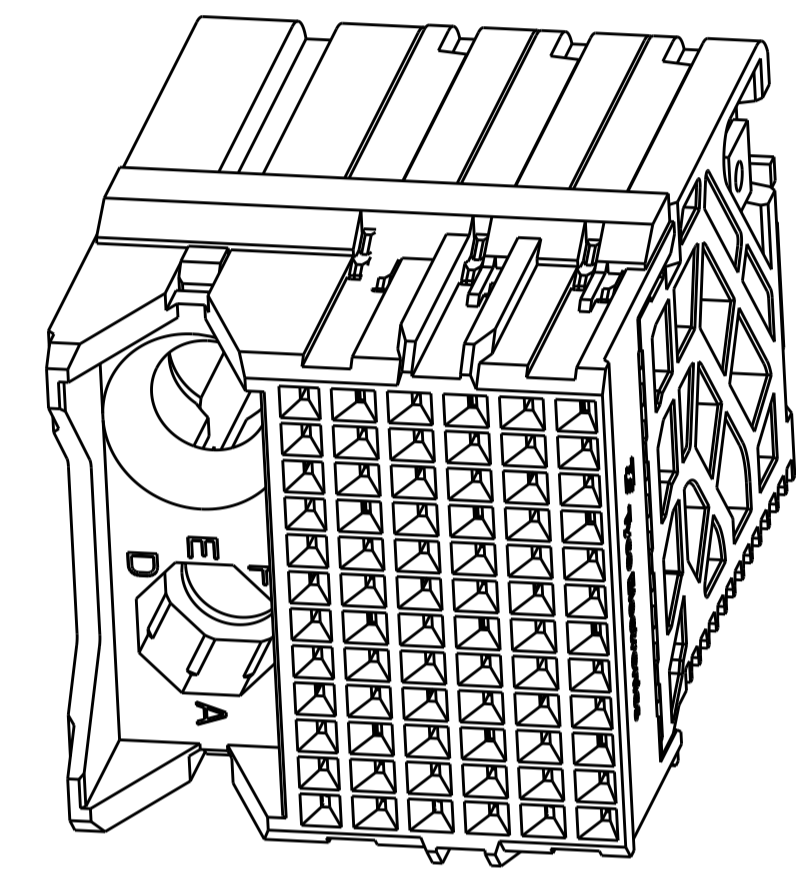


REVISIONS				
P.	LTN.	DESCRIPTION	DATE	APVD.
C1		REVISED PER ECO-14-018036	18FEB2015	AP DD

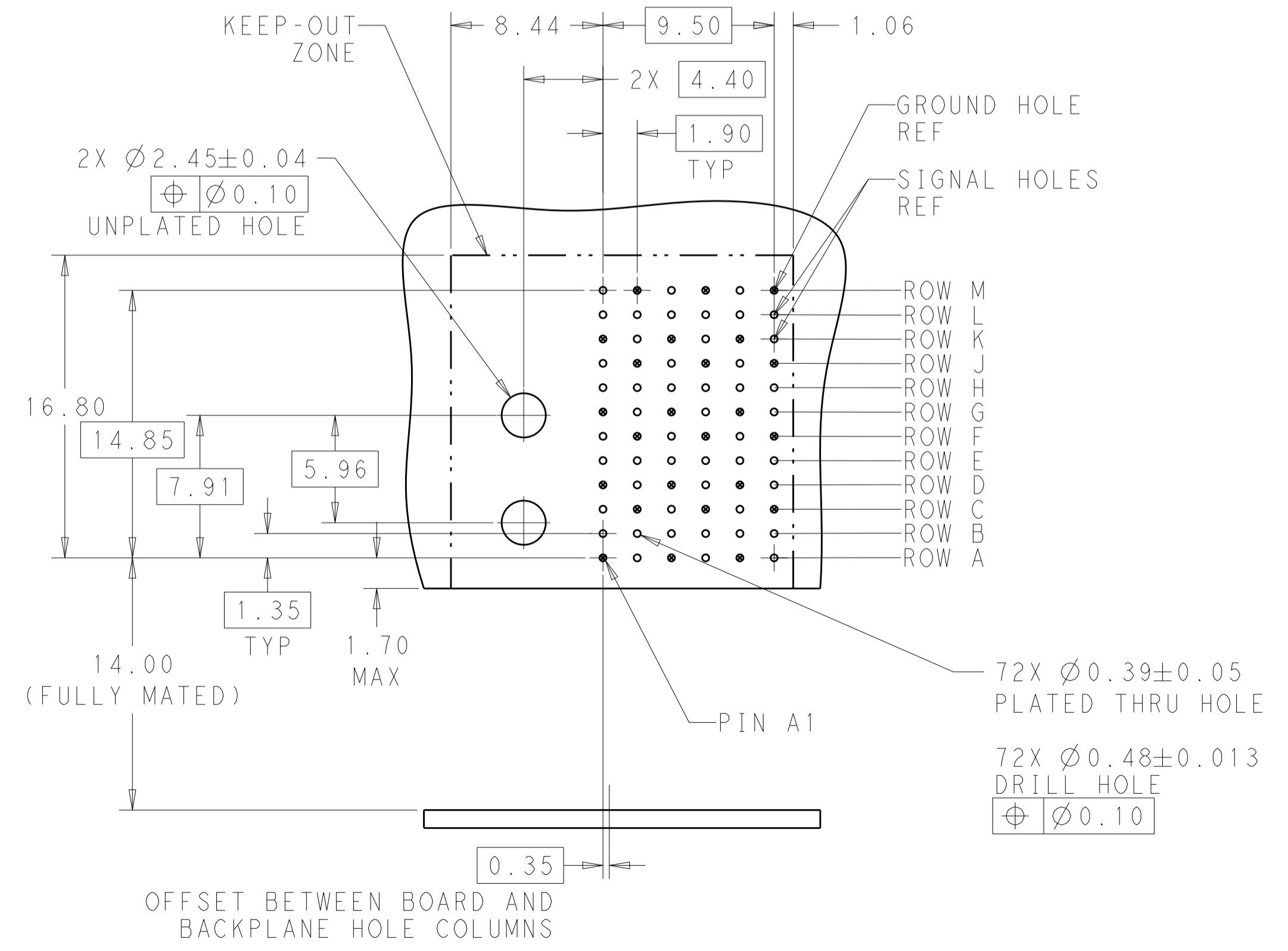
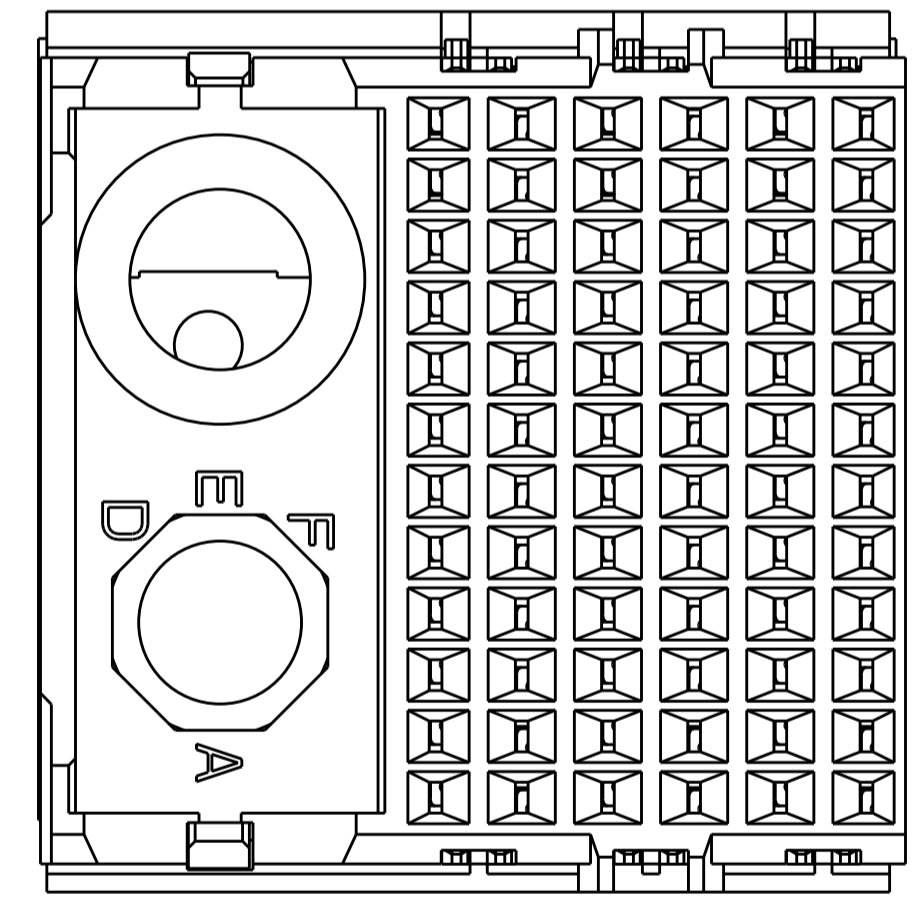


- ⚠ MATERIAL:
HOUSING: LCP, GLASS FILLED, UL94V-0.
TERMINALS: HIGH PERFORMANCE COPPER ALLOY.
- ⚠ FINISH:
30μ" SELECTIVE GOLD IN CONTACT AREA. SELECTIVE TIN ON PCB TAILS, NICKEL OVERALL.
- 3. CONNECTORS SUPPLIED WITH MOUNTING SCREWS



SCALE 4:1

REFER TO WWW.TE.COM FOR PRODUCT AVAILABILITY



KEY POSITION CHART	
	NONE
	A
	B
	C
	D
	E
	F
	G
	H

KEY POSITION	FINISH	PART NUMBER
H	⚠	8-2132737-1
G	⚠	7-2132737-1
F	⚠	6-2132737-1
E	⚠	5-2132737-1
D	⚠	4-2132737-1
C	⚠	3-2132737-1
B	⚠	2-2132737-1
A	⚠	1-2132737-1
NONE	⚠	2132737-1

THIS DRAWING IS A CONTROLLED DOCUMENT.

DWN: B. CARBO 27DEC2010
 CHK: D. DIXON 27DEC2010
 APVD: D. DIXON 27DEC2010

TE Connectivity

NAME: IMPACT, 4 PAIR, DAUGHTERCARD 6 COLUMN, LEFT GUIDED, SIGNAL MODULE, 0.39 EYELET

SIZE: A1 CAGE CODE: 2132737

SCALE: 6:1 SHEET: 1 OF 1 REV: C1