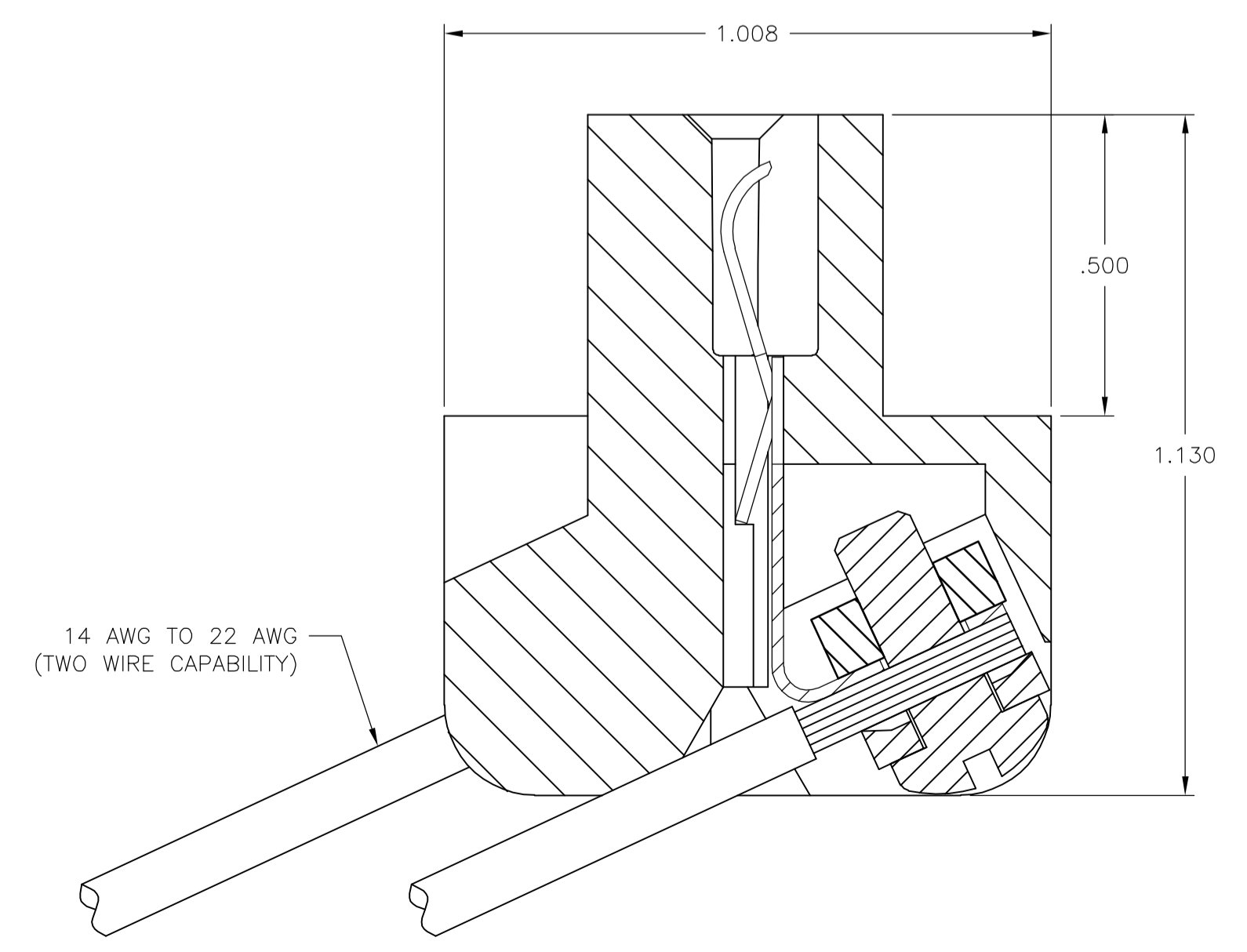
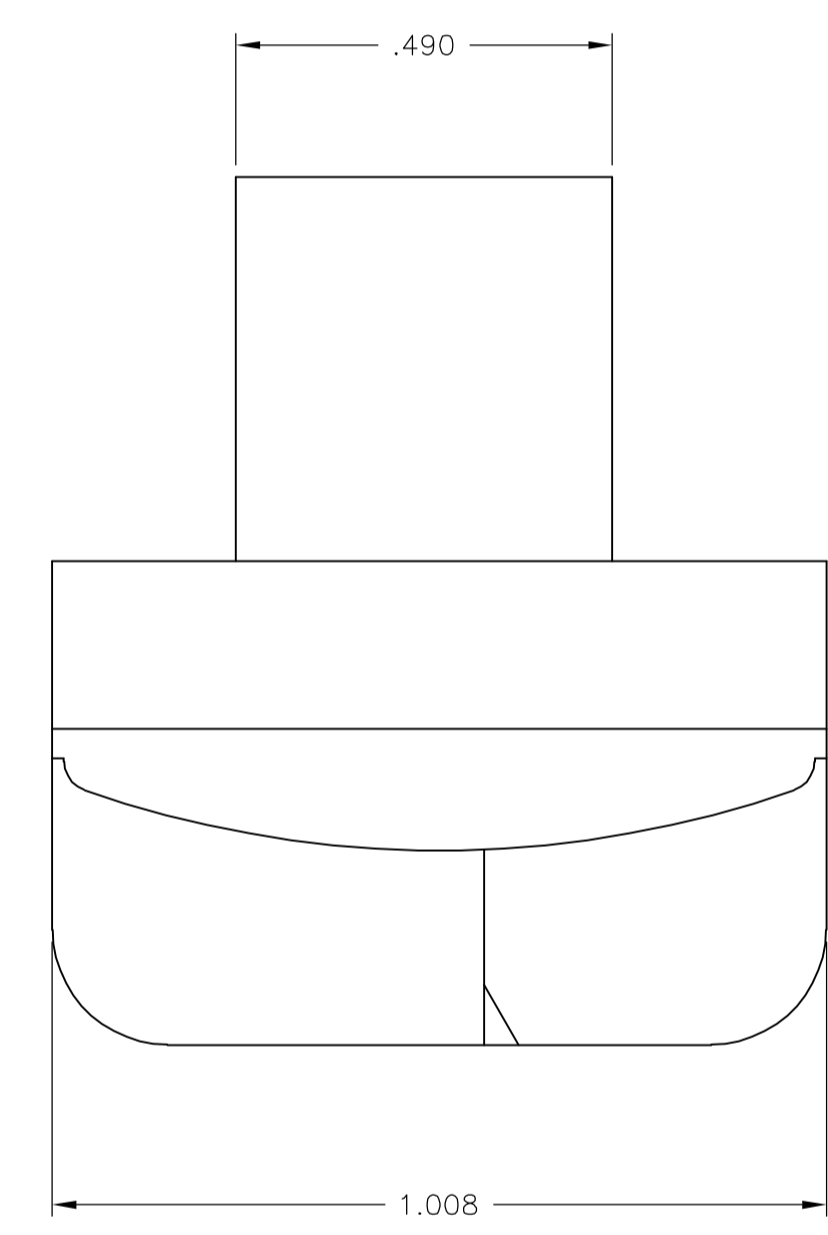
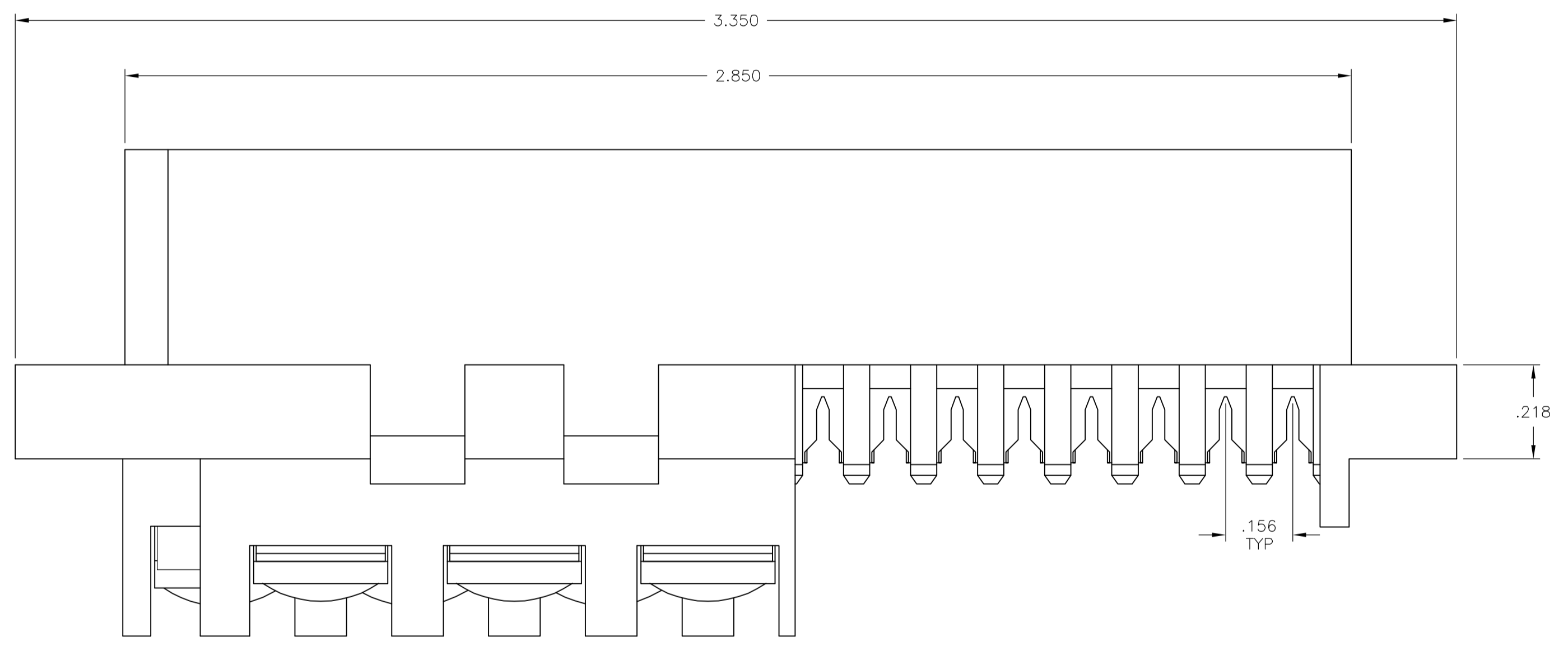
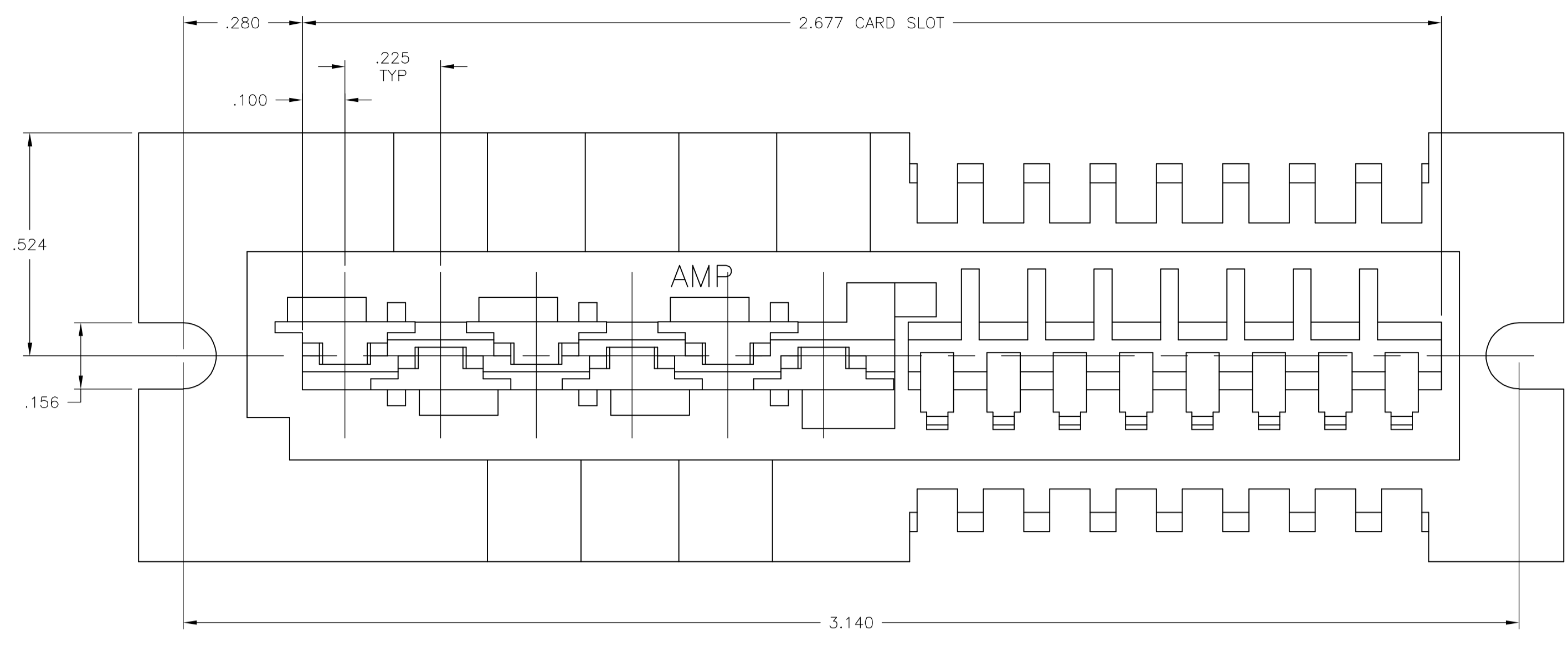
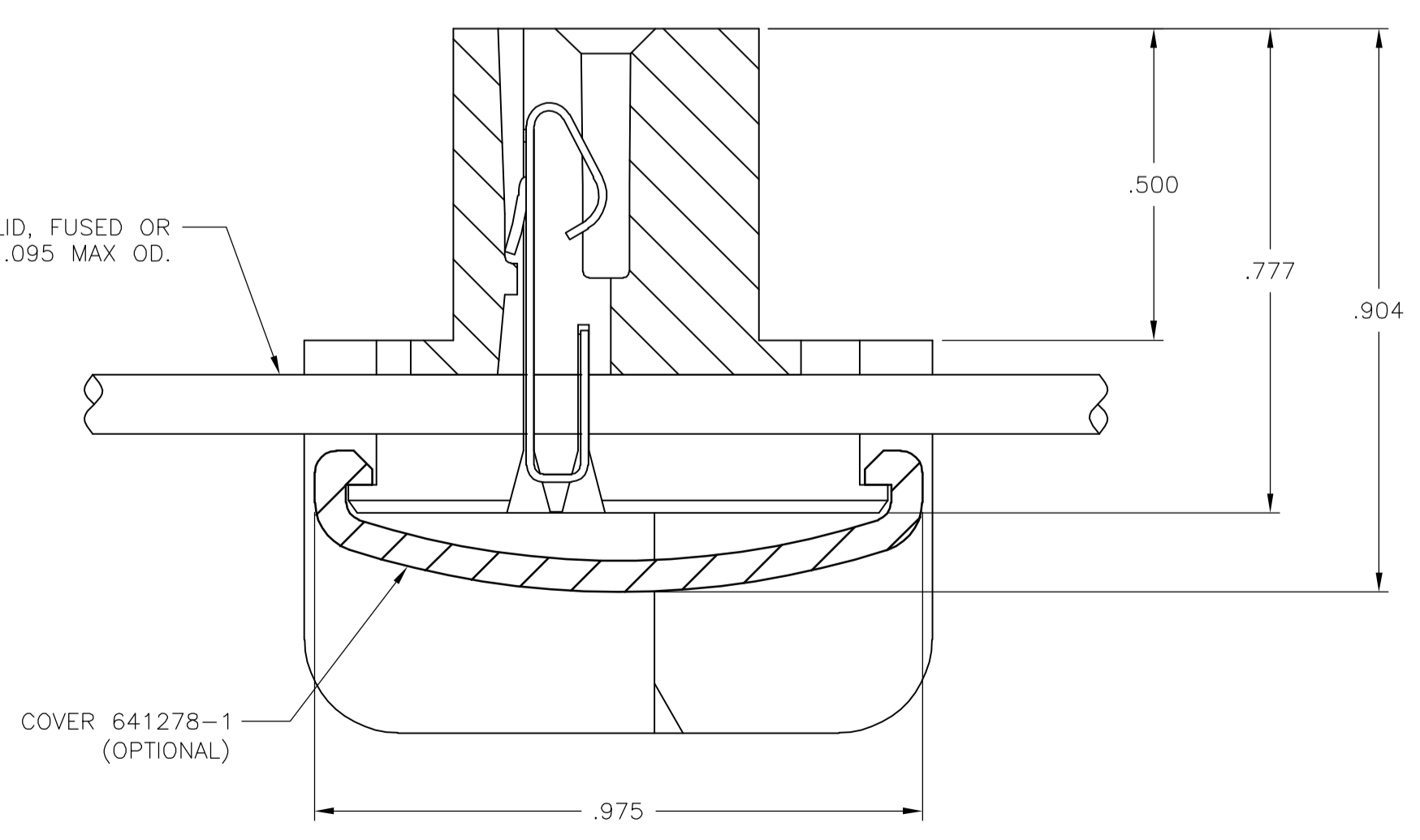


LOC		DIST		REVISIONS			
FT	O	P	LTR	DESCRIPTION	DATE	OWN	APVD
		J		REVISED PER ECO-07-004106	2/21/07	SS	DC

- DESIGNED FOR .062±.0075 THICK PRINTED CIRCUIT BOARD.
  - DESIGNED TO CONFORM TO UL 250V COMMERCIAL SPACINGS.
  - PRINTED CIRCUIT BOARD EDGE CONFIGURATION PER CP78-36020.
- ▲ MUST BE PURCHASED SEPERATELY.  
 ▲ TIN-LEAD PLATE .000100 MIN THK OVER NICKEL UNDERPLATE .000050 MIN THK.  
 ▲ GOLD PLATE .000030 MIN THK OVER NICKEL UNDERPLATE .000050 MIN THK.  
 ▲ TIN PLATE .000100 MIN THK OVER NICKEL UNDERPLATE .000050 MIN THK.



18 AWG SOLID, FUSED OR  
7 STRANDED, .095 MAX OD.



OBSOLETE	▲	1-641277-1
	▲	641277-2
	▲	641277-1
		FINISH PART NUMBER

THIS DRAWING IS A CONTROLLED DOCUMENT.		DIN S SCHLEGEL 03APR2006	Tyco Electronics Corporation	
DIMENSIONS: INCHES		CHK D COURS 4/4/06	Harrisburg, PA 17105-3608	
TOLERANCES UNLESS OTHERWISE SPECIFIED:		APVD D COURS 4/4/06	NAME	
0 PLC	± .005	PRODUCT SPEC		
1 PLC	± .005	APPLICATION SPEC		
2 PLC	± .005	SIZE		
3 PLC	± .005	CASE CODE		
4 PLC	± .005	DRAWING NO		
ANGLES	± .005	RESTRICTED TO		
MATERIAL	FINISH	WEIGHT	A1 00779 C=641277	
CUSTOMER DRAWING		SCALE 4:1	SHEET 1 OF 1	REV J