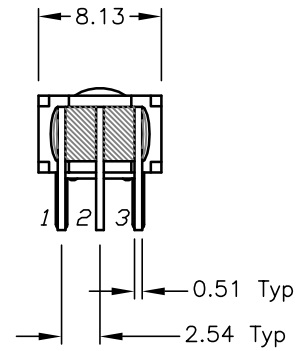
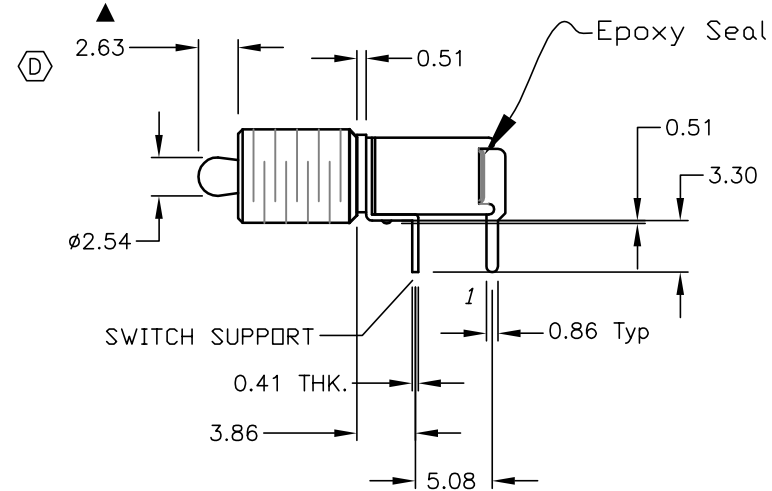
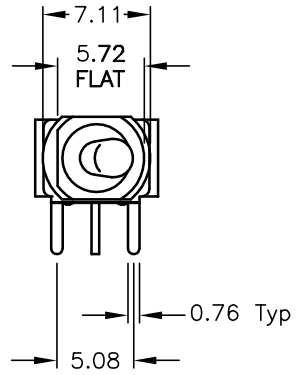
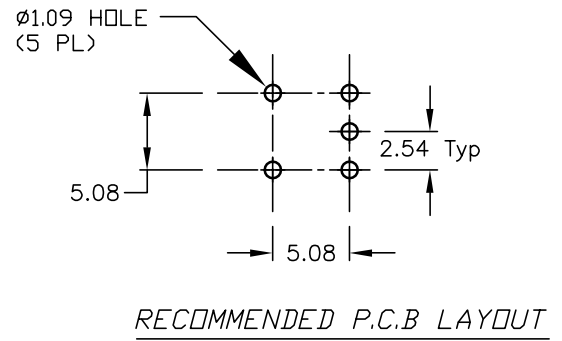
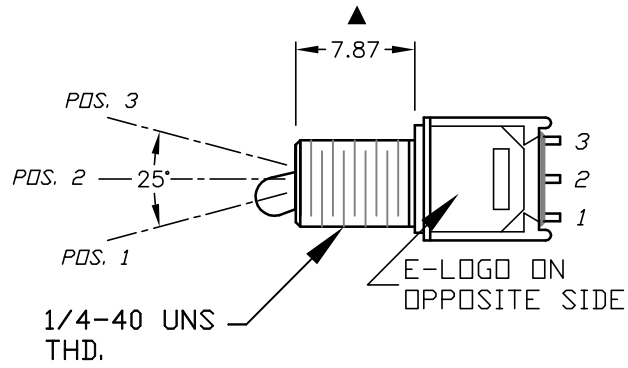


SWITCH FUNCTION		
POS. 1	POS. 2	POS. 3
ON	NONE	ON
2-3	OPEN	2-1



- NOTES:
- ALL DIMENSIONS IN MM
  - GENERAL TOLERANCE: X.X=±0.4  
X.XX=±0.25
  - TERM. NOS. FOR REF. ONLY
  - CONTACT RATING: 3A@ 120VAC. OR 28VDC:  
1A@ 250VAC.
  - ▲ 5. FIXED TERMINAL & MOVING CONTACT: Cu alloy w/ Silver plate
  6. ELECTRIC LIFE: 30,000 make-and-break cycles at full load.
  7. INSULATION RESISTANCE: 1,000 M ohm min.
  8. DIELECTRIC STRENGTH: 1,000 V RMS @sea level.
  9. OPERATING TEMP.: -30°C to 85°C
  10. ▲ DENOTES CRITICAL PARAMETER.

D	13450	DIM 2.64 WAS 3.04	9/16/03	AR
C	13430	DIM 3.04 WAS 2.84	9/8/03	AR
B	13412	CORRECT ACTUATOR LENGTH	8/29/03	AR
A	13178	RELEASED FOR PRODUCTION	6/4/03	AR
REV.	ECN No.	DESCRIPTION	DATE	CHKD

**E-SWITCH®**

TITLE: 200MSP1T2B5M6QE

SCALE: 2:1	DATE: 6/4/03	DR: AR	DWG: T211255	REV: D
------------	--------------	--------	--------------	--------

THE INFORMATION CONTAINED IN THIS DOCUMENT IS PROPRIETARY TO E-SWITCH AND IS NOT TO BE COPIED OR TRANSFERRED