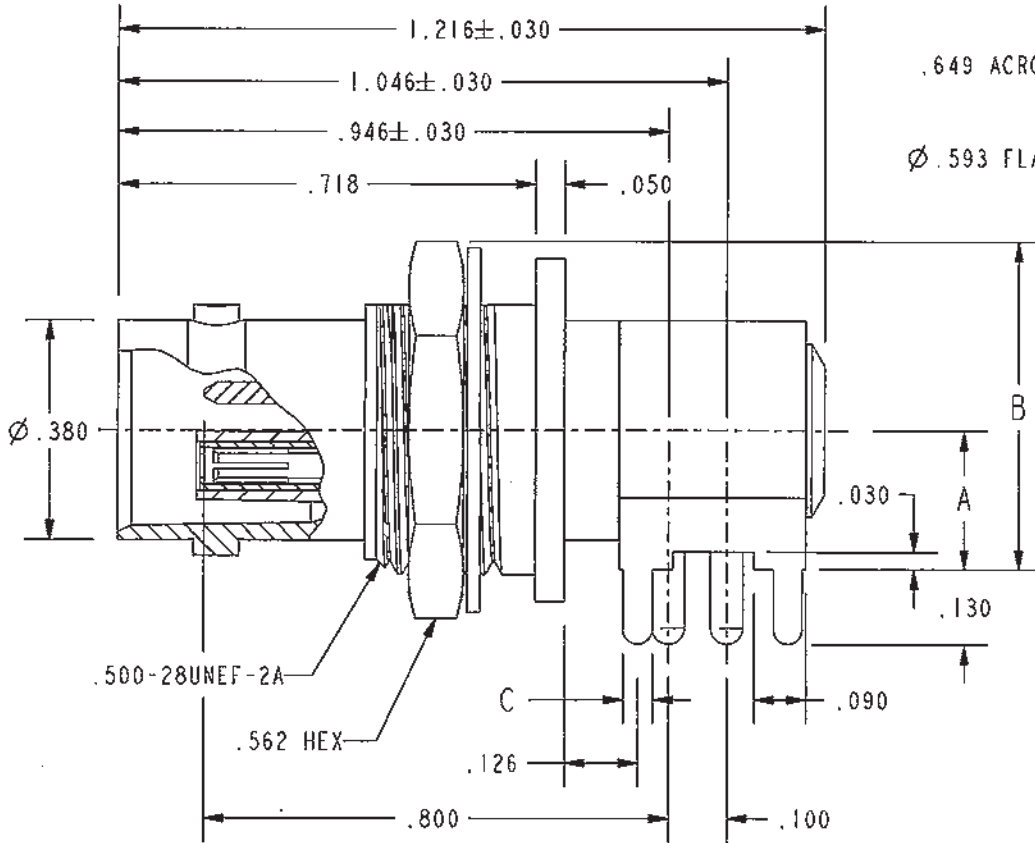
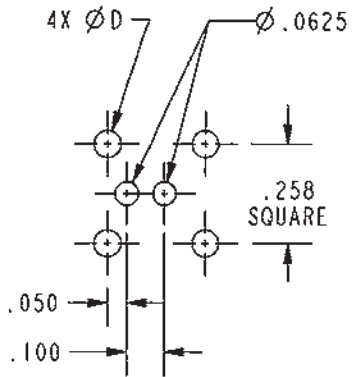
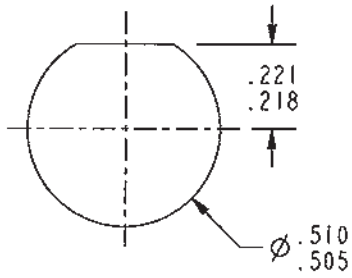


DATA CONTAINED IN THIS DOCUMENT IS PROPRIETARY TO TROMPETER ELECTRONICS INC. AND SHALL NOT BE DISCLOSED, COPIED OR USED FOR PROCUREMENT OR MANUFACTURE WITHOUT EXPRESS WRITTEN PERMISSION.

REVISIONS			
REV	DESCRIPTIONS	DATE	APPROVED
D	REVISED PER ECO 14776	10-29-02	[Signature]

MODEL	A	B ± .030	C	∅ D ± .002
CBBJR39	.24	.565	.050	.075
CBBJR39A	.34	.665	.058	.082

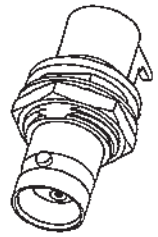
RED INDICATES ORIGINAL



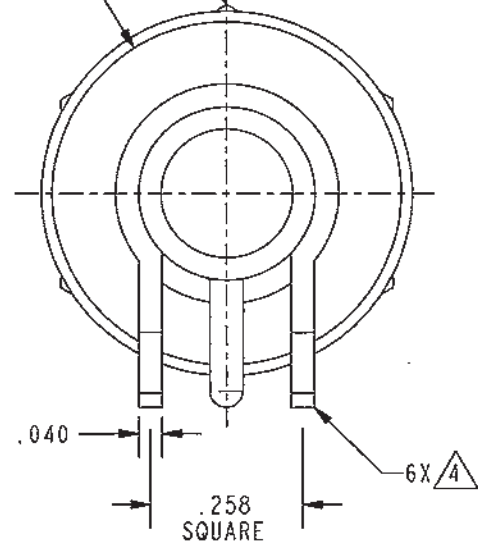
CBBJR39 SHOWN

.649 ACROSS POINTS

∅ .593 FLANGE



SCALE 1/1



△ TIN .0015 MAXIMUM THICKNESS WITH SN63 OR EQUIVALENT SOLDER PER QQ-S-571 TO WITHIN .060 MAXIMUM OF SHOULDER (ON SHROUD)

3. FINISH: TFS-1A (NICKEL)
2. MAX PANEL THICKNESS: .125
1. CONCENTRIC TWINAX TWO-PIN RIGHT ANGLE CIRCUIT BOARD AND BULKHEAD MOUNT RECEPTACLE

NOTES: UNLESS OTHERWISE SPECIFIED.

INTERPRET DRAWING PER MIL-STD-100. DIMENSIONS ARE IN INCHES AND INCLUDE FINISH THICKNESS UNLESS OTHERWISE SPECIFIED.

TOL: UNLESS SPECIFIED.
.XX ± .02
.XXX ± .010
ANGLE ± 1°



DRN	JCM	10-25-02	MATERIAL:	TITLE:
CHKD	DD	10-25-02	FINISH:	CBBJR39/A
QUALITY	[Signature]	10/29/02	SEE NOTE 3	
APPROVED	[Signature]	10/25/02		
PROVE FILE NO.	205-0069		DO NOT SCALE DWG	

SIZE	CAGE CODE	DRAWING NO.	REV.
A	14949	205-0069	D
SCALE	DATE	SHEET	IC
1/1	9-27-91		