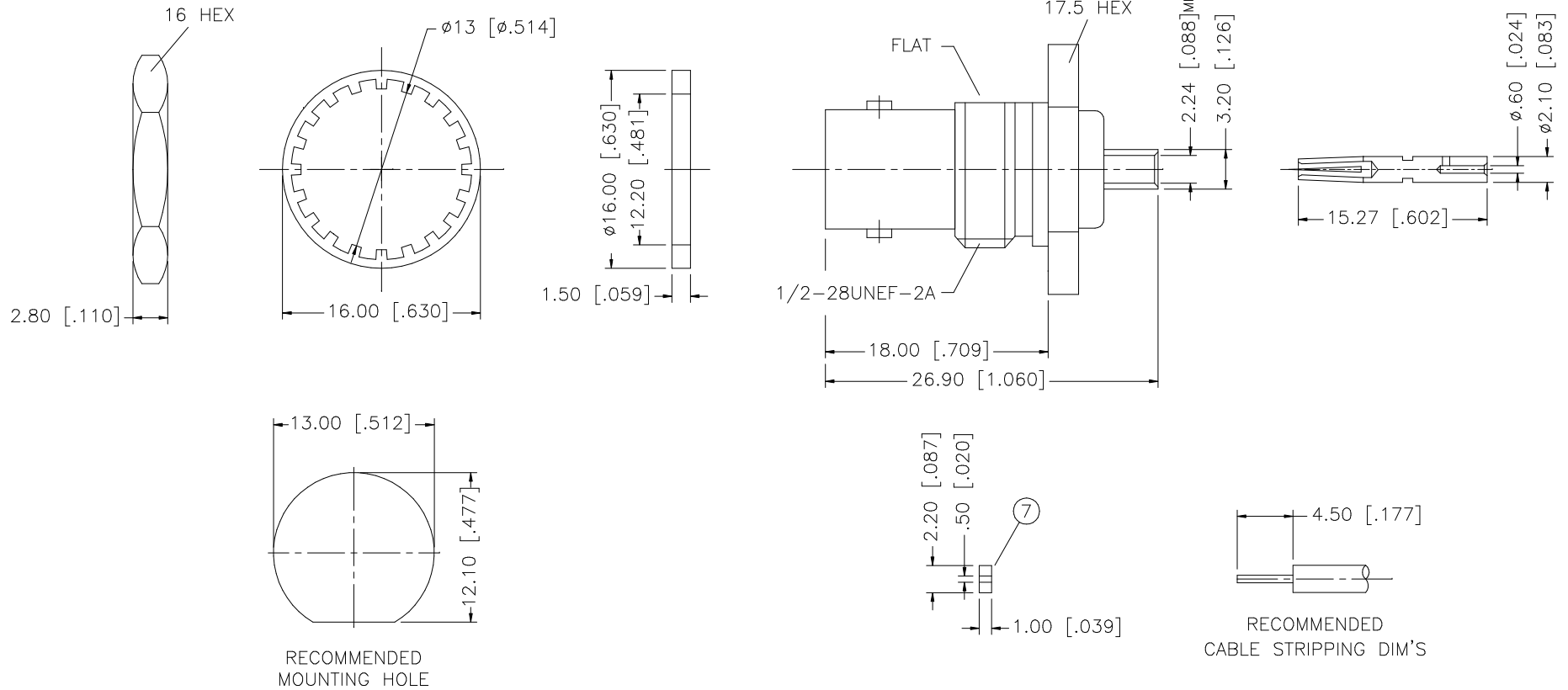


REV.	DATE	DESCRIPTION
A	10/08/03	MODIFY PART DIMENSIONS / UPDATE DRAWING FORMAT
B	01/24/06	ADD FLAT ON BODY THREAD AREA



QTY	DESCRIPTION	MATERIAL	FINISH
1	INSULATOR	TEFLON	NATURAL
1	HEX NUT	BRASS	NICKEL
1	LOCK WASHER	BRASS	NICKEL
1	GASKET	RUBBER	RED
1	CONTACT PIN	PHOS. BRONZE	GOLD
1	INSULATOR	TEFLON	NATURAL
1	BODY	BRASS	NICKEL

UNLESS OTHERWISE SPECIFIED DIMENSIONS ARE IN MILLIMETERS; DIMENSIONS IN [] ARE IN INCHES AND FOR CUSTOMER REFERENCE ONLY.
UNLESS OTHERWISE SPECIFIED TOLERANCES FOR MILLIMETERS ARE: 0.5 - 8mm ± 0.20mm 8 - 30mm ± 0.40mm 30 - 120mm ± 0.50mm
UNLESS OTHERWISE SPECIFIED TOLERANCES FOR INCHES ARE: .020 - .315 = ± 0.007" .315 - 1.180 = ± 0.015" 1.180 - 4.724 = ± 0.020"
DO NOT SCALE DRAWING

APPROVALS	DATE
DRAWN G.R.S.	01/24/06
CHECKED	
ISSUED	
SHEET 1 OF 1	
CAD FILE C:/112/112580.DWG	

Amphenol Connex	
PART DESCRIPTION	BNC BULKHEAD DIRECT SOLDER JACK (FOR .085", .086" CABLE)
PART NO.	112580
DWG. NO.	112580.DWG
REV.	B
SIZE	A
SCALE	NA