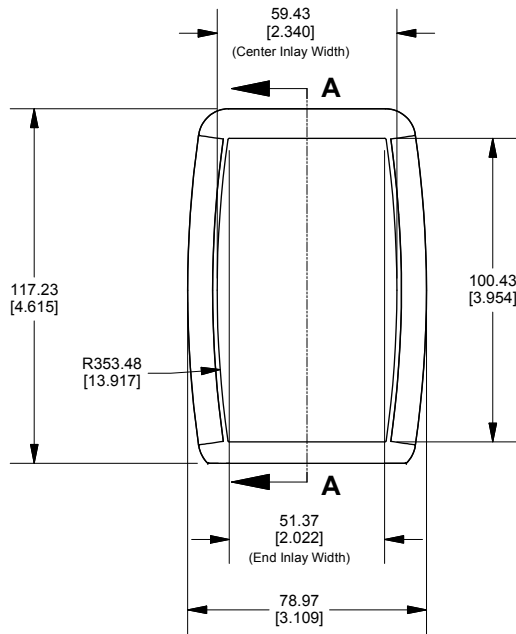
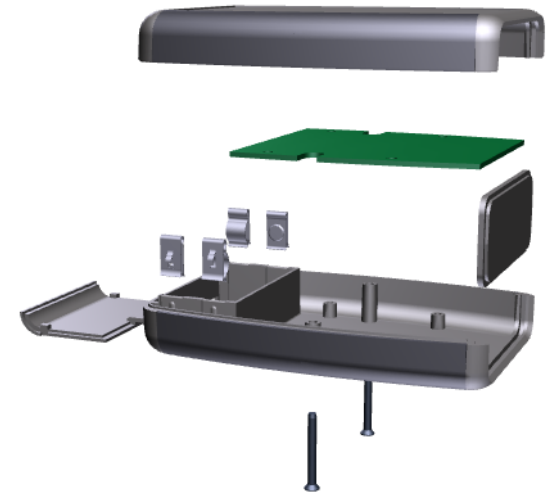
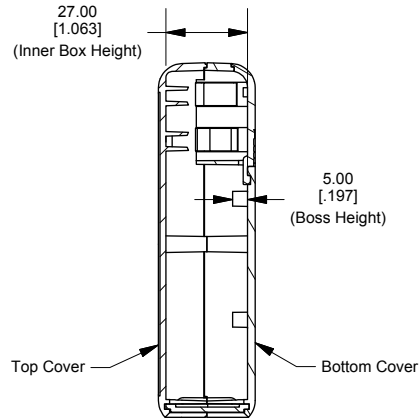


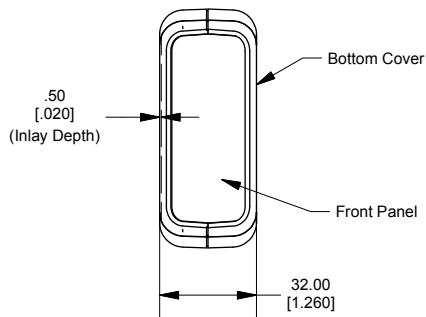
### Top View of Assembly



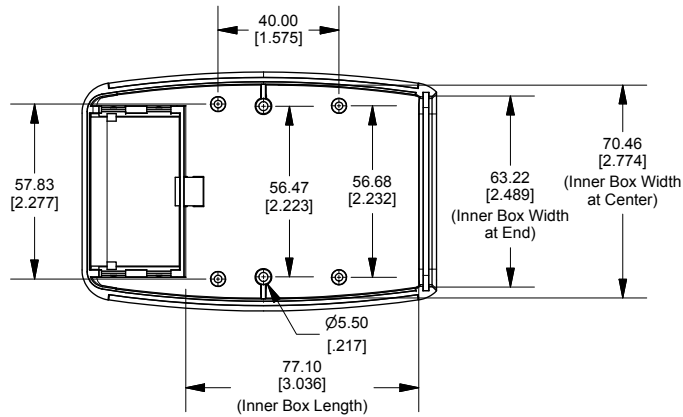
### SECTION A-A (Side View Inside Assembly)



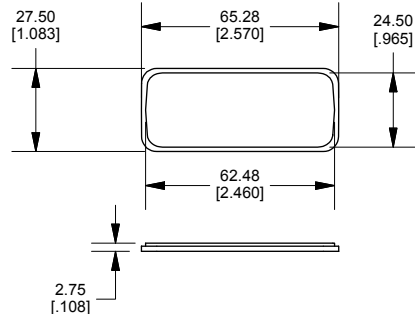
### End View of Assembly



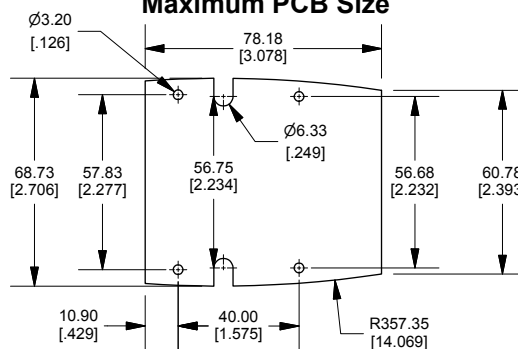
### Inside of Bottom Cover



### Front Panel



### Maximum PCB Size



Enclosures can be Factory Modified (Milling, Drilling, Printing etc.)  
Solid models of this enclosure available in STEP or IGES.  
Contact Factory [mjm@hammondmfg.com](mailto:mjm@hammondmfg.com)

NOTE	
Enclosure molded from GP ABS (UL94-HB) plastic.	
Purchased assembly includes top and bottom cover, front plastic panel, battery door, battery spring clips, 9V adapter and 4 cover screws.	

PART NUMBERS	
<b>1553C Enclosure</b>	
Black Enclosure/Grey Over-mold	1553CBKBAT
Grey Enclosure/Grey Over-mold	1553CGYBAT
ACCESSORIES	
Cover Screws (Pkg 100) [#4 x 1" self-tapping screw (25mm)]	Silver or Black
P.C. Board Screws [#4 x 1/4" self-tapping (6.4mm)]	1593ATS50 (Pkg 50) 1593ATS100 (Pkg 100)
Belt or Pocket Clip	1599CLIP (Black) 1599CLIPGY (Grey)

**HAMMOND  
MANUFACTURING™**

**1553C-BAT**

[www.hammondmfg.com](http://www.hammondmfg.com)